

## Surface Mount Multilayer Ceramic Chip Capacitors for Commodity Applications



### FEATURES

- Available from 0402 to 1210 body sizes
- Ultra stable C0G (NP0) dielectric
- High capacitance in X5R, X7R, Y5V
- For high frequency applications
- Ni-barrier with 100 % tin terminations
- Dry sheet technology process
- Noble Metal Electrode system (NME):  
For certain C0G (NP0) values
- Base Metal Electrode system (BME):  
For X5R, X7R, Y5V and certain C0G (NP0) values
- Material categorization: For definitions of compliance please see [www.vishay.com/doc?99912](http://www.vishay.com/doc?99912)



**RoHS**  
COMPLIANT  
HALOGEN  
**FREE**  
**GREEN**  
(5-2008)

### APPLICATIONS

- Consumer electronics
- Telecommunications
- Data processing
- Mobile applications

勝特力材料 886-3-5753170  
 勝特力电子(上海) 86-21-34970699  
 勝特力电子(深圳) 86-755-83298787  
[Http://www.100y.com.tw](http://www.100y.com.tw)

### ELECTRICAL SPECIFICATIONS

#### Operating Temperature:

C0G (NP0): -55 °C to +125 °C  
 X5R: -55 °C to +85 °C  
 X7R: -55 °C to +125 °C  
 Y5V: -25 °C to +85 °C

#### Capacitance Range:

C0G (NP0): 0.5 pF to 39 nF  
 X5R: 47 nF to 100 μF  
 X7R: 100 pF to 47 μF  
 Y5V: 10 nF to 100 μF

#### Voltage Range:

C0G (NP0): 10 V<sub>DC</sub> to 100 V<sub>DC</sub>  
 X5R: 6.3 V<sub>DC</sub> to 50 V<sub>DC</sub>  
 X7R: 10 V<sub>DC</sub> to 100 V<sub>DC</sub>  
 Y5V: 6.3 V<sub>DC</sub> to 100 V<sub>DC</sub>

#### Temperature Coefficient of Capacitance (TCC):

C0G (NP0): 0 ppm/°C ± 30 ppm/°C from -55 °C to +125 °C  
 X5R: ± 15 % from -55 °C to +85 °C without voltage applied  
 X7R: ± 15 % from -55 °C to +125 °C without voltage applied  
 Y5V: +30 %/-80 % from -25 °C to +85 °C without voltage applied

#### Insulation Resistance (IR) at U<sub>R</sub>:

≥ 10 GΩ or R x C ≥ 500 Ω x F whichever is less

#### Test Conditions for Capacitance Tolerance:

Preconditioning for X5R, X7R, Y5V MLCC: Perform a heat treatment at +150 °C ± 10 °C for 1 h, then leave in ambient condition for 24 h ± 2 h before measurement

#### Test Conditions for Capacitance and DF Measurement:

Measured at conditions of 30 % to 70 % related humidity.  
 C0G (NP0): Apply 1.0 V<sub>RMS</sub> ± 0.2 V<sub>RMS</sub>, 1.0 MHz ± 10 % for caps ≤ 1000 pF, at +25 °C ambient temperature  
 Apply 1.0 V<sub>RMS</sub> ± 0.2 V<sub>RMS</sub>, 1.0 kHz ± 10 % for caps > 1000 pF, at +25 °C ambient temperature  
 X5R/X7R: Caps ≤ 10 μF apply 1.0 V<sub>RMS</sub> ± 0.2 V<sub>RMS</sub>, 1.0 kHz ± 10 %, at +25 °C ambient temperature <sup>(1)</sup>  
 Caps > 10 μF apply 0.5 V<sub>RMS</sub> ± 0.2 V<sub>RMS</sub>, 120 Hz ± 20 %, at +25 °C ambient temperature  
 Y5V: Caps ≤ 10 μF apply 1.0 V<sub>RMS</sub> ± 0.2 V<sub>RMS</sub>, 1.0 kHz ± 10 %, at +20 °C ambient temperature  
 Caps > 10 μF apply 0.5 V<sub>RMS</sub> ± 0.2 V<sub>RMS</sub>, 120 Hz ± 20 %, at +20 °C ambient temperature

#### Note

- <sup>(1)</sup> Test conditions: 0.5 V<sub>RMS</sub> ± 0.2 V<sub>RMS</sub>, 1 kHz ± 10 %  
 X7R: 0603: ≥ 2.2 μF/10 V  
 0805: 10 μF (6.3 V and 10 V)  
 X5R: 0402: ≥ 4.7 μF/6.3 V and ≥ 2.2 μF/10 V  
 0603: 10 μF/6.3 V

#### Aging Rate:

C0G (NP0): 0 % per decade  
 X5R: 6.3 V<sub>DC</sub>/10 V<sub>DC</sub>: 3 % maximum per decade  
 16 V<sub>DC</sub>/25 V<sub>DC</sub>: 2 % maximum per decade  
 X7R: ≤ 10 V<sub>DC</sub>: 1.5 % maximum per decade  
 ≥ 16 V<sub>DC</sub>: 1 % maximum per decade  
 Y5V: 6.3 V<sub>DC</sub>: 12.5 % maximum per decade  
 10 V<sub>DC</sub>/16 V<sub>DC</sub>: 9 % maximum per decade  
 ≥ 25 V<sub>DC</sub>: 7 % maximum per decade

#### Dielectric Strength Test:

This is the maximum voltage the capacitors are tested 1 s to 5 s period and the charge/discharge current does not exceed 50 mA.  
 ≤ 100 V<sub>DC</sub>: 250 % of rated voltage



### Dissipation Factor (DF):

C0G (NP0): Cap. < 30 pF: Q ≥ 400 + 20C

Cap. ≥ 30 pF: Q ≥ 1000

X5R, X7R:

| RATED VOLTAGE | D.F. ≤ | EXCEPTION OF D.F. ≤ |   |
|---------------|--------|---------------------|---|
| ≥ 50 V        | 2.5 %  | 3 %                 | 0603 ≥ 0.047 μF; 0805 ≥ 0.18 μF; 1206 ≥ 0.47 μF                               |
|               |        | 5 %                 | 1210 ≥ 4.7 μF   |
|               |        | 10 %                | 0603 ≥ 1 μF; 0805 ≥ 1 μF; 1206 ≥ 2.2 μF; 1210 ≥ 10 μF                         |
| 25 V          | 3.5 %  | 5 %                 | 0805 ≥ 1 μF; 1210 ≥ 10 μF   |
|               |        | 7 %                 | 0603 ≥ 0.33 μF; 1206 ≥ 4.7 μF   |
|               |        | 10 %                | 0402 ≥ 0.10 μF; 0603 ≥ 0.47 μF; 0805 ≥ 2.2 μF; 1206 ≥ 6.8 μF; 1210 ≥ 22 μF    |
| 16 V          | 3.5 %  | 5 %                 | 0402 ≥ 0.033 μF; 0603 ≥ 0.15 μF; 0805 ≥ 0.68 μF; 1206 ≥ 2.2 μF; 1210 ≥ 4.7 μF |
|               |        | 10 %                | 0402 ≥ 0.22 μF; 0603 ≥ 0.68 μF; 0805 ≥ 2.2 μF; 1206 ≥ 4.7 μF; 1210 ≥ 22 μF    |
| 10 V          | 5 %    | 10 %                | 0402 ≥ 0.33 μF; 0603 ≥ 0.33 μF; 0805 ≥ 2.2 μF; 1206 ≥ 2.2 μF; 1210 ≥ 22 μF    |
|               |        | 15 %                | 0402 ≥ 1 μF   |
| 6.3 V         | 10 %   | 15 %                | 0402 ≥ 1 μF; 0603 ≥ 10 μF; 0805 ≥ 4.7 μF; 1206 ≥ 47 μF; 1210 ≥ 100 μF         |
|               |        | 20 %                | 0402 ≥ 2.2 μF   |

Y5V:

| RATED VOLTAGE      | D.F. ≤ | EXCEPTION OF D.F. ≤ |  |
|--------------------|--------|---------------------|--|
| ≥ 50 V             | 5 %    | 7 %                 | 0603 ≥ 0.1 μF; 0805 ≥ 0.47 μF; 1206 ≥ 4.7 μF                               |
| 35 V               | 7 %    | -                   | -  |
| 25 V               | 5 %    | 7 %                 | 0402 ≥ 0.047 μF; 0603 ≥ 0.1 μF; 0805 ≥ 0.33 μF; 1206 ≥ 1 μF; 1210 ≥ 4.7 μF |
|                    |        | 9 %                 | 0402 ≥ 0.068 μF; 0603 ≥ 0.47 μF; 1206 ≥ 4.7 μF; 1210 ≥ 22 μF               |
| 16 V<br>C < 1.0 μF | 7 %    | 9 %                 | 0402 ≥ 0.068 μF; 0603 ≥ 0.68 μF  |
|                    |        | 12.5 %              | 0402 ≥ 0.22 μF   |
| 16 V<br>C ≥ 1.0 μF | 9 %    | 12.5 %              | 0603 ≥ 2.2 μF; 0805 ≥ 3.3 μF; 1206 ≥ 10 μF; 1210 ≥ 22 μF                   |
|                    |        | 20 %                | 0402 ≥ 0.47 μF   |
| 6.3 V              | 20 %   | -                   | -  |

**勝特力材料 886-3-5753170**  
**勝特力电子(上海) 86-21-34970699**  
**勝特力电子(深圳) 86-755-83298787**  
[Http://www.100y.com.tw](http://www.100y.com.tw)

| QUICK REFERENCE DATA |      |                     |             |         |
|----------------------|------|---------------------|-------------|---------|
| DIELECTRIC           | CASE | MAXIMUM VOLTAGE (V) | CAPACITANCE |         |
|                      |      |                     | MINIMUM     | MAXIMUM |
| C0G (NP0)            | 0402 | 100                 | 0.5 pF      | 1.0 nF  |
|                      | 0603 | 100                 | 0.5 pF      | 3.3 nF  |
|                      | 0805 | 100                 | 0.5 pF      | 12 nF   |
|                      | 1206 | 100                 | 1.5 pF      | 39 nF   |
| X5R                  | 0402 | 25                  | 47 nF       | 10 μF   |
|                      | 0603 | 25                  | 220 nF      | 22 μF   |
|                      | 0805 | 25                  | 1.5 μF      | 47 μF   |
|                      | 1206 | 25                  | 1.5 μF      | 100 μF  |
|                      | 1210 | 16                  | 1.5 μF      | 100 μF  |
| X7R                  | 0402 | 50                  | 100 pF      | 220 nF  |
|                      | 0603 | 100                 | 100 pF      | 2.2 μF  |
|                      | 0805 | 100                 | 100 pF      | 10 μF   |
|                      | 1206 | 100                 | 150 pF      | 22 μF   |
|                      | 1210 | 100                 | 1.0 nF      | 47 μF   |
| Y5V                  | 0402 | 50                  | 10 nF       | 1.0 μF  |
|                      | 0603 | 50                  | 10 nF       | 4.7 μF  |
|                      | 0805 | 100                 | 10 nF       | 10 μF   |
|                      | 1206 | 100                 | 10 nF       | 22 μF   |
|                      | 1210 | 100                 | 10 nF       | 100 μF  |

**Note**

- Detail ratings see "Selection Chart"



| ORDERING INFORMATION                 |  |  |  |                                   |   |  |                                  |
|--------------------------------------|--|--|--|-----------------------------------|---|--|----------------------------------|
| VJ0402                               | Y  | 101  | J  | X                                 | Q   | C  | W1BC                             |
| SIZE CODE                            | DIELECTRIC                                     | CAPACITANCE  | TOLERANCE  | TERMINATION                       | VOLTAGE <sup>(1)</sup>  | PACKAGING  | PROCESS CODE FOR BASIC COMMODITY |
| 0402<br>0603<br>0805<br>1206<br>1210 | A = C0G (NP0)<br>G = X5R<br>Y = X7R<br>V = Y5V | Two significant digits followed by the number of zeros:<br>1R0 = 1.0 pF<br>101 = 100 pF<br>102 = 1000 pF<br>152 = 1500 pF<br>103 = 10 000 pF<br>104 = 100 000 pF | <b>C0G (NP0)</b><br>Cap. < 10 pF:<br>B = ± 0.10 pF<br>C = ± 0.25 pF<br>D = ± 0.50 pF<br><br>Cap. ≥ 10 pF:<br>F = ± 1 %<br>G = ± 2 %<br>J = ± 5 %<br>K = ± 10 %<br><br><b>X5R/X7R</b><br>J = ± 5 % <sup>(2)(3)</sup><br>K = ± 10 %<br>M = ± 20 %<br><br><b>Y5V</b><br>M = ± 20 %<br>Z = -20 %/<br>+80 % | X = Ni Barrier<br>100 % matte tin | S = 4 V<br>Y = 6.3 V<br>Q = 10 V<br>J = 16 V<br>X = 25 V<br>Z = 35 V<br>A = 50 V<br>B = 100 V | C = 7" reel/<br>paper tape<br>P = 13" reel/<br>paper tape<br>T = 7" reel/<br>plastic tape<br>R = 13" reel/<br>plastic tape |                                  |

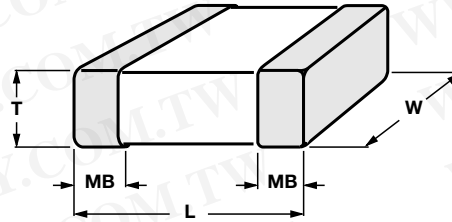
### Notes

- Detail rating see "Selection Chart"
- (1) DC voltage rating should not be exceeded in application. Other application factors may affect the MLCC performance. Consult for questions: [mlcc@vishay.com](mailto:mlcc@vishay.com)
- (2) Not all values, see selection chart X7R size 0603, 0805 and 1206
- (3) No 5 % tolerance for X5R

勝特力材料 886-3-5753170  
 勝特力电子(上海) 86-21-34970699  
 勝特力电子(深圳) 86-755-83298787  
[Http://www.100y.com.tw](http://www.100y.com.tw)



**DIMENSIONS** in inches (millimeters)



| SIZE CODE   | THICKNESS SYMBOL | L   | W   | T   | MB  |
|-------------|------------------|---|---|---|---|
| 0402 (1005) | N                | 0.040 ± 0.002<br>(1.00 ± 0.05)                | 0.020 ± 0.002<br>(0.50 ± 0.05)                | 0.020 ± 0.002<br>(0.50 ± 0.05)                | 0.010 + 0.002/- 0.004<br>(0.25 + 0.05/- 0.10) |
|             | E                | 0.040 ± 0.008<br>(1.00 ± 0.20)                | 0.020 ± 0.008<br>(0.50 ± 0.20)                | 0.020 ± 0.008<br>(0.50 ± 0.20)                |   |
| 0603 (1608) | S                | 0.063 ± 0.004<br>(1.60 ± 0.10)                | 0.030 ± 0.004<br>(0.80 ± 0.10)                | 0.030 ± 0.0028<br>(0.80 ± 0.07)               | 0.016 ± 0.006<br>(0.40 ± 0.15)                |
|             | X                | 0.063 + 0.006/- 0.004<br>(1.60 + 0.15/- 0.10) | 0.030 + 0.006/- 0.004<br>(0.80 + 0.15/- 0.10) | 0.030 + 0.006/- 0.004<br>(0.80 + 0.15/- 0.10) |   |
|             | X'               | 0.063 ± 0.008<br>(1.60 ± 0.20)                | 0.030 ± 0.008<br>(0.80 ± 0.20)                | 0.030 ± 0.008<br>(0.80 ± 0.20)                |   |
| 0805 (2012) | A                | 0.080 ± 0.006<br>(2.00 ± 0.15)                | 0.050 ± 0.004<br>(1.25 ± 0.10)                | 0.024 ± 0.004<br>(0.60 ± 0.10)                | 0.020 ± 0.008<br>(0.50 ± 0.20)                |
|             | B                |   |   | 0.030 ± 0.004<br>(0.80 ± 0.10)                |   |
|             | D                |   |   | 0.049 ± 0.004<br>(1.25 ± 0.10)                |   |
|             | I                |   |   | 0.049 ± 0.008<br>(1.25 ± 0.20)                |   |
| 1206 (3216) | B                | 0.126 ± 0.006<br>(3.20 ± 0.15)                | 0.063 ± 0.006<br>(1.60 ± 0.15)                | 0.030 ± 0.004<br>(0.80 ± 0.10)                | 0.024 ± 0.008<br>(0.60 ± 0.20)                |
|             | C                |   |   | 0.037 ± 0.004<br>(0.95 ± 0.10)                |   |
|             | D                |   |   | 0.049 ± 0.004<br>(1.25 ± 0.10)                |   |
|             | J                | 0.126 ± 0.008<br>(3.20 ± 0.20)                | 0.063 ± 0.008<br>(1.60 ± 0.20)                | 0.045 ± 0.006<br>(1.15 ± 0.15)                |   |
|             | G                | 0.063 ± 0.008<br>(1.60 ± 0.20)                |   | 0.063 ± 0.008<br>(1.60 ± 0.20)                |   |
|             | P                | 0.126 + 0.012/- 0.004<br>(3.20 + 0.30/- 0.10) |   | 0.063 + 0.012/- 0.004<br>(1.60 + 0.30/- 0.10) |   |
| 1210 (3225) | C                | 0.126 ± 0.012<br>(3.20 ± 0.30)                | 0.098 ± 0.008<br>(2.50 ± 0.20)                | 0.037 ± 0.004<br>(0.95 ± 0.10)                | 0.060 ± 0.010<br>(0.75 ± 0.25)                |
|             | D                |   |   | 0.049 ± 0.004<br>(1.25 ± 0.10)                |   |
|             | G                | 0.126 ± 0.016<br>(3.20 ± 0.40)                | 0.098 ± 0.012<br>(2.50 ± 0.30)                | 0.063 ± 0.008<br>(1.60 ± 0.20)                |   |
|             | K                |   |   | 0.078 ± 0.008<br>(2.00 ± 0.20)                |   |
|             | M                |   |   | 0.098 ± 0.012<br>(2.50 ± 0.30)                |   |

勝特力材料 886-3-5753170  
 勝特力电子(上海) 86-21-34970699  
 勝特力电子(深圳) 86-755-83298787  
[Http://www.100y.com.tw](http://www.100y.com.tw)



| SELECTION CHART            |        |                  |                  |                  |                  |                  |        |    |    |    |     |        |    |    |    |     |        |    |    |    |     |
|----------------------------|--------|------------------|------------------|------------------|------------------|------------------|--------|----|----|----|-----|--------|----|----|----|-----|--------|----|----|----|-----|
| DIELECTRIC                 |        | COG (NP0)        |                  |                  |                  |                  |        |    |    |    |     |        |    |    |    |     |        |    |    |    |     |
| STYLE                      |        | VJ0402           |                  |                  |                  |                  | VJ0603 |    |    |    |     | VJ0805 |    |    |    |     | VJ1206 |    |    |    |     |
| SIZE CODE                  |        | 0402             |                  |                  |                  |                  | 0603   |    |    |    |     | 0805   |    |    |    |     | 1206   |    |    |    |     |
| VOLTAGE (V <sub>DC</sub> ) |        | 10               | 16               | 25               | 50               | 100              | 10     | 16 | 25 | 50 | 100 | 10     | 16 | 25 | 50 | 100 | 10     | 16 | 25 | 50 | 100 |
| VOLTAGE CODE               |        | Q                | J                | X                | A                | B                | Q      | J  | X  | A  | B   | Q      | J  | X  | A  | B   | Q      | J  | X  | A  | B   |
| CAP. CODE                  | CAP.   |                  |                  |                  |                  |                  |        |    |    |    |     |        |    |    |    |     |        |    |    |    |     |
| 0R5                        | 0.5 pF | N <sup>(1)</sup> | N <sup>(1)</sup> | N <sup>(1)</sup> | N <sup>(1)</sup> | N <sup>(1)</sup> | S      | S  | S  | S  | S   | A      | A  | A  | A  | A   |        |    |    |    |     |
| 1R0                        | 1.0 pF | N <sup>(1)</sup> | N <sup>(1)</sup> | N <sup>(1)</sup> | N <sup>(1)</sup> | N <sup>(1)</sup> | S      | S  | S  | S  | S   | A      | A  | A  | A  | A   |        |    |    |    |     |
| 1R2                        | 1.2 pF | N <sup>(1)</sup> | N <sup>(1)</sup> | N <sup>(1)</sup> | N <sup>(1)</sup> | N <sup>(1)</sup> | S      | S  | S  | S  | S   | A      | A  | A  | A  | A   |        |    |    |    |     |
| 1R5                        | 1.5 pF | N <sup>(1)</sup> | N <sup>(1)</sup> | N <sup>(1)</sup> | N <sup>(1)</sup> | N <sup>(1)</sup> | S      | S  | S  | S  | S   | A      | A  | A  | A  | A   | B      | B  | B  | B  | B   |
| 1R8                        | 1.8 pF | N <sup>(1)</sup> | N <sup>(1)</sup> | N <sup>(1)</sup> | N <sup>(1)</sup> | N <sup>(1)</sup> | S      | S  | S  | S  | S   | A      | A  | A  | A  | A   | B      | B  | B  | B  | B   |
| 2R2                        | 2.2 pF | N <sup>(1)</sup> | N <sup>(1)</sup> | N <sup>(1)</sup> | N <sup>(1)</sup> | N <sup>(1)</sup> | S      | S  | S  | S  | S   | A      | A  | A  | A  | A   | B      | B  | B  | B  | B   |
| 2R7                        | 2.7 pF | N <sup>(1)</sup> | N <sup>(1)</sup> | N <sup>(1)</sup> | N <sup>(1)</sup> | N <sup>(1)</sup> | S      | S  | S  | S  | S   | A      | A  | A  | A  | A   | B      | B  | B  | B  | B   |
| 3R3                        | 3.3 pF | N <sup>(1)</sup> | N <sup>(1)</sup> | N <sup>(1)</sup> | N <sup>(1)</sup> | N <sup>(1)</sup> | S      | S  | S  | S  | S   | A      | A  | A  | A  | A   | B      | B  | B  | B  | B   |
| 3R9                        | 3.9 pF | N <sup>(1)</sup> | N <sup>(1)</sup> | N <sup>(1)</sup> | N <sup>(1)</sup> | N <sup>(1)</sup> | S      | S  | S  | S  | S   | A      | A  | A  | A  | A   | B      | B  | B  | B  | B   |
| 4R7                        | 4.7 pF | N <sup>(1)</sup> | N <sup>(1)</sup> | N <sup>(1)</sup> | N <sup>(1)</sup> | N <sup>(1)</sup> | S      | S  | S  | S  | S   | A      | A  | A  | A  | A   | B      | B  | B  | B  | B   |
| 5R6                        | 5.6 pF | N <sup>(1)</sup> | N <sup>(1)</sup> | N <sup>(1)</sup> | N <sup>(1)</sup> | N <sup>(1)</sup> | S      | S  | S  | S  | S   | A      | A  | A  | A  | A   | B      | B  | B  | B  | B   |
| 6R8                        | 6.8 pF | N <sup>(1)</sup> | N <sup>(1)</sup> | N <sup>(1)</sup> | N <sup>(1)</sup> | N <sup>(1)</sup> | S      | S  | S  | S  | S   | A      | A  | A  | A  | A   | B      | B  | B  | B  | B   |
| 8R2                        | 8.2 pF | N <sup>(1)</sup> | N <sup>(1)</sup> | N <sup>(1)</sup> | N <sup>(1)</sup> | N <sup>(1)</sup> | S      | S  | S  | S  | S   | A      | A  | A  | A  | A   | B      | B  | B  | B  | B   |
| 100                        | 10 pF  | N                | N                | N                | N                | N                | S      | S  | S  | S  | S   | A      | A  | A  | A  | A   | B      | B  | B  | B  | B   |
| 120                        | 12 pF  | N                | N                | N                | N                | N                | S      | S  | S  | S  | S   | A      | A  | A  | A  | A   | B      | B  | B  | B  | B   |
| 150                        | 15 pF  | N                | N                | N                | N                | N                | S      | S  | S  | S  | S   | A      | A  | A  | A  | A   | B      | B  | B  | B  | B   |
| 180                        | 18 pF  | N                | N                | N                | N                | N                | S      | S  | S  | S  | S   | A      | A  | A  | A  | A   | B      | B  | B  | B  | B   |
| 220                        | 22 pF  | N                | N                | N                | N                | N                | S      | S  | S  | S  | S   | A      | A  | A  | A  | A   | B      | B  | B  | B  | B   |
| 270                        | 27 pF  | N                | N                | N                | N                | N                | S      | S  | S  | S  | S   | A      | A  | A  | A  | A   | B      | B  | B  | B  | B   |
| 330                        | 33 pF  | N                | N                | N                | N                | N                | S      | S  | S  | S  | S   | A      | A  | A  | A  | A   | B      | B  | B  | B  | B   |
| 390                        | 39 pF  | N                | N                | N                | N                | N                | S      | S  | S  | S  | S   | A      | A  | A  | A  | A   | B      | B  | B  | B  | B   |
| 470                        | 47 pF  | N                | N                | N                | N                | N                | S      | S  | S  | S  | S   | A      | A  | A  | A  | A   | B      | B  | B  | B  | B   |
| 560                        | 56 pF  | N                | N                | N                | N                | N                | S      | S  | S  | S  | S   | A      | A  | A  | A  | A   | B      | B  | B  | B  | B   |
| 680                        | 68 pF  | N                | N                | N                | N                | N                | S      | S  | S  | S  | S   | A      | A  | A  | A  | A   | B      | B  | B  | B  | B   |
| 820                        | 82 pF  | N                | N                | N                | N                | N                | S      | S  | S  | S  | S   | A      | A  | A  | A  | A   | B      | B  | B  | B  | B   |
| 101                        | 100 pF | N                | N                | N                | N                | N                | S      | S  | S  | S  | S   | A      | A  | A  | A  | A   | B      | B  | B  | B  | B   |
| 121                        | 120 pF | N                | N                | N                | N                | N                | S      | S  | S  | S  | S   | A      | A  | A  | A  | A   | B      | B  | B  | B  | B   |
| 151                        | 150 pF | N                | N                | N                | N                | N                | S      | S  | S  | S  | S   | A      | A  | A  | A  | A   | B      | B  | B  | B  | B   |
| 181                        | 180 pF | N                | N                | N                | N                | N                | S      | S  | S  | S  | S   | A      | A  | A  | A  | A   | B      | B  | B  | B  | B   |
| 221                        | 220 pF | N                | N                | N                | N                | N                | S      | S  | S  | S  | S   | A      | A  | A  | A  | A   | B      | B  | B  | B  | B   |
| 271                        | 270 pF | N                | N                | N                | N                |                  | S      | S  | S  | S  | S   | A      | A  | A  | A  | A   | B      | B  | B  | B  | B   |
| 331                        | 330 pF | N                | N                | N                | N                |                  | S      | S  | S  | S  | S   | A      | A  | A  | A  | A   | B      | B  | B  | B  | B   |
| 391                        | 390 pF | N                | N                | N                | N                |                  | S      | S  | S  | S  | S   | B      | B  | B  | B  | B   | B      | B  | B  | B  | B   |
| 471                        | 470 pF | N                | N                | N                | N                |                  | S      | S  | S  | S  | S   | B      | B  | B  | B  | B   | B      | B  | B  | B  | B   |
| 561                        | 560 pF | N                | N                | N                | N                |                  | S      | S  | S  | S  | S   | B      | B  | B  | B  | B   | B      | B  | B  | B  | B   |
| 681                        | 680 pF | N                | N                | N                | N                |                  | S      | S  | S  | S  | S   | B      | B  | B  | B  | B   | B      | B  | B  | B  | B   |
| 821                        | 820 pF | N                | N                | N                | N                |                  | S      | S  | S  | S  | S   | B      | B  | B  | B  | B   | B      | B  | B  | B  | B   |

**Notes**

- Letters indicate product thickness, see packaging quantities
- (1) Indicate product with Ag/Ni/Sn termination

胜特力材料 886-3-5753170  
 胜特力电子(上海) 86-21-34970699  
 胜特力电子(深圳) 86-755-83298787  
[Http://www.100y.com.tw](http://www.100y.com.tw)



| SELECTION CHART            |        |           |    |    |    |     |        |    |    |    |     |                  |                  |    |    |     |                  |                  |    |    |     |
|----------------------------|--------|-----------|----|----|----|-----|--------|----|----|----|-----|------------------|------------------|----|----|-----|------------------|------------------|----|----|-----|
| DIELECTRIC                 |        | COG (NP0) |    |    |    |     |        |    |    |    |     |                  |                  |    |    |     |                  |                  |    |    |     |
| STYLE                      |        | VJ0402    |    |    |    |     | VJ0603 |    |    |    |     | VJ0805           |                  |    |    |     | VJ1206           |                  |    |    |     |
| SIZE CODE                  |        | 0402      |    |    |    |     | 0603   |    |    |    |     | 0805             |                  |    |    |     | 1206             |                  |    |    |     |
| VOLTAGE (V <sub>DC</sub> ) |        | 10        | 16 | 25 | 50 | 100 | 10     | 16 | 25 | 50 | 100 | 10               | 16               | 25 | 50 | 100 | 10               | 16               | 25 | 50 | 100 |
| VOLTAGE CODE               |        | Q         | J  | X  | A  | B   | Q      | J  | X  | A  | B   | Q                | J                | X  | A  | B   | Q                | J                | X  | A  | B   |
| CAP. CODE                  | CAP.   |           |    |    |    |     |        |    |    |    |     |                  |                  |    |    |     |                  |                  |    |    |     |
| 102                        | 1.0 nF | N         | N  | N  | N  |     | S      | S  | S  | S  | S   | B                | B                | B  | B  | B   | B                | B                | B  | B  | B   |
| 122                        | 1.2 nF |           |    |    |    |     | X      | X  | X  | X  |     | B                | B                | B  | B  | B   | B                | B                | B  | B  | B   |
| 152                        | 1.5 nF |           |    |    |    |     | X      | X  | X  | X  |     | B                | B                | B  | B  | B   | B                | B                | B  | B  | B   |
| 182                        | 1.8 nF |           |    |    |    |     | X      | X  | X  | X  |     | B                | B                | B  | B  | B   | B                | B                | B  | B  | B   |
| 222                        | 2.2 nF |           |    |    |    |     | X      | X  | X  | X  |     | B                | B                | B  | B  | B   | B                | B                | B  | B  | B   |
| 272                        | 2.7 nF |           |    |    |    |     | X      | X  | X  | X  |     | D                | D                | D  | D  | D   | B                | B                | B  | B  | B   |
| 332                        | 3.3 nF |           |    |    |    |     | X      | X  | X  | X  |     | D                | D                | D  | D  | D   | B                | B                | B  | B  | B   |
| 392                        | 3.9 nF |           |    |    |    |     |        |    |    |    |     | D                | D                | D  | D  | D   | B                | B                | B  | B  | B   |
| 472                        | 4.7 nF |           |    |    |    |     |        |    |    |    |     | D                | D                | D  | D  | D   | B                | B                | B  | B  | B   |
| 562                        | 5.6 nF |           |    |    |    |     |        |    |    |    |     | D                | D                | D  | D  |     | B                | B                | B  | B  | B   |
| 682                        | 6.8 nF |           |    |    |    |     |        |    |    |    |     | D                | D                | D  | D  |     | C                | C                | C  | C  | C   |
| 822                        | 8.2 nF |           |    |    |    |     |        |    |    |    |     | D                | D                | D  | D  |     | D                | D                | D  | D  | D   |
| 103                        | 10 nF  |           |    |    |    |     |        |    |    |    |     | D                | D                | D  | D  |     | D                | D                | D  | D  | D   |
| 123                        | 12 nF  |           |    |    |    |     |        |    |    |    |     | D <sup>(1)</sup> | D <sup>(1)</sup> |    |    |     | D <sup>(1)</sup> | D <sup>(1)</sup> |    |    |     |
| 153                        | 15 nF  |           |    |    |    |     |        |    |    |    |     |                  |                  |    |    |     | D <sup>(1)</sup> | D <sup>(1)</sup> |    |    |     |
| 183                        | 18 nF  |           |    |    |    |     |        |    |    |    |     |                  |                  |    |    |     | D <sup>(1)</sup> | D <sup>(1)</sup> |    |    |     |
| 223                        | 22 nF  |           |    |    |    |     |        |    |    |    |     |                  |                  |    |    |     | D <sup>(1)</sup> | D <sup>(1)</sup> |    |    |     |
| 273                        | 27 nF  |           |    |    |    |     |        |    |    |    |     |                  |                  |    |    |     | D <sup>(1)</sup> | D <sup>(1)</sup> |    |    |     |
| 333                        | 33 nF  |           |    |    |    |     |        |    |    |    |     |                  |                  |    |    |     | D <sup>(1)</sup> | D <sup>(1)</sup> |    |    |     |
| 393                        | 39 nF  |           |    |    |    |     |        |    |    |    |     |                  |                  |    |    |     | G <sup>(1)</sup> | G <sup>(1)</sup> |    |    |     |
| 473                        | 47 nF  |           |    |    |    |     |        |    |    |    |     |                  |                  |    |    |     |                  |                  |    |    |     |
| 563                        | 56 nF  |           |    |    |    |     |        |    |    |    |     |                  |                  |    |    |     |                  |                  |    |    |     |
| 683                        | 68 nF  |           |    |    |    |     |        |    |    |    |     |                  |                  |    |    |     |                  |                  |    |    |     |
| 823                        | 82 nF  |           |    |    |    |     |        |    |    |    |     |                  |                  |    |    |     |                  |                  |    |    |     |
| 104                        | 100 nF |           |    |    |    |     |        |    |    |    |     |                  |                  |    |    |     |                  |                  |    |    |     |

**Notes**

- Letters indicate product thickness, see packaging quantities
- <sup>(1)</sup> Indicate product with Ag/Ni/Sn termination

**勝特力材料 886-3-5753170**  
**勝特力电子(上海) 86-21-34970699**  
**勝特力电子(深圳) 86-755-83298787**  
[Http://www.100y.com.tw](http://www.100y.com.tw)



勝特力材料 886-3-5753170  
 勝特力电子(上海) 86-21-34970699  
 勝特力电子(深圳) 86-755-83298787  
 Http://www.100y.com.tw

www.vishay.com

# VJ....W1BC Basic Commodity Series

Vishay

| SELECTION CHART            |        |        |      |      |      |      |                  |      |      |      |      |                  |                  |      |                  |      |
|----------------------------|--------|--------|------|------|------|------|------------------|------|------|------|------|------------------|------------------|------|------------------|------|
| DIELECTRIC                 |        | X5R    |      |      |      |      |                  |      |      |      |      |                  |                  |      |                  |      |
| STYLE                      |        | VJ0402 |      |      |      |      | VJ0603           |      |      |      |      | VJ0805           |                  |      |                  |      |
| SIZE CODE                  |        | 0402   |      |      |      |      | 0603             |      |      |      |      | 0805             |                  |      |                  |      |
| VOLTAGE (V <sub>DC</sub> ) |        | 6.3 V  | 10 V | 16 V | 25 V | 50 V | 6.3 V            | 10 V | 16 V | 25 V | 50 V | 6.3 V            | 10 V             | 16 V | 25 V             | 50 V |
| VOLTAGE CODE               |        | Y      | Q    | J    | X    | A    | Y                | Q    | J    | X    | A    | Y                | Q                | J    | X                | A    |
| CAP. CODE                  | CAP.   |        |      |      |      |      |                  |      |      |      |      |                  |                  |      |                  |      |
| 473                        | 47 nF  |        |      | N    |      |      |                  |      |      |      |      |                  |                  |      |                  |      |
| 563                        | 56 nF  |        | N    |      |      |      |                  |      |      |      |      |                  |                  |      |                  |      |
| 683                        | 68 nF  |        | N    | N    |      |      |                  |      |      |      |      |                  |                  |      |                  |      |
| 823                        | 82 nF  | N      | N    | N    |      |      |                  |      |      |      |      |                  |                  |      |                  |      |
| 104                        | 100 nF | N      | N    | N    | N    |      |                  |      |      |      |      |                  |                  |      |                  |      |
| 124                        | 120 nF |        |      |      |      |      |                  |      |      |      |      |                  |                  |      |                  |      |
| 154                        | 150 nF |        | N    |      | N    |      |                  |      |      |      |      |                  |                  |      |                  |      |
| 184                        | 180 nF |        |      |      |      |      |                  |      |      |      |      |                  |                  |      |                  |      |
| 224                        | 220 nF | N      | N    | N    | N    |      |                  | X    | X    |      |      |                  |                  |      |                  |      |
| 274                        | 270 nF |        |      |      |      |      | X                | X    |      |      |      |                  |                  |      |                  |      |
| 334                        | 330 nF | N      | N    |      |      |      | X                | X    | X    |      |      |                  |                  |      |                  |      |
| 394                        | 390 nF |        |      |      |      |      | X                | X    |      |      |      |                  |                  |      |                  |      |
| 474                        | 470 nF | N      | N    |      |      |      | X                | X    | X    |      |      |                  |                  |      |                  |      |
| 564                        | 560 nF |        |      |      |      |      |                  |      |      |      |      |                  |                  |      |                  |      |
| 684                        | 680 nF | N      | N    |      |      |      | X                | X    | X    |      |      |                  |                  |      |                  |      |
| 824                        | 820 nF |        |      |      |      |      | X                | X    | X    |      |      |                  |                  |      |                  |      |
| 105                        | 1.0 μF | N      | N    | N    |      |      | X                | X    | X    | X    | X    |                  |                  |      |                  |      |
| 155                        | 1.5 μF |        |      |      |      |      | X                |      |      |      |      | I                | I                | I    |                  |      |
| 225                        | 2.2 μF | N      | N    |      |      |      | X                | X    | X    | X    |      | I                | I                | I    | I                |      |
| 335                        | 3.3 μF |        |      |      |      |      |                  |      |      |      |      | I                | I                | I    | I                |      |
| 475                        | 4.7 μF | E      |      |      |      |      | X                | X    | X    |      |      | I                | I                | I    | I                |      |
| 106                        | 10 μF  | E      |      |      |      |      | X <sup>(1)</sup> | X    |      |      |      | I                | I                | I    | I <sup>(1)</sup> |      |
| 226                        | 22 μF  |        |      |      |      |      | X <sup>(1)</sup> |      |      |      |      | I <sup>(1)</sup> | I <sup>(1)</sup> |      |                  |      |
| 476                        | 47 μF  |        |      |      |      |      |                  |      |      |      |      | I <sup>(1)</sup> |                  |      |                  |      |
| 686                        | 68 μF  |        |      |      |      |      |                  |      |      |      |      |                  |                  |      |                  |      |
| 107                        | 100 μF |        |      |      |      |      |                  |      |      |      |      |                  |                  |      |                  |      |

**Notes**

- Letters indicate product thickness, see packaging quantities
- <sup>(1)</sup> Not in 10 % (code “K”) tolerance

| SELECTION CHART            |        |                  |                  |      |      |                  |                  |                  |      |      |      |
|----------------------------|--------|------------------|------------------|------|------|------------------|------------------|------------------|------|------|------|
| DIELECTRIC                 |        | X5R              |                  |      |      |                  |                  |                  |      |      |      |
| STYLE                      |        | VJ1206           |                  |      |      |                  | VJ1210           |                  |      |      |      |
| SIZE CODE                  |        | 1206             |                  |      |      |                  | 1210             |                  |      |      |      |
| VOLTAGE (V <sub>DC</sub> ) |        | 6.3 V            | 10 V             | 16 V | 25 V | 50 V             | 6.3 V            | 10 V             | 16 V | 25 V | 50 V |
| VOLTAGE CODE               |        | Y                | Q                | J    | X    | A                | Y                | Q                | J    | X    | A    |
| CAP. CODE                  | CAP.   |                  |                  |      |      |                  |                  |                  |      |      |      |
| 105                        | 1.0 μF |                  |                  |      |      |                  |                  |                  |      |      |      |
| 155                        | 1.5 μF |                  | J                | J    |      |                  |                  | K                | K    |      |      |
| 225                        | 2.2 μF |                  | J                | J    | P    |                  |                  | K                | K    |      |      |
| 335                        | 3.3 μF |                  | P                | P    | P    |                  |                  |                  |      |      |      |
| 475                        | 4.7 μF | P                | P                | P    | P    | P <sup>(1)</sup> |                  | K                | K    | K    |      |
| 685                        | 6.8 μF | P                | P                |      |      |                  |                  |                  |      |      |      |
| 106                        | 10 μF  | P                | P                | P    | P    |                  |                  | K                | K    | K    | M    |
| 226                        | 22 μF  | P                | P                | P    |      |                  | M                | M                | M    | M    |      |
| 476                        | 47 μF  | P <sup>(1)</sup> | P <sup>(1)</sup> |      |      |                  | M                | M                | M    |      |      |
| 107                        | 100 μF | P <sup>(1)</sup> |                  |      |      |                  | M <sup>(1)</sup> | M <sup>(1)</sup> |      |      |      |

**Notes**

- Letters indicate product thickness, see packaging quantities
- <sup>(1)</sup> Not in 10 % (code “K”) tolerance



| SELECTION CHART            |        |                  |      |      |      |       |                  |                  |                  |                  |                  |                  |                  |                  |                  |                  |
|----------------------------|--------|------------------|------|------|------|-------|------------------|------------------|------------------|------------------|------------------|------------------|------------------|------------------|------------------|------------------|
| DIELECTRIC                 |        | X7R              |      |      |      |       |                  |                  |                  |                  |                  |                  |                  |                  |                  |                  |
| STYLE                      |        | VJ0402           |      |      |      |       | VJ0603           |                  |                  |                  |                  | VJ0805           |                  |                  |                  |                  |
| SIZE CODE                  |        | 0402             |      |      |      |       | 0603             |                  |                  |                  |                  | 0805             |                  |                  |                  |                  |
| VOLTAGE (V <sub>DC</sub> ) |        | 10 V             | 16 V | 25 V | 50 V | 100 V | 10 V             | 16 V             | 25 V             | 50 V             | 100 V            | 10 V             | 16 V             | 25 V             | 50 V             | 100 V            |
| VOLTAGE CODE               |        | Q                | J    | X    | A    | B     | Q                | J                | X                | A                | B                | Q                | J                | X                | A                | B                |
| CAP. CODE                  | CAP.   |                  |      |      |      |       |                  |                  |                  |                  |                  |                  |                  |                  |                  |                  |
| 101                        | 100 pF | N                | N    | N    | N    |       | S <sup>(1)</sup> | S <sup>(1)</sup> | S <sup>(1)</sup> | S <sup>(1)</sup> | S <sup>(1)</sup> | B <sup>(1)</sup> | B <sup>(1)</sup> | B <sup>(1)</sup> | B <sup>(1)</sup> | B <sup>(1)</sup> |
| 121                        | 120 pF | N                | N    | N    | N    |       | S <sup>(1)</sup> | S <sup>(1)</sup> | S <sup>(1)</sup> | S <sup>(1)</sup> | S <sup>(1)</sup> | B <sup>(1)</sup> | B <sup>(1)</sup> | B <sup>(1)</sup> | B <sup>(1)</sup> | B <sup>(1)</sup> |
| 151                        | 150 pF | N                | N    | N    | N    |       | S <sup>(1)</sup> | S <sup>(1)</sup> | S <sup>(1)</sup> | S <sup>(1)</sup> | S <sup>(1)</sup> | B <sup>(1)</sup> | B <sup>(1)</sup> | B <sup>(1)</sup> | B <sup>(1)</sup> | B <sup>(1)</sup> |
| 181                        | 180 pF | N                | N    | N    | N    |       | S <sup>(1)</sup> | S <sup>(1)</sup> | S <sup>(1)</sup> | S <sup>(1)</sup> | S <sup>(1)</sup> | B <sup>(1)</sup> | B <sup>(1)</sup> | B <sup>(1)</sup> | B <sup>(1)</sup> | B <sup>(1)</sup> |
| 221                        | 220 pF | N                | N    | N    | N    |       | S <sup>(1)</sup> | S <sup>(1)</sup> | S <sup>(1)</sup> | S <sup>(1)</sup> | S <sup>(1)</sup> | B <sup>(1)</sup> | B <sup>(1)</sup> | B <sup>(1)</sup> | B <sup>(1)</sup> | B <sup>(1)</sup> |
| 271                        | 270 pF | N                | N    | N    | N    |       | S <sup>(1)</sup> | S <sup>(1)</sup> | S <sup>(1)</sup> | S <sup>(1)</sup> | S <sup>(1)</sup> | B <sup>(1)</sup> | B <sup>(1)</sup> | B <sup>(1)</sup> | B <sup>(1)</sup> | B <sup>(1)</sup> |
| 331                        | 330 pF | N                | N    | N    | N    |       | S <sup>(1)</sup> | S <sup>(1)</sup> | S <sup>(1)</sup> | S <sup>(1)</sup> | S <sup>(1)</sup> | B <sup>(1)</sup> | B <sup>(1)</sup> | B <sup>(1)</sup> | B <sup>(1)</sup> | B <sup>(1)</sup> |
| 391                        | 390 pF | N                | N    | N    | N    |       | S <sup>(1)</sup> | S <sup>(1)</sup> | S <sup>(1)</sup> | S <sup>(1)</sup> | S <sup>(1)</sup> | B <sup>(1)</sup> | B <sup>(1)</sup> | B <sup>(1)</sup> | B <sup>(1)</sup> | B <sup>(1)</sup> |
| 471                        | 470 pF | N                | N    | N    | N    |       | S                | S                | S                | S                | S                | B                | B                | B                | B                | B                |
| 561                        | 560 pF | N                | N    | N    | N    |       | S                | S                | S                | S                | S                | B                | B                | B                | B                | B                |
| 681                        | 680 pF | N                | N    | N    | N    |       | S                | S                | S                | S                | S                | B                | B                | B                | B                | B                |
| 821                        | 820 pF | N                | N    | N    | N    |       | S                | S                | S                | S                | S                | B                | B                | B                | B                | B                |
| 102                        | 1.0 nF | N                | N    | N    | N    |       | S                | S                | S                | S                | S                | B                | B                | B                | B                | B                |
| 122                        | 1.2 nF | N                | N    | N    | N    |       | S                | S                | S                | S                | S                | B                | B                | B                | B                | B                |
| 152                        | 1.5 nF | N                | N    | N    | N    |       | S                | S                | S                | S                | S                | B                | B                | B                | B                | B                |
| 182                        | 1.8 nF | N                | N    | N    | N    |       | S                | S                | S                | S                | S                | B                | B                | B                | B                | B                |
| 222                        | 2.2 nF | N                | N    | N    | N    |       | S                | S                | S                | S                | S                | B                | B                | B                | B                | B                |
| 272                        | 2.7 nF | N                | N    | N    | N    |       | S                | S                | S                | S                | S                | B                | B                | B                | B                | B                |
| 332                        | 3.3 nF | N                | N    | N    | N    |       | S                | S                | S                | S                | S                | B                | B                | B                | B                | B                |
| 392                        | 3.9 nF | N                | N    | N    | N    |       | S                | S                | S                | S                | S                | B                | B                | B                | B                | B                |
| 472                        | 4.7 nF | N                | N    | N    | N    |       | S                | S                | S                | S                | S                | B                | B                | B                | B                | B                |
| 562                        | 5.6 nF | N                | N    | N    | N    |       | S                | S                | S                | S                | S                | B                | B                | B                | B                | B                |
| 682                        | 6.8 nF | N                | N    | N    | N    |       | S                | S                | S                | S                | S                | B                | B                | B                | B                | B                |
| 822                        | 8.2 nF | N                | N    | N    | N    |       | S                | S                | S                | S                | S                | B                | B                | B                | B                | B                |
| 103                        | 10 nF  | N                | N    | N    | N    |       | S                | S                | S                | S                | S                | B                | B                | B                | B                | B                |
| 123                        | 12 nF  | N                | N    | N    |      |       | S                | S                | S                | S                |                  | B                | B                | B                | B                | B                |
| 153                        | 15 nF  | N                | N    | N    |      |       | S                | S                | S                | S                |                  | B                | B                | B                | B                | B                |
| 183                        | 18 nF  | N                | N    | N    |      |       | S                | S                | S                | S                |                  | B                | B                | B                | B                | B                |
| 223                        | 22 nF  | N                | N    | N    |      |       | S                | S                | S                | S                |                  | B                | B                | B                | B                | B                |
| 273                        | 27 nF  | N                | N    | N    |      |       | S                | S                | S                | S                |                  | B                | B                | B                | B                | D                |
| 333                        | 33 nF  | N                | N    | N    |      |       | S                | S                | S                | X                |                  | B                | B                | B                | B                | D                |
| 393                        | 39 nF  | N                | N    | N    |      |       | S                | S                | S                | X                |                  | B                | B                | B                | B                | D                |
| 473                        | 47 nF  | N                | N    | N    |      |       | S                | S                | S                | X                |                  | B                | B                | B                | B                | D                |
| 563                        | 56 nF  | N                | N    |      |      |       | S                | S                | S                | X                |                  | B                | B                | B                | B                | D                |
| 683                        | 68 nF  | N                | N    |      |      |       | S                | S                | S                | X                |                  | B                | B                | B                | B                | D                |
| 823                        | 82 nF  | N                | N    |      |      |       | S                | S                | S                | X                |                  | B                | B                | B                | B                | D                |
| 104                        | 100 nF | N                | N    | N    |      |       | S                | S                | S                | X                |                  | B                | B                | B                | B/D              | D                |
| 124                        | 120 nF |                  |      |      |      |       | S                | S                | X                |                  |                  | B                | B                | B                | D                |                  |
| 154                        | 150 nF |                  |      |      |      |       | S                | S                | X                |                  |                  | D                | D                | D                | D                |                  |
| 184                        | 180 nF |                  |      |      |      |       | S                | S                | X                |                  |                  | D                | D                | D                | D                |                  |
| 224                        | 220 nF | N <sup>(2)</sup> | N    |      |      |       | S                | S                | X                |                  |                  | D                | D                | D                | D                |                  |
| 274                        | 270 nF |                  |      |      |      |       | X                | X                | X                |                  |                  | D                | D                | D                |                  |                  |
| 334                        | 330 nF |                  |      |      |      |       | X                | X                | X                |                  |                  | D                | D                | D                | I                |                  |
| 394                        | 390 nF |                  |      |      |      |       | X                | X                | X                |                  |                  | D                | D                | D                |                  |                  |
| 474                        | 470 nF |                  |      |      |      |       | X                | X                | X                |                  |                  | D                | D                | D                | I                |                  |
| 564                        | 560 nF |                  |      |      |      |       | X                | X                |                  |                  |                  | D                | D                | D                |                  |                  |
| 684                        | 680 nF |                  |      |      |      |       | X                | X                |                  |                  |                  | D                | D                | D                |                  |                  |
| 824                        | 820 nF |                  |      |      |      |       | X                | X                |                  |                  |                  | D                | D                | D                |                  |                  |
| 105                        | 1.0 μF |                  |      |      |      |       | X                | X                | X <sup>(1)</sup> |                  |                  | D                | D                | D                | I <sup>(1)</sup> |                  |
| 155                        | 1.5 μF |                  |      |      |      |       |                  |                  |                  |                  |                  | I                | I <sup>(1)</sup> | I <sup>(1)</sup> |                  |                  |
| 225                        | 2.2 μF |                  |      |      |      |       | X <sup>(1)</sup> |                  |                  |                  |                  | I                | I                | I                |                  |                  |
| 335                        | 3.3 μF |                  |      |      |      |       |                  |                  |                  |                  |                  |                  |                  |                  |                  |                  |
| 475                        | 4.7 μF |                  |      |      |      |       |                  |                  |                  |                  |                  | I <sup>(1)</sup> | I <sup>(1)</sup> |                  |                  |                  |
| 685                        | 6.8 μF |                  |      |      |      |       |                  |                  |                  |                  |                  |                  |                  |                  |                  |                  |
| 106                        | 10 μF  |                  |      |      |      |       |                  |                  |                  |                  |                  | I <sup>(1)</sup> |                  |                  |                  |                  |
| 156                        | 15 μF  |                  |      |      |      |       |                  |                  |                  |                  |                  |                  |                  |                  |                  |                  |
| 226                        | 22 μF  |                  |      |      |      |       |                  |                  |                  |                  |                  |                  |                  |                  |                  |                  |
| 336                        | 33 μF  |                  |      |      |      |       |                  |                  |                  |                  |                  |                  |                  |                  |                  |                  |
| 476                        | 47 μF  |                  |      |      |      |       |                  |                  |                  |                  |                  |                  |                  |                  |                  |                  |
| 686                        | 68 μF  |                  |      |      |      |       |                  |                  |                  |                  |                  |                  |                  |                  |                  |                  |

**Notes**

- Letters indicate product thickness, see packaging quantities
- (1) Not in 5 % (code "J") tolerance
- (2) Only in 10 % (code "K") tolerance

勝特力材料 886-3-5753170  
 勝特力电子(上海) 86-21-34970699  
 勝特力电子(深圳) 86-755-83298787  
[Http://www.100y.com.tw](http://www.100y.com.tw)



勝特力材料 886-3-5753170  
 勝特力电子(上海) 86-21-34970699  
 勝特力电子(深圳) 86-755-83298787  
 Http://www.100y.com.tw

www.vishay.com

# VJ....W1BC Basic Commodity Series

Vishay

| SELECTION CHART            |        |                  |                  |                  |                  |                  |                  |                  |                  |                  |       |
|----------------------------|--------|------------------|------------------|------------------|------------------|------------------|------------------|------------------|------------------|------------------|-------|
| DIELECTRIC                 |        | X7R              |                  |                  |                  |                  |                  |                  |                  |                  |       |
| STYLE                      |        | VJ1206           |                  |                  |                  |                  | VJ1210           |                  |                  |                  |       |
| SIZE CODE                  |        | 1206             |                  |                  |                  |                  | 1210             |                  |                  |                  |       |
| VOLTAGE (V <sub>DC</sub> ) |        | 10 V             | 16 V             | 25 V             | 50 V             | 100 V            | 10 V             | 16 V             | 25 V             | 50 V             | 100 V |
| VOLTAGE CODE               |        | Q                | J                | X                | A                | B                | Q                | J                | X                | A                | B     |
| CAP. CODE                  | CAP.   |                  |                  |                  |                  |                  |                  |                  |                  |                  |       |
| 101                        | 100 pF |                  |                  |                  |                  |                  |                  |                  |                  |                  |       |
| 121                        | 120 pF |                  |                  |                  |                  |                  |                  |                  |                  |                  |       |
| 151                        | 150 pF | B <sup>(1)</sup> | B <sup>(1)</sup> | B <sup>(1)</sup> | B <sup>(1)</sup> | B <sup>(1)</sup> |                  |                  |                  |                  |       |
| 181                        | 180 pF | B <sup>(1)</sup> | B <sup>(1)</sup> | B <sup>(1)</sup> | B <sup>(1)</sup> | B <sup>(1)</sup> |                  |                  |                  |                  |       |
| 221                        | 220 pF | B <sup>(1)</sup> | B <sup>(1)</sup> | B <sup>(1)</sup> | B <sup>(1)</sup> | B <sup>(1)</sup> |                  |                  |                  |                  |       |
| 271                        | 270 pF | B <sup>(1)</sup> | B <sup>(1)</sup> | B <sup>(1)</sup> | B <sup>(1)</sup> | B <sup>(1)</sup> |                  |                  |                  |                  |       |
| 331                        | 330 pF | B <sup>(1)</sup> | B <sup>(1)</sup> | B <sup>(1)</sup> | B <sup>(1)</sup> | B <sup>(1)</sup> |                  |                  |                  |                  |       |
| 391                        | 390 pF | B <sup>(1)</sup> | B <sup>(1)</sup> | B <sup>(1)</sup> | B <sup>(1)</sup> | B <sup>(1)</sup> |                  |                  |                  |                  |       |
| 471                        | 470 pF | B                | B                | B                | B                | B                |                  |                  |                  |                  |       |
| 561                        | 560 pF | B                | B                | B                | B                | B                |                  |                  |                  |                  |       |
| 681                        | 680 pF | B                | B                | B                | B                | B                |                  |                  |                  |                  |       |
| 821                        | 820 pF | B                | B                | B                | B                | B                |                  |                  |                  |                  |       |
| 102                        | 1.0 nF | B                | B                | B                | B                | B                | C                | C                | C                | C                | C     |
| 122                        | 1.2 nF | B                | B                | B                | B                | B                | C                | C                | C                | C                | C     |
| 152                        | 1.5 nF | B                | B                | B                | B                | B                | C                | C                | C                | C                | C     |
| 182                        | 1.8 nF | B                | B                | B                | B                | B                | C                | C                | C                | C                | C     |
| 222                        | 2.2 nF | B                | B                | B                | B                | B                | C                | C                | C                | C                | C     |
| 272                        | 2.7 nF | B                | B                | B                | B                | B                | C                | C                | C                | C                | C     |
| 332                        | 3.3 nF | B                | B                | B                | B                | B                | C                | C                | C                | C                | C     |
| 392                        | 3.9 nF | B                | B                | B                | B                | B                | C                | C                | C                | C                | C     |
| 472                        | 4.7 nF | B                | B                | B                | B                | B                | C                | C                | C                | C                | C     |
| 562                        | 5.6 nF | B                | B                | B                | B                | B                | C                | C                | C                | C                | C     |
| 682                        | 6.8 nF | B                | B                | B                | B                | B                | C                | C                | C                | C                | C     |
| 822                        | 8.2 nF | B                | B                | B                | B                | B                | C                | C                | C                | C                | C     |
| 103                        | 10 nF  | B                | B                | B                | B                | B                | C                | C                | C                | C                | C     |
| 123                        | 12 nF  | B                | B                | B                | B                | B                | C                | C                | C                | C                | C     |
| 153                        | 15 nF  | B                | B                | B                | B                | B                | C                | C                | C                | C                | C     |
| 183                        | 18 nF  | B                | B                | B                | B                | B                | C                | C                | C                | C                | C     |
| 223                        | 22 nF  | B                | B                | B                | B                | B                | C                | C                | C                | C                | C     |
| 273                        | 27 nF  | B                | B                | B                | B                | B                | C                | C                | C                | C                | C     |
| 333                        | 33 nF  | B                | B                | B                | B                | B                | C                | C                | C                | C                | C     |
| 393                        | 39 nF  | B                | B                | B                | B                | B                | C                | C                | C                | C                | C     |
| 473                        | 47 nF  | B                | B                | B                | B                | B                | C                | C                | C                | C                | C     |
| 563                        | 56 nF  | B                | B                | B                | B                | B                | C                | C                | C                | C                | C     |
| 683                        | 68 nF  | B                | B                | B                | B                | B                | C                | C                | C                | C                | C     |
| 823                        | 82 nF  | B                | B                | B                | B                | D                | C                | C                | C                | C                | C     |
| 104                        | 100 nF | B                | B                | B                | B                | D                | C                | C                | C                | C                | C     |
| 124                        | 120 nF | B                | B                | B                | B                | D                | C                | C                | C                | C                | C     |
| 154                        | 150 nF | C                | C                | C                | C                | G                | C                | C                | C                | C                | D     |
| 184                        | 180 nF | C                | C                | C                | C                | G                | C                | C                | C                | C                | D     |
| 224                        | 220 nF | C                | C                | C                | C                | G                | C                | C                | C                | C                | D     |
| 274                        | 270 nF | C                | C                | C                | D                | G                | C                | C                | C                | C                | G     |
| 334                        | 330 nF | C                | C                | C                | D                | G                | C                | C                | C                | D                | G     |
| 394                        | 390 nF | C                | C                | J                | P                | G                | C                | C                | C                | D                | M     |
| 474                        | 470 nF | J                | J                | P                | P                | G                | C                | C                | C                | D                | M     |
| 564                        | 560 nF | J                | J                | J                | P                | P                | D                | D                | D                | D                | M     |
| 684                        | 680 nF | J                | J                | J                | P                | P                | D                | D                | D                | D                | K     |
| 824                        | 820 nF | J                | J                | J                | P                | P                | D                | D                | D                | D                | K     |
| 105                        | 1.0 μF | J                | J                | J                | P                | P                | D                | D                | D                | D                | K     |
| 155                        | 1.5 μF | J                | J                | P                |                  |                  |                  |                  |                  |                  | M     |
| 225                        | 2.2 μF | J                | J                | P                | P <sup>(1)</sup> |                  |                  | K                | G                |                  | M     |
| 335                        | 3.3 μF | P                | P                | P                |                  |                  |                  |                  | G <sup>(1)</sup> |                  |       |
| 475                        | 4.7 μF | P                | P                | P                | P <sup>(1)</sup> |                  | K                | K                | K <sup>(1)</sup> | M <sup>(1)</sup> |       |
| 685                        | 6.8 μF |                  |                  |                  |                  |                  |                  |                  |                  |                  |       |
| 106                        | 10 μF  | P                | P <sup>(1)</sup> | P <sup>(1)</sup> |                  |                  | K                | K                | K <sup>(1)</sup> | M <sup>(1)</sup> |       |
| 156                        | 15 μF  |                  |                  |                  |                  |                  |                  |                  |                  |                  |       |
| 226                        | 22 μF  | P <sup>(1)</sup> |                  |                  |                  |                  |                  | M <sup>(2)</sup> | M <sup>(2)</sup> |                  |       |
| 336                        | 33 μF  |                  |                  |                  |                  |                  |                  |                  |                  |                  |       |
| 476                        | 47 μF  |                  |                  |                  |                  |                  | M <sup>(1)</sup> |                  |                  |                  |       |
| 686                        | 68 μF  |                  |                  |                  |                  |                  |                  |                  |                  |                  |       |
| 107                        | 100 μF |                  |                  |                  |                  |                  |                  |                  |                  |                  |       |

**Notes**

- Letters indicate product thickness, see packaging quantities
- (1) Not in 5 % (code "J") tolerance
- (2) Only in 20 % (code "M") tolerance



| SELECTION CHART            |        |        |      |      |                  |      |       |        |      |      |      |       |      |        |      |      |       |
|----------------------------|--------|--------|------|------|------------------|------|-------|--------|------|------|------|-------|------|--------|------|------|-------|
| DIELECTRIC                 |        | Y5V    |      |      |                  |      |       |        |      |      |      |       |      |        |      |      |       |
| STYLE                      |        | VJ0402 |      |      |                  |      |       | VJ0603 |      |      |      |       |      | VJ0805 |      |      |       |
| SIZE CODE                  |        | 0402   |      |      |                  |      |       | 0603   |      |      |      |       |      | 0805   |      |      |       |
| VOLTAGE (V <sub>DC</sub> ) |        | 6.3 V  | 10 V | 16 V | 25 V             | 50 V | 100 V | 10 V   | 16 V | 25 V | 50 V | 100 V | 10 V | 16 V   | 25 V | 50 V | 100 V |
| VOLTAGE CODE               |        | Y      | Q    | J    | X                | A    | B     | Q      | J    | X    | A    | B     | Q    | J      | X    | A    | B     |
| CAP. CODE                  | CAP.   |        |      |      |                  |      |       |        |      |      |      |       |      |        |      |      |       |
| 102                        | 1.0 nF |        |      |      |                  |      |       |        |      |      |      |       |      |        |      |      |       |
| 122                        | 1.2 nF |        |      |      |                  |      |       |        |      |      |      |       |      |        |      |      |       |
| 152                        | 1.5 nF |        |      |      |                  |      |       |        |      |      |      |       |      |        |      |      |       |
| 182                        | 1.8 nF |        |      |      |                  |      |       |        |      |      |      |       |      |        |      |      |       |
| 222                        | 2.2 nF |        |      |      |                  |      |       |        |      |      |      |       |      |        |      |      |       |
| 272                        | 2.7 nF |        |      |      |                  |      |       |        |      |      |      |       |      |        |      |      |       |
| 332                        | 3.3 nF |        |      |      |                  |      |       |        |      |      |      |       |      |        |      |      |       |
| 392                        | 3.9 nF |        |      |      |                  |      |       |        |      |      |      |       |      |        |      |      |       |
| 472                        | 4.7 nF |        |      |      |                  |      |       |        |      |      |      |       |      |        |      |      |       |
| 562                        | 5.6 nF |        |      |      |                  |      |       |        |      |      |      |       |      |        |      |      |       |
| 682                        | 6.8 nF |        |      |      |                  |      |       |        |      |      |      |       |      |        |      |      |       |
| 822                        | 8.2 nF |        |      |      |                  |      |       |        |      |      |      |       |      |        |      |      |       |
| 103                        | 10 nF  |        | N    | N    | N                | N    |       | S      | S    | S    | S    |       | A    | A      | A    | A    | B     |
| 123                        | 12 nF  |        | N    | N    | N                | N    |       | S      | S    | S    | S    |       | A    | A      | A    | A    |       |
| 153                        | 15 nF  |        | N    | N    | N                | N    |       | S      | S    | S    | S    |       | A    | A      | A    | A    | B     |
| 183                        | 18 nF  |        | N    | N    | N                | N    |       | S      | S    | S    | S    |       | A    | A      | A    | A    |       |
| 223                        | 22 nF  |        | N    | N    | N                | N    |       | S      | S    | S    | S    |       | A    | A      | A    | A    | B     |
| 273                        | 27 nF  |        | N    | N    | N                | N    |       | S      | S    | S    | S    |       | A    | A      | A    | A    |       |
| 333                        | 33 nF  |        | N    | N    | N                | N    |       | S      | S    | S    | S    |       | A    | A      | A    | A    | B     |
| 393                        | 39 nF  |        | N    | N    | N                |      |       | S      | S    | S    | S    |       | A    | A      | A    | A    |       |
| 473                        | 47 nF  |        | N    | N    | N                |      |       | S      | S    | S    | S    |       | A    | A      | A    | A    | B     |
| 563                        | 56 nF  |        | N    | N    | N <sup>(1)</sup> |      |       | S      | S    | S    | S    |       | A    | A      | A    | A    |       |
| 683                        | 68 nF  |        | N    | N    | N                |      |       | S      | S    | S    | S    |       | A    | A      | A    | A    | B     |
| 823                        | 82 nF  |        | N    | N    |                  |      |       | S      | S    | S    | S    |       | A    | A      | A    | A    |       |
| 104                        | 100 nF |        | N    | N    | N                |      |       | S      | S    | S    | S    |       | A    | A      | A    | A    | B     |
| 154                        | 150 nF |        | N    |      |                  |      |       | S      | S    | S    | S    |       | A    | A      | A    | A    |       |
| 224                        | 220 nF | N      | N    |      |                  |      |       | S      | S    | S    | S    |       | A    | A      | A    | A    |       |
| 334                        | 330 nF | N      | N    |      |                  |      |       | S      | S    | S    |      |       | B    | B      | B    | B    |       |
| 474                        | 470 nF | N      | N    |      |                  |      |       | S      | S    | X    | S    |       | B    | B      | B    | B    |       |
| 684                        | 680 nF | N      |      |      |                  |      |       | S      | X    |      |      |       | B    | B      | D    | D    |       |
| 105                        | 1.0 μF | N      | N    |      |                  |      |       | S      | X    | X    |      |       | B    | B      | D    | D    |       |
| 155                        | 1.5 μF |        |      |      |                  |      |       | S      |      |      |      |       | D    | D      |      |      |       |
| 225                        | 2.2 μF |        |      |      |                  |      |       | S      | X    |      |      |       | D    | D      | I    |      |       |
| 335                        | 3.3 μF |        |      |      |                  |      |       |        |      |      |      |       | D    | D      |      |      |       |
| 475                        | 4.7 μF |        |      |      |                  |      |       | X      |      |      |      |       | D    | D      | I    |      |       |
| 685                        | 6.8 μF |        |      |      |                  |      |       |        |      |      |      |       | I    |        |      |      |       |
| 106                        | 10 μF  |        |      |      |                  |      |       |        |      |      |      |       | I    | I      |      |      |       |
| 226                        | 22 μF  |        |      |      |                  |      |       |        |      |      |      |       |      |        |      |      |       |
| 336                        | 33 μF  |        |      |      |                  |      |       |        |      |      |      |       |      |        |      |      |       |
| 476                        | 47 μF  |        |      |      |                  |      |       |        |      |      |      |       |      |        |      |      |       |
| 686                        | 68 μF  |        |      |      |                  |      |       |        |      |      |      |       |      |        |      |      |       |
| 107                        | 100 μF |        |      |      |                  |      |       |        |      |      |      |       |      |        |      |      |       |

**Notes**

- Letters indicate product thickness, please see packaging quantities
- (1) Not in 20 % (code "M") tolerance

勝特力材料 886-3-5753170  
 勝特力电子(上海) 86-21-34970699  
 勝特力电子(深圳) 86-755-83298787  
[Http://www.100y.com.tw](http://www.100y.com.tw)



勝特力材料 886-3-5753170  
 勝特力电子(上海) 86-21-34970699  
 勝特力电子(深圳) 86-755-83298787  
[Http://www.100y.com.tw](http://www.100y.com.tw)

[www.vishay.com](http://www.vishay.com)

# VJ....W1BC Basic Commodity Series

Vishay

| SELECTION CHART            |        |        |      |      |      |                  |       |        |      |      |      |      |      |       |
|----------------------------|--------|--------|------|------|------|------------------|-------|--------|------|------|------|------|------|-------|
| DIELECTRIC                 |        | Y5V    |      |      |      |                  |       |        |      |      |      |      |      |       |
| STYLE                      |        | VJ1206 |      |      |      |                  |       | VJ1210 |      |      |      |      |      |       |
| SIZE CODE                  |        | 1206   |      |      |      |                  |       | 1210   |      |      |      |      |      |       |
| VOLTAGE (V <sub>DC</sub> ) |        | 10 V   | 16 V | 25 V | 35 V | 50 V             | 100 V | 6.3 V  | 10 V | 16 V | 25 V | 35 V | 50 V | 100 V |
| VOLTAGE CODE               |        | Q      | J    | X    | Z    | A                | B     | Y      | Q    | J    | X    | Z    | A    | B     |
| CAP. CODE                  | CAP.   |        |      |      |      |                  |       |        |      |      |      |      |      |       |
| 102                        | 1.0 nF |        |      |      |      |                  |       |        |      |      |      |      |      |       |
| 122                        | 1.2 nF |        |      |      |      |                  |       |        |      |      |      |      |      |       |
| 152                        | 1.5 nF |        |      |      |      |                  |       |        |      |      |      |      |      |       |
| 182                        | 1.8 nF |        |      |      |      |                  |       |        |      |      |      |      |      |       |
| 222                        | 2.2 nF |        |      |      |      |                  |       |        |      |      |      |      |      |       |
| 272                        | 2.7 nF |        |      |      |      |                  |       |        |      |      |      |      |      |       |
| 332                        | 3.3 nF |        |      |      |      |                  |       |        |      |      |      |      |      |       |
| 392                        | 3.9 nF |        |      |      |      |                  |       |        |      |      |      |      |      |       |
| 472                        | 4.7 nF |        |      |      |      |                  |       |        |      |      |      |      |      |       |
| 562                        | 5.6 nF |        |      |      |      |                  |       |        |      |      |      |      |      |       |
| 682                        | 6.8 nF |        |      |      |      |                  |       |        |      |      |      |      |      |       |
| 822                        | 8.2 nF |        |      |      |      |                  |       |        |      |      |      |      |      |       |
| 103                        | 10 nF  | B      | B    | B    |      | B                | B     |        |      |      |      |      |      | C     |
| 123                        | 12 nF  | B      | B    | B    |      | B                |       |        |      |      |      |      |      |       |
| 153                        | 15 nF  | B      | B    | B    |      | B                | B     |        |      |      |      |      |      | C     |
| 183                        | 18 nF  | B      | B    | B    |      | B                |       |        |      |      |      |      |      |       |
| 223                        | 22 nF  | B      | B    | B    |      | B                | B     |        |      |      |      |      |      | C     |
| 273                        | 27 nF  | B      | B    | B    |      | B                |       |        |      |      |      |      |      |       |
| 333                        | 33 nF  | B      | B    | B    |      | B                | B     |        |      |      |      |      |      | C     |
| 393                        | 39 nF  | B      | B    | B    |      | B                |       |        |      |      |      |      |      |       |
| 473                        | 47 nF  | B      | B    | B    |      | B                | B     |        |      |      |      |      |      | C     |
| 563                        | 56 nF  | B      | B    | B    |      | B                |       |        |      |      |      |      |      |       |
| 683                        | 68 nF  | B      | B    | B    |      | B                | B     |        |      |      |      |      |      | C     |
| 823                        | 82 nF  | B      | B    | B    |      | B                |       |        |      |      |      |      |      |       |
| 104                        | 100 nF | B      | B    | B    |      | B                | B     |        | C    | C    | C    |      | C    | C     |
| 154                        | 150 nF | B      | B    | B    |      | B                | C     |        | C    | C    | C    |      | C    | C     |
| 224                        | 220 nF | B      | B    | B    |      | B                | C     |        | C    | C    | C    |      | C    | C     |
| 334                        | 330 nF | B      | B    | B    |      | B                |       |        | C    | C    | C    |      | C    | C     |
| 474                        | 470 nF | B      | B    | B    |      | B                |       |        | C    | C    | C    |      | C    |       |
| 684                        | 680 nF | B      | B    | B    |      | B                |       |        | C    | C    | C    |      | C    |       |
| 105                        | 1.0 μF | C      | C    | C    |      | C                |       |        | C    | C    | C    |      | C    |       |
| 155                        | 1.5 μF | C      | C    | C    |      |                  |       |        | C    | C    | C    |      |      |       |
| 225                        | 2.2 μF | C      | C    | C    |      | J <sup>(1)</sup> |       |        | C    | C    | C    |      | G    |       |
| 335                        | 3.3 μF | J      | J    | J    |      |                  |       |        | C    | C    | C    |      |      |       |
| 475                        | 4.7 μF | J      | J    | J    | J    | P                |       |        | C    | C    | D    |      | G    |       |
| 685                        | 6.8 μF | J      | J    |      |      |                  |       |        | C    | C    | D    |      |      |       |
| 106                        | 10 μF  | J      | J    | P    |      |                  |       |        | D    | D    | G    | K    |      |       |
| 226                        | 22 μF  | P      |      |      |      |                  |       |        | K    | K    |      |      |      |       |
| 336                        | 33 μF  |        |      |      |      |                  |       |        |      |      |      |      |      |       |
| 476                        | 47 μF  |        |      |      |      |                  |       | K      | K    |      |      |      |      |       |
| 686                        | 68 μF  |        |      |      |      |                  |       |        |      |      |      |      |      |       |
| 107                        | 100 μF |        |      |      |      |                  |       | M      |      |      |      |      |      |       |

**Notes**

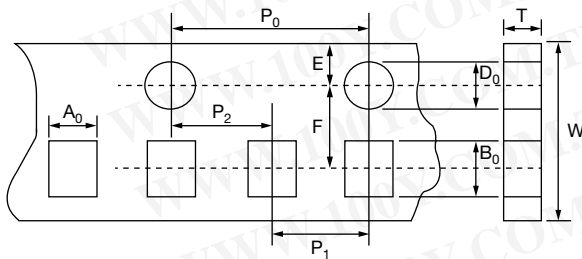
- Letters indicate product thickness, please see packaging quantities
- (1) Not in 20 % (code "M") tolerance



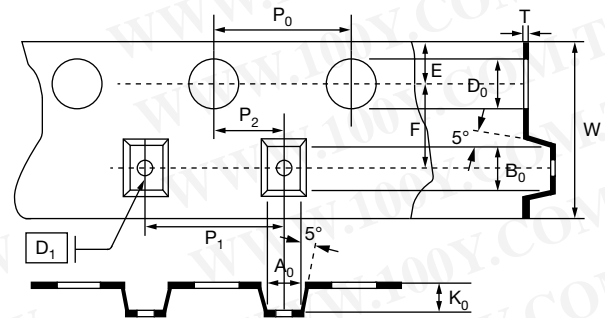
| PACKAGING QUANTITIES   |                        |                     |             |              |              |              |
|------------------------|------------------------|---------------------|-------------|--------------|--------------|--------------|
| SIZE CODE<br>(inch/mm) | MAX. THICKNESS<br>(mm) | THICKNESS<br>SYMBOL | PAPER TAPE  |              | PLASTIC TAPE |              |
|                        |                        |                     | 7" REEL (C) | 13" REEL (P) | 7" REEL (T)  | 13" REEL (R) |
| 0402 (1002)            | 0.55                   | N                   | 10K         | 50K          |              |              |
|                        | 0.70                   | E                   | 10K         |              |              |              |
| 0603 (1608)            | 0.87                   | S                   | 4K          | 15K          |              |              |
|                        | 0.95                   | X                   | 4K          | 15K          |              |              |
|                        | 1.00                   | X'                  | 4K          | 15K          |              |              |
| 0805 (2012)            | 0.75                   | A                   | 4K          | 15K          |              |              |
|                        | 0.95                   | B                   | 4K          | 15K          |              |              |
|                        | 1.40                   | D                   |             |              | 3K           | 10K          |
|                        | 1.45                   | I                   |             |              | 3K           | 10K          |
| 1206 (3216)            | 0.95                   | B                   | 4K          | 15K          |              |              |
|                        | 1.05                   | C                   |             |              | 3K           | 10K          |
|                        | 1.30                   | J                   |             |              | 3K           | 10K          |
|                        | 1.35                   | D                   |             |              | 3K           | 10K          |
|                        | 1.80                   | G                   |             |              | 2K           |              |
|                        | 1.90                   | P                   |             |              | 2K           |              |
| 1210 (3225)            | 1.05                   | C                   |             |              | 3K           | 10K          |
|                        | 1.35                   | D                   |             |              | 3K           | 10K          |
|                        | 1.80                   | G                   |             |              | 2K           |              |
|                        | 2.20                   | K                   |             |              | 1K           |              |
|                        | 2.80                   | M                   |             |              | 1K           |              |

勝特力材料 886-3-5753170  
 勝特力电子(上海) 86-21-34970699  
 勝特力电子(深圳) 86-755-83298787  
[Http://www.100y.com.tw](http://www.100y.com.tw)

## TAPE AND REEL SPECIFICATION



Dimensions of paper tape



Dimensions of plastic tape

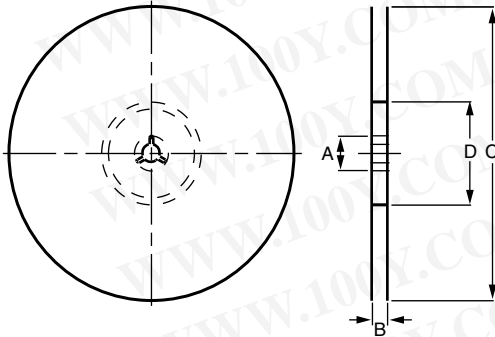
| DIMENSIONS PAPER TAPE in millimeters |             |             |             |             |             |             |
|--------------------------------------|-------------|-------------|-------------|-------------|-------------|-------------|
| SIZE CODE                            | 0402        |             | 0603        | 0805        |             | 1206        |
| THICKNESS                            | N           | E           | S, X, X'    | A           | B           | B           |
| A <sub>0</sub>                       | 0.62 ± 0.05 | 0.70 ± 0.10 | 1.02 ± 0.05 | 1.50 ± 0.10 | 1.50 ± 0.10 | 2.00 ± 0.10 |
| B <sub>0</sub>                       | 1.12 ± 0.05 | 1.20 ± 0.10 | 1.80 ± 0.05 | 2.30 ± 0.10 | 2.30 ± 0.10 | 3.50 ± 0.10 |
| T                                    | 0.60 ± 0.05 | 0.70 ± 0.10 | 0.95 ± 0.05 | 0.75 ± 0.05 | 0.95 ± 0.05 | 0.95 ± 0.05 |
| K <sub>0</sub>                       | -           | -           | -           | -           | -           | -           |
| W                                    | 8.00 ± 0.10 | 8.00 ± 0.10 | 8.00 ± 0.10 | 8.00 ± 0.10 | 8.00 ± 0.10 | 8.00 ± 0.10 |
| P <sub>0</sub>                       | 4.00 ± 0.10 | 4.00 ± 0.10 | 4.00 ± 0.10 | 4.00 ± 0.10 | 4.00 ± 0.10 | 4.00 ± 0.10 |
| 10 x P <sub>0</sub>                  | 40.0 ± 0.10 | 40.0 ± 0.10 | 40.0 ± 0.10 | 40.0 ± 0.10 | 40.0 ± 0.10 | 40.0 ± 0.10 |
| P <sub>1</sub>                       | 2.00 ± 0.05 | 2.00 ± 0.05 | 4.00 ± 0.10 | 4.00 ± 0.10 | 4.00 ± 0.10 | 4.00 ± 0.10 |
| P <sub>2</sub>                       | 2.00 ± 0.05 | 2.00 ± 0.05 | 2.00 ± 0.05 | 2.00 ± 0.05 | 2.00 ± 0.05 | 2.00 ± 0.05 |
| D <sub>0</sub>                       | 1.55 ± 0.05 | 1.55 ± 0.05 | 1.55 ± 0.05 | 1.55 ± 0.05 | 1.55 ± 0.05 | 1.50 ± 0.05 |
| D <sub>1</sub>                       | -           | -           | -           | -           | -           | -           |
| E                                    | 1.75 ± 0.05 | 1.75 ± 0.05 | 1.75 ± 0.05 | 1.75 ± 0.05 | 1.75 ± 0.05 | 1.75 ± 0.10 |
| F                                    | 3.50 ± 0.05 | 3.50 ± 0.05 | 3.50 ± 0.05 | 3.50 ± 0.05 | 3.50 ± 0.05 | 3.50 ± 0.05 |

| DIMENSIONS PLASTIC TAPE in millimeters |             |             |             |             |             |             |
|--|-------------|-------------|-------------|-------------|-------------|-------------|
| SIZE CODE                              | 0805        | 1206        |             | 1210        |             |             |
| THICKNESS                              | D, I        | C, J, D     | G, P        | C, D        | G, K        | M           |
| A <sub>0</sub>                         | < 1.57      | < 1.85      | < 1.95      | < 2.97      | < 2.97      | < 2.97      |
| B <sub>0</sub>                         | < 2.40      | < 3.46      | < 3.67      | < 3.73      | < 3.73      | < 3.73      |
| T                                      | 0.23 ± 0.05 | 0.23 ± 0.05 | 0.23 ± 0.05 | 0.23 ± 0.05 | 0.23 ± 0.05 | 0.23 ± 0.05 |
| K <sub>0</sub>                         | < 2.50      | < 2.50      | < 2.50      | < 2.50      | < 2.50      | < 3.00      |
| W                                      | 8.00 ± 0.10 | 8.00 ± 0.10 | 8.00 ± 0.10 | 8.00 ± 0.10 | 8.00 ± 0.10 | 8.00 ± 0.10 |
| P <sub>0</sub>                         | 4.00 ± 0.10 | 4.00 ± 0.10 | 4.00 ± 0.10 | 4.00 ± 0.10 | 4.00 ± 0.10 | 4.00 ± 0.10 |
| 10 x P <sub>0</sub>                    | 40.0 ± 0.10 | 40.0 ± 0.10 | 40.0 ± 0.10 | 40.0 ± 0.10 | 40.0 ± 0.10 | 40.0 ± 0.10 |
| P <sub>1</sub>                         | 4.00 ± 0.10 | 4.00 ± 0.10 | 4.00 ± 0.10 | 4.00 ± 0.10 | 4.00 ± 0.10 | 4.00 ± 0.10 |
| P <sub>2</sub>                         | 2.00 ± 0.05 | 2.00 ± 0.05 | 2.00 ± 0.05 | 2.00 ± 0.05 | 2.00 ± 0.05 | 2.00 ± 0.05 |
| D <sub>0</sub>                         | 1.50 ± 0.05 | 1.50 ± 0.05 | 1.50 ± 0.05 | 1.50 ± 0.05 | 1.50 ± 0.05 | 1.50 ± 0.05 |
| D <sub>1</sub>                         | 1.00 ± 0.10 | 1.00 ± 0.10 | 1.00 ± 0.10 | 1.00 ± 0.10 | 1.00 ± 0.10 | 1.00 ± 0.10 |
| E                                      | 1.75 ± 0.10 | 1.75 ± 0.10 | 1.75 ± 0.10 | 1.75 ± 0.10 | 1.75 ± 0.10 | 1.75 ± 0.10 |
| F                                      | 3.50 ± 0.05 | 3.50 ± 0.05 | 3.50 ± 0.05 | 3.50 ± 0.05 | 3.50 ± 0.05 | 3.50 ± 0.05 |

勝特力材料 886-3-5753170  
 勝特力电子(上海) 86-21-34970699  
 勝特力电子(深圳) 86-755-83298787  
[Http://www.100y.com.tw](http://www.100y.com.tw)



## REEL SPECIFICATION



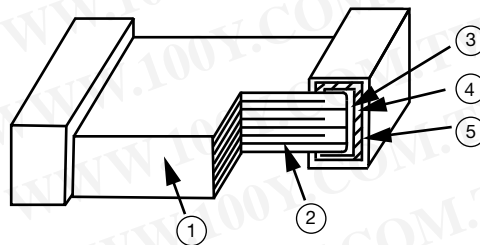
## REEL DIMENSIONS in millimeters

| SYMBOL | 7" REEL     | 13" REEL    |
|--------|-------------|-------------|
| A      | 13.0 ± 0.5  | 13.0 ± 0.5  |
| B      | 9.0 ± 1.0   | 9.0 ± 1.0   |
| C      | 178.0 ± 1.0 | 330.0 ± 1.0 |
| D      | 60.0 ± 1.0  | 100.0 ± 1.0 |

| CONSTRUCTION |                  |                          |                       |
|--------------|------------------|--------------------------|-----------------------|
| NO.          | NAME             | COG (NP0) <sup>(1)</sup> | COG (NP0)/X5R/X7R/Y5V |
| 1            | Ceramic material | BaTiO <sub>3</sub> based |                       |
| 2            | Inner electrode  | AgPd alloy               | Ni                    |
| 3            | Termination      | Inner layer              | Cu                    |
| 4            |                  | Middle layer             | Ni                    |
| 5            |                  | Outer layer              | Sn (matt)             |

### Note

(1) COG (NP0) items are with Ag/Ni/Sn terminations, please see selection chart



## STORAGE AND HANDLING CONDITIONS

- (1) To store products at 5 °C to 40 °C ambient temperature and 20 % to 70 % relative humidity conditions.
- (2) The product is recommended to be used within one year after shipment. Check solderability in case of shelf life extension is needed.

### Cautions:

- a. Do not store products in a corrosive environment such as sulfide, chloride gas, or acid. It may cause oxidization of electrode, which easily be resulted in poor soldering.
- b. To store products on the shelf and avoid exposure to moisture.
- c. Do not expose products to excessive shock, vibration, direct sunlight and so on.

勝特力材料 886-3-5753170  
 勝特力电子(上海) 86-21-34970699  
 勝特力电子(深圳) 86-755-83298787  
[Http://www.100y.com.tw](http://www.100y.com.tw)



## Disclaimer

ALL PRODUCT, PRODUCT SPECIFICATIONS AND DATA ARE SUBJECT TO CHANGE WITHOUT NOTICE TO IMPROVE RELIABILITY, FUNCTION OR DESIGN OR OTHERWISE.

Vishay Intertechnology, Inc., its affiliates, agents, and employees, and all persons acting on its or their behalf (collectively, "Vishay"), disclaim any and all liability for any errors, inaccuracies or incompleteness contained in any datasheet or in any other disclosure relating to any product.

Vishay makes no warranty, representation or guarantee regarding the suitability of the products for any particular purpose or the continuing production of any product. To the maximum extent permitted by applicable law, Vishay disclaims (i) any and all liability arising out of the application or use of any product, (ii) any and all liability, including without limitation special, consequential or incidental damages, and (iii) any and all implied warranties, including warranties of fitness for particular purpose, non-infringement and merchantability.

Statements regarding the suitability of products for certain types of applications are based on Vishay's knowledge of typical requirements that are often placed on Vishay products in generic applications. Such statements are not binding statements about the suitability of products for a particular application. It is the customer's responsibility to validate that a particular product with the properties described in the product specification is suitable for use in a particular application. Parameters provided in datasheets and/or specifications may vary in different applications and performance may vary over time. All operating parameters, including typical parameters, must be validated for each customer application by the customer's technical experts. Product specifications do not expand or otherwise modify Vishay's terms and conditions of purchase, including but not limited to the warranty expressed therein.

Except as expressly indicated in writing, Vishay products are not designed for use in medical, life-saving, or life-sustaining applications or for any other application in which the failure of the Vishay product could result in personal injury or death. Customers using or selling Vishay products not expressly indicated for use in such applications do so at their own risk. Please contact authorized Vishay personnel to obtain written terms and conditions regarding products designed for such applications.

No license, express or implied, by estoppel or otherwise, to any intellectual property rights is granted by this document or by any conduct of Vishay. Product names and markings noted herein may be trademarks of their respective owners.

## Material Category Policy

**Vishay Intertechnology, Inc. hereby certifies that all its products that are identified as RoHS-Compliant fulfill the definitions and restrictions defined under Directive 2011/65/EU of The European Parliament and of the Council of June 8, 2011 on the restriction of the use of certain hazardous substances in electrical and electronic equipment (EEE) - recast, unless otherwise specified as non-compliant.**

**Please note that some Vishay documentation may still make reference to RoHS Directive 2002/95/EC. We confirm that all the products identified as being compliant to Directive 2002/95/EC conform to Directive 2011/65/EU.**

**Vishay Intertechnology, Inc. hereby certifies that all its products that are identified as Halogen-Free follow Halogen-Free requirements as per JEDEC JS709A standards. Please note that some Vishay documentation may still make reference to the IEC 61249-2-21 definition. We confirm that all the products identified as being compliant to IEC 61249-2-21 conform to JEDEC JS709A standards.**

勝特力材料 886-3-5753170  
勝特力电子(上海) 86-21-34970699  
勝特力电子(深圳) 86-755-83298787  
[Http://www.100y.com.tw](http://www.100y.com.tw)