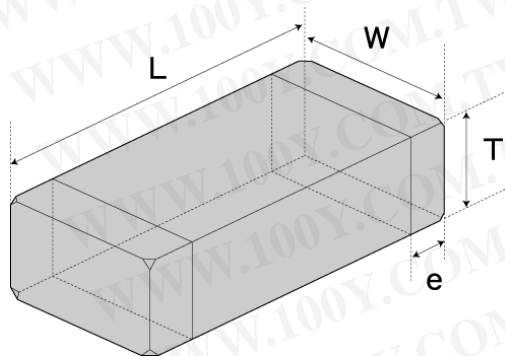


## Spec Sheet

## Standard Multilayer Ceramic Capacitors (Temperature compensating type)

## UMK105CH101JV - F



## ■ Features

- Item Summary  
50V, C0H, 100pF,  $\pm 5\%$ , 0402
- Lifecycle Stage  
Mass Production
- Standard packaging quantity (minimum)  
Taping paper 10000pcs

## ■ Products characteristics table

CaseSize (EIA/JIS)	0402/1005
Rated Voltage (max)	50V
Capacitance	100pF
Capacitance Tolerance	$\pm 5\%$
Resistance	10,000 M min.
Dielectric Loss Tangent	N/A
Q (min)	1000
Temperature Characteristics (EIA/JIS)	C0H/CH
Temperature Range (EIA/JIS)	-55 to +125 / -55 to +125
Capacitance Change (EIA/JIS)	N/A
RoHS Compliance	Yes
Halogen Free	Yes
Soldering Method	Reflow

## ■ External Dimensions

L	1.0mm $\pm 0.05$
W	0.5mm $\pm 0.05$
T	0.5mm $\pm 0.05$
e	0.25mm $\pm 0.10$

勝特力材料 886-3-5753170  
 勝特力电子(上海) 86-21-34970699  
 勝特力电子(深圳) 86-755-83298787  
[Http://www.100y.com.tw](http://www.100y.com.tw)

The data is reference only. Electrical characteristics vary depending on environment or measurement condition.  
 TAIYO YUDEN reserves the right to make change to the Date at any time without notice.  
 Before making final selection, please check product specification.