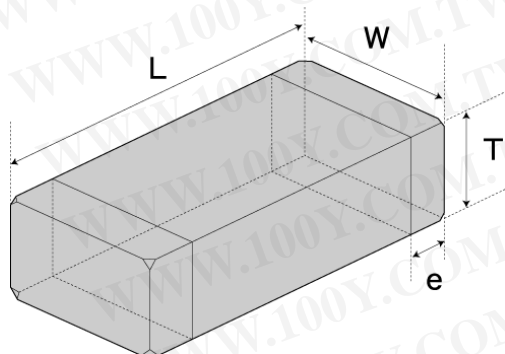


Spec Sheet

High Value Multilayer Ceramic Capacitors (High dielectric type)

TMK105B7103KV - F



■ Features

- Item Summary
25V, X7R, 10000pF, $\pm 10\%$, 0402
- Lifecycle Stage
Mass Production
- Standard packaging quantity (minimum)
Taping paper 10000pcs

■ Products characteristics table

CaseSize (EIA/JIS)	0402/1005
Rated Voltage (max)	25V
Capacitance	10000pF
Capacitance Tolerance	$\pm 10\%$
Resistance	10,000 M min.
Dielectric Loss Tangent	3.5%MAX
Q (min)	N/A
Temperature Characteristics (EIA/JIS)	X7R/ -
Temperature Range (EIA/JIS)	-55 to +125 / -
Capacitance Change (EIA/JIS)	$\pm 15 / -\%$
RoHS Compliance	Yes
Halogen Free	Yes
Soldering Method	Reflow

■ External Dimensions

L	1.0mm ± 0.05
W	0.5mm ± 0.05
T	0.5mm ± 0.05
e	0.25mm ± 0.10

勝特力材料 886-3-5753170
 勝特力电子(上海) 86-21-34970699
 勝特力电子(深圳) 86-755-83298787
[Http://www.100y.com.tw](http://www.100y.com.tw)

The data is reference only. Electrical characteristics vary depending on environment or measurement condition.
 TAIYO YUDEN reserves the right to make change to the Date at any time without notice.
 Before making final selection, please check product specification.