

PRODUCT LIST
◆ MINIATURE ALUMINUM ELECTROLYTIC CAPACITORS

	SERIES	FEATURES	GENERAL PURPOSE	MINIATURIZED	LOW PROFILE	LOW IMPEDANCE	LONG LIFE	RoHS COMPLIANCE	RATED VOLTAGE (V.DC)	RATED CAPACITANCE (μF)	CATEGORY TEMPERATURE RANGE (°C)
V CHIP	NEW TLV	105°C LOW IMPEDANCE, LONG LIFE		●		●	●	●	6.3~35	100~10000	-55~+105
	TFV	105°C LOW IMPEDANCE		●		●		●	6.3~35	6.8~820	-55~+105
	TZV	105°C LOW IMPEDANCE		●		●		●	6.3~50	4.7~1000	-55~+105
	JZV	105°C LOW IMPEDANCE, HIGH TEMPERATURE REFLOW		●		●		●	6.3~35	4.7~1000	-55~+105
	SZV	105°C LOW IMPEDANCE		●		●		●	6.3~35	1~100	-55~+105
	NEW THV	* 125°C LOW ESR, 3000 HOURS		●		●	●	●	-	-	-
	TXV	125°C LOW ESR		●		●	●	●	10~35	22~470	-40~+125
	SXV	125°C 1000 HOURS					●	●	10~50	10~470	-40~+125
	SLV	105°C LONG LIFE 5000HOURS		●			●	●	6.3~50	0.1~100	-40~+105
	SJV	105°C LONG LIFE 3000 HOURS		●			●	●	6.3~50	0.1~220	-40~+105
	SGV	105°C LONG LIFE 2000 HOURS		●			●	●	6.3~50 63, 100	0.1~6800	-55~+105 -40~+105
	JGV	105°C LONG LIFE 2000 HOURS, HIGH TEMPERATURE REFLOW		●			●	●	6.3~50	0.1~1000	-55~+105
	SKV	105°C STANDARD		●	●			●	6.3~50	0.1~1000	-55~+105
	JKV	105°C STANDARD, HIGH TEMPERATURE REFLOW		●	●			●	6.3~50	0.1~1000	-55~+105
	SEV	85°C STANDARD		●	●			●	4~100	0.1~10000	-40~+85
	JEV	85°C STANDARD, HIGH TEMPERATURE REFLOW		●	●			●	6.3~50	0.1~1000	-40~+85
	NSKV	105°C BI-POLAR		●	●			●	6.3~50	0.1~47	-55~+105
	NSEV	85°C BI-POLAR		●	●			●	6.3~50	0.1~47	-40~+85
LOW IMPEDANCE	NEW ZLK	105°C ULTRA HIGH RIPPLE CURRENT, LOW IMPEDANCE		●		●		●	10~35	220~1800	-40~+105
	ZLJ	105°C HIGH RIPPLE CURRENT		●		●	●	●	10~50	27~2200	-40~+105
	ZLG	105°C ULTRA LOW IMPEDANCE				●		●	6.3~35	4.7~3900	-40~+105
	ZLH	105°C MINIATURIZED, LONG LIFE, LOW IMPEDANCE		●		●	●	●	6.3~100	8.2~8200	-40~+105
	ZL	105°C HIGH RIPPLE LOW IMPEDANCE		●		●		●	6.3~100	5.6~6800	-40~+105
	ZT	125°C 1000~4000 HOURS, LOW IMPEDANCE				●	●	●	10~35	22~2200	-40~+125
	YXF	105°C LONG LIFE LOW IMPEDANCE	●	●		●	●	●	6.3~250	0.47~15000	-40~+105
	YXG	105°C HIGH RIPPLE CURRENT		●	●	●	●	●	6.3~100	6.8~18000	-40~+105
	YXH	105°C HIGH RIPPLE CURRENT		●	●	●	●	●	6.3~100	6.8~18000	-40~+105
For PC mother board	MBZ·MCZ	105°C ULTRA LOW ESR		●		●		●	6.3~16	470~3300	-40~+105
LONG LIFE	NEW BXF	105°C HIGH RIPPLE CURRENT, LONG LIFE, 20mm		●	●		●	●	160~450	10~220	-25~+105
	UPGRADE BXC	105°C HIGH RIPPLE CURRENT, LONG LIFE		●			●	●	160~500	1~220	-25~+105
	BXA	105°C LONG LIFE, 10000~12000 HOURS		●			●	●	160~450	6.8~220	-25~+105
	CFX	105°C 5000 HOURS		●			●	●	200~400	2.2~100	-25~+105
	RX50	150°C 1000 HOURS					●	●	10~63	47~1000	-40~+150
	RX30	130°C 1000~4000 HOURS				●	●	●	10~100 200, 400	1~4700	-40~+130 -25~+130
	YXM	105°C MINIATURIZED, LONG LIFE 10000 HOURS		●			●	●	10~100	0.47~330	-25~+105
For AC adapter	NEW AX	105°C ULTRA MINIATURIZED		●	●			●	400	4.7~15	-40~+105
LOW PROFILE	MH5	105°C 5mm HEIGHT	●	●	●			●	6.3~50	0.1~100	-40~+105
	MH7	105°C 7mm HEIGHT	●	●	●			●	6.3~50	0.1~100	-40~+105
	ML	105°C LONG LIFE LOW PROFILE		●	●		●	●	6.3~50	1~1000	-40~+105
	WXA	105°C 9mm~25mm HEIGHT		●	●			●	6.3~50 160~250 350~450	1.5~10000	-55~+105 -40~+105 -25~+105
	MS5	85°C 5mm HEIGHT	●	●	●			●	4~50	0.1~470	-40~+85
	MS7	85°C 7mm HEIGHT	●	●	●			●	4~63	0.1~470	-40~+85
	WA	85°C 9mm~25mm HEIGHT		●	●			●	6.3~250 350~450	1.5~10000	-40~+85 -25~+85
GENERAL PURPOSE	PX	105°C ULTRA MINIATURIZED	●	●				●	6.3~100 160~400 450	1~33000	-55~+105 -40~+105 -25~+105
	YXA	105°C STANDARD	●	●				●	6.3~100 160~250 350~450	0.1~22000	-55~+105 -40~+105 -25~+105
	PK	85°C ULTRA MINIATURIZED	●	●				●	6.3~400 450	0.47~33000	-40~+85 -25~+85
	YK	85°C STANDARD	●	●				●	6.3~250 350~450	0.1~22000	-40~+85 -25~+85
LOW LEAKAGE CURRENT	TWL	85°C LOW LEAKAGE CURRENT		●			●	●	6.3~50	0.1~2200	-40~+85
BI-POLAR	NXA	105°C STANDARD	●	●				●	6.3~50	0.47~1000	-55~+105
	NW5	85°C 5mm HEIGHT	●	●	●			●	6.3~50	0.1~47	-40~+85
	NW7	85°C 7mm HEIGHT	●	●	●			●	6.3~50	0.1~47	-40~+85
	NA	85°C STANDARD	●	●				●	6.3~100	0.47~1000	-40~+85
For Automotive	NEW HRV	* 125°C 3000HOURS, SMD TYPE		●		●	●	●	25~50	470~8200	-55~+125
	NEW HRX	* 125°C 3000HOURS, LEAD WIRE		●		●	●	●	25~50	470~8200	-55~+125

*Please contact our sales offices.

PRODUCT LIST
◆ MINIATURE ALUMINUM ELECTROLYTIC CAPACITORS

	SERIES	FEATURES	GENERAL PURPOSE	MINIATURIZED	HIGH RIPPLE CURRENT	FOR OVER VOLTAGE VENT TEST	LONG LIFE	RoHS COMPLIANCE	RATED VOLTAGE (V.DC)	RATED CAPACITANCE (μF)	CATEGORY TEMPERATURE RANGE (°C)
FOR SWITCHING POWER SUPPLY	UPGRADE TXW	105°C 10000 HOURS, MINIATURIZED		●			●	●	200~450	12~560	-25~+105
	CXW	105°C 5000 HOURS, ULTRA MINIATURIZED		●			●	●	400~450	33~220	-25~+105
	QXW	105°C ULTRA MINIATURIZED		●				●	400~450	27~220	-25~+105
	KXW	105°C MINIATURIZED		●				●	200~450	18~560	-25~+105
	SXW	FOR OVER VOLTAGE VENT OPERATION TEST						●	200,400	4.7~330	-25~+105
	SAW	MINIATURIZED FOR OVER VOLTAGE VENT OPERATION TEST			●			●	400	18~120	-25~+105

◆ LARGE CAN TYPE ALUMINUM ELECTROLYTIC CAPACITORS

SNAP-IN TYPE	NEW USH	85°C ULTRA MINIATURIZED	●	●				●	400~450	120~1000	-25~+85
	MXH	105°C ULTRA MINIATURIZED	●	●	●			●	400~450	100~820	-25~+105
	MXG	105°C MINIATURIZED	●	●	●			●	50~100 160~450	680~15000 56~2700	-40~+105 -25~+105
	MXC	105°C STANDARD	●					●	10~100 160~450	560~68000 47~2700	-40~+105 -25~+105
	HXC	105°C HIGH RIPPLE CURRENT			●			●	200~450	68~2200	-25~+105
	VXH	105°C 5000 HOURS LIFE MINIATURIZED		●	●			●	200~450	100~2200	-25~+105
	VXG	105°C 5000 HOURS LIFE		●	●			●	10~100 200~450	560~56000 82~2200	-40~+105 -25~+105
	VXR	105°C 7000 HOURS LIFE			●			●	160~450	39~2200	-25~+105
	AXF	105°C 20mm HEIGHT		●	●			●	10~100 160~450	330~10000 27~680	-40~+105 -25~+105
	KXF	105°C 20mm HEIGHT MINIATURIZED		●	●			●	160~450	39~820	-25~+105
	SXG	OVER-VOLTAGE VENTING SPECIFICATION			●	●		●	200, 400, 450	39~1200	-25~+105
	SXC	OVER-VOLTAGE VENTING SPECIFICATION				●		●	200, 400	22~1500	-25~+105
	SXR	OVER-VOLTAGE VENTING SPECIFICATION				●		●	250, 450	39~1000	-25~+105
	USG	85°C MINIATURIZED		●	●	●		●	160~250 400~450	220~3300 68~820	-40~+85 -25~+85
	USC	85°C STANDARD		●				●	10~250 315~450	180~82000 56~1000	-40~+85 -25~+85
LUG TERMINAL TYPE	MXY	105°C MINIATURIZED HORIZONTAL MOUNT		●				●	160~400	68~1500	-25~+105
SCREW TERMINAL TYPE	LSQ	85°C STANDARD	●					●	10~100 160~450	2200~680000 270~33000	-40~+85 -25~+85
	LSU	85°C MINIATURIZED	●		●		●	●	350~450	1200~18000	-25~+85
	LSW	105°C STANDARD	●					●	10~100 160~400	2200~680000 220~22000	-40~+105 -25~+105
	LSG	105°C MINIATURIZED	●		●		●	●	350~450	1000~18000	-25~+105

◆ PHOTO FLASH ALUMINUM ELECTROLYTIC CAPACITORS

SERIES	FEATURES	RoHS COMPLIANCE	RATED VOLTAGE (V.DC)	RATED CAPACITANCE (μF)	CATEGORY TEMPERATURE RANGE (°C)
FK	STANDARD LUG TERMINAL	●	330 360	150~1500 150~1300	-20~+55
FKX	MINIATURIZED LUG TERMINAL	●	330 360	150~1500 150~1500	-20~+55
SF	HIGH VOLTAGE LUG TERMINAL	●	450	150~600	-20~+55
FW	LEAD WIRE TERMINAL	●	330	10~300	-20~+60
CDF	FOR FLASH LAMPS	●	360 450	60~400 40~300	-25~+70

⊙ CAUTION

These Rubycon Photo Flash Capacitors are designed, manufactured and intended solely for use in photo flash and other photographic equipment. They are not intended for use in medical equipment. Rubycon Corporation, Rubycon America, Inc., and Shin-Ei Capacitor Foil Company, Ltd. expressly disclaim any warranties or representations as to the suitability or fitness of these capacitors for use in medical equipment.

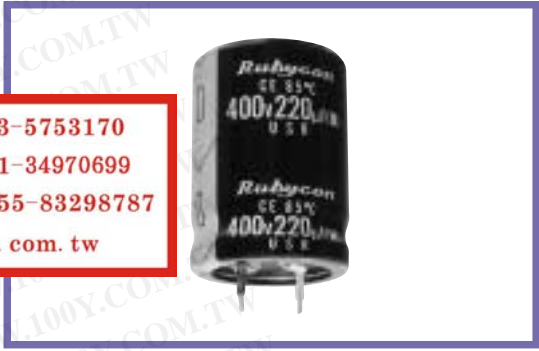
Rubycon 大形アルミニウム電解コンデンサ **USR**
 LARGE CAN TYPE ALUMINUM ELECTROLYTIC CAPACITORS

USR シリーズ
 SERIES

旧シリーズ

基板自立形85°C標準品
 85°C Standard, Snap-in Terminal Type

勝特力材料 886-3-5753170
 胜特力电子(上海) 86-21-34970699
 胜特力电子(深圳) 86-755-83298787
[Http://www.100y.com.tw](http://www.100y.com.tw)



◆特長 FEATURES

- 85°C3000時間品。
 Load Life : 85°C 3000 hours.
- 従来のUSRシリーズを更に小形化・高リプル化。
 Smaller size with higher ripple current endurance than USP series.

◆規格表 SPECIFICATIONS

項目 Items	特性 Characteristics																								
カテゴリ温度範囲 Category Temperature Range	-40~+85°C	-25~+85°C																							
定格電圧範囲 Rated Voltage Range	10~250V.DC	315~450V.DC																							
静電容量許容差 Capacitance Tolerance	±20% (20°C, 120Hz)																								
漏れ電流 Leakage Current(MAX)	$I=3\sqrt{CV}$ (定格電圧印加5分後) $I=3\sqrt{CV}$ (After 5 minutes application of rated voltage) I=漏れ電流(µA) V=定格電圧(V) C=定格静電容量(µF) Leakage Current Rated Voltage Rated Capacitance																								
損失角の正接 (tanδ) Dissipation Factor(MAX)	<table border="1"> <tr> <td>定格電圧(V) Rated Voltage</td> <td>10</td> <td>16</td> <td>25</td> <td>35</td> <td>50</td> <td>63</td> <td>80</td> <td>100</td> <td>160~400</td> <td>420~450</td> <td rowspan="2">(20°C, 120Hz)</td> </tr> <tr> <td>tan δ</td> <td>0.55</td> <td>0.50</td> <td>0.45</td> <td>0.40</td> <td>0.35</td> <td>0.30</td> <td>0.25</td> <td>0.20</td> <td>0.15</td> <td>0.25</td> </tr> </table>		定格電圧(V) Rated Voltage	10	16	25	35	50	63	80	100	160~400	420~450	(20°C, 120Hz)	tan δ	0.55	0.50	0.45	0.40	0.35	0.30	0.25	0.20	0.15	0.25
定格電圧(V) Rated Voltage	10	16	25	35	50	63	80	100	160~400	420~450	(20°C, 120Hz)														
tan δ	0.55	0.50	0.45	0.40	0.35	0.30	0.25	0.20	0.15	0.25															
インピーダンス比 Impedance Ratio(MAX)	<table border="1"> <tr> <td>定格電圧(V) Rated Voltage</td> <td>10~250</td> <td>315~400</td> <td>420~450</td> <td rowspan="3">(120Hz)</td> </tr> <tr> <td>Z(-25°C)/Z(20°C)</td> <td>3</td> <td>4</td> <td>12</td> </tr> <tr> <td>Z(-40°C)/Z(20°C)</td> <td>12</td> <td></td> <td></td> </tr> </table>		定格電圧(V) Rated Voltage	10~250	315~400	420~450	(120Hz)	Z(-25°C)/Z(20°C)	3	4	12	Z(-40°C)/Z(20°C)	12												
定格電圧(V) Rated Voltage	10~250	315~400	420~450	(120Hz)																					
Z(-25°C)/Z(20°C)	3	4	12																						
Z(-40°C)/Z(20°C)	12																								
耐久性 Endurance	85°C中で3000時間定格電圧(リプル重畳)印加後、下記項目を満足すること After applying rated voltage with rated ripple current for 3000hrs at 85°C, the capacitors shall meet the following requirements. <table border="1"> <tr> <td>静電容量変化率 Capacitance Change</td> <td>初期値の±20%以内 Within ±20% of the initial value.</td> </tr> <tr> <td>損失角の正接 Dissipation Factor</td> <td>規格値の200%以下 Not more than 200% of the specified value.</td> </tr> <tr> <td>漏れ電流 Leakage Current</td> <td>規格値以下 Not more than the specified value.</td> </tr> </table>		静電容量変化率 Capacitance Change	初期値の±20%以内 Within ±20% of the initial value.	損失角の正接 Dissipation Factor	規格値の200%以下 Not more than 200% of the specified value.	漏れ電流 Leakage Current	規格値以下 Not more than the specified value.																	
静電容量変化率 Capacitance Change	初期値の±20%以内 Within ±20% of the initial value.																								
損失角の正接 Dissipation Factor	規格値の200%以下 Not more than 200% of the specified value.																								
漏れ電流 Leakage Current	規格値以下 Not more than the specified value.																								

◆リプル電流補正係数 MULTIPLIER FOR RIPPLE CURRENT

周波数係数 Frequency coefficient

周波数 (Hz) Frequency	60 (50)	120	500	1k	10k ≤
10~100WV	0.90	1.00	1.05	1.10	1.15
160~250WV	0.80	1.00	1.20	1.30	1.50
315~450WV	0.80	1.00	1.05	1.10	1.15

◆呼称方法 PART NUMBER

USR OOE DXL
 定格電圧 シリーズ名 定格静電容量 静電容量許容差 副記号 端子記号 ケースサイズ
 Rated Voltage Series Rated Capacitance Capacitance Tolerance Option Terminal Code Case Size

◆副記号 Option

	記号 Code
底板なし without plate	OOE
底板あり with plate	なし Blank



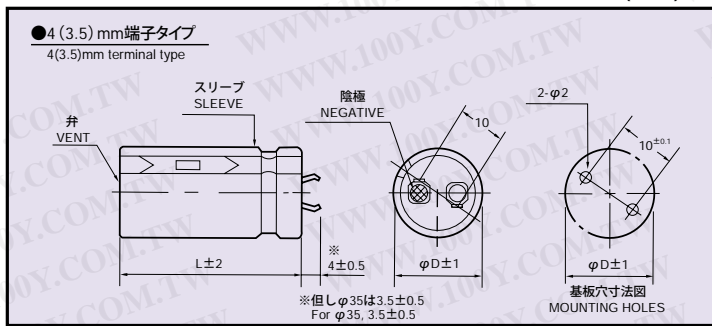
大形アルミニウム電解コンデンサ

LARGE CAN TYPE ALUMINUM ELECTROLYTIC CAPACITORS

USR

◆寸法図 DIMENSIONS

(mm)



◆寸法一覧表, 定格リップル電流一覧表 STANDARD SIZE, RATED RIPPLE CURRENT

Cap (μF)	WV	10					16				
		φ20	φ22	φ25	φ30	φ35	φ20	φ22	φ25	φ30	φ35
6800							20×25; 2.33				
8200							20×30; 2.56	22×25; 2.56			
10000		20×25; 2.22					20×35; 2.85	22×30; 2.81			
12000		20×30; 2.44	22×25; 2.41				20×40; 3.20	22×30; 3.13	25×25; 2.96		
15000		20×35; 2.90	22×30; 2.88	25×25; 2.88				22×35; 3.69	25×30; 3.64	30×25; 3.73	
18000		20×40; 3.31	22×35; 3.22	25×30; 3.08				22×40; 3.98	25×35; 3.98	30×30; 3.88	
22000			22×40; 3.79	25×30; 3.66	30×25; 3.53			22×50; 4.52	25×40; 4.44	30×30; 4.38	
27000			22×45; 4.04	25×35; 4.04	30×30; 3.99				25×45; 4.98	30×35; 4.82	35×30; 4.82
33000			22×50; 4.58	25×40; 4.56	30×30; 4.58				25×50; 5.49	30×40; 5.38	35×35; 5.33
39000				25×45; 5.29	30×35; 5.21	35×30; 5.05				30×45; 6.11	35×35; 6.01
47000				25×50; 5.78	30×40; 5.78	35×35; 5.55				30×50; 6.80	35×40; 6.80
56000					30×45; 6.59	35×35; 6.40					35×45; 7.62
68000					30×50; 7.50	35×40; 7.48					
82000						35×50; 8.50					

Cap (μF)	WV	25					35				
		φ20	φ22	φ25	φ30	φ35	φ20	φ22	φ25	φ30	φ35
2700							20×25; 1.76				
3300							20×30; 2.14				
3900							20×30; 2.28	22×25; 2.22			
4700		20×25; 2.18					20×35; 2.46	22×30; 2.46	25×25; 2.43		
5600		20×30; 2.33	22×25; 2.31					22×35; 2.79	25×30; 2.75		
6800		20×35; 2.56	22×30; 2.56					22×40; 2.89	25×30; 2.89	30×25; 3.09	
8200		20×40; 2.91	22×35; 2.81	25×25; 2.78				22×45; 3.47	25×35; 3.33	30×30; 3.29	
10000			22×35; 3.18	25×30; 3.16				22×50; 3.59	25×40; 3.59	30×30; 3.61	
12000			22×40; 3.53	25×35; 3.48	30×25; 3.53				25×45; 4.01	30×35; 4.01	35×30; 4.02
15000			22×50; 4.08	25×40; 4.00	30×30; 4.00					30×40; 4.80	35×35; 4.80
18000				25×45; 4.68	30×35; 4.66	35×30; 4.68				30×45; 5.18	35×40; 5.71
22000					30×40; 5.19	35×35; 5.20					35×45; 6.38
27000					30×45; 6.02	35×40; 6.02					35×50; 6.90
33000						35×45; 6.75					
39000						35×50; 7.56					

Cap (μF)	WV	50					63				
		φ20	φ22	φ25	φ30	φ35	φ20	φ22	φ25	φ30	φ35
1500							20×25; 1.69				
1800		20×25; 1.70					20×30; 2.04	22×25; 1.90			
2200		20×30; 2.07	22×25; 1.93				20×35; 2.40	22×30; 2.35	25×25; 2.30		
2700		20×35; 2.21	22×30; 2.21				20×40; 2.52	22×35; 2.50	25×30; 2.49		
3300		20×40; 2.41	22×30; 2.41	25×25; 2.38				22×40; 2.69	25×30; 2.69	30×25; 2.78	
3900			22×35; 2.72	25×30; 2.68				22×45; 3.10	25×35; 3.09	30×30; 3.09	
4700			22×40; 3.01	25×30; 3.03	30×25; 3.01			22×50; 3.49	25×40; 3.37	30×30; 3.37	
5600			22×45; 3.43	25×35; 3.37	30×30; 3.43				25×45; 3.80	30×35; 3.81	35×30; 3.75
6800			22×50; 3.94	25×40; 3.87	30×35; 3.87				25×50; 4.41	30×40; 4.41	35×35; 4.33
8200				25×45; 4.37	30×35; 4.42	35×30; 4.41				30×45; 4.90	35×35; 4.80
10000					30×40; 5.02	35×35; 4.92				30×50; 5.49	35×40; 5.47
12000					30×50; 5.60	35×40; 5.60					35×50; 6.30
15000						35×45; 6.44					
18000						35×50; 6.71					

↑ リプル電流 Ripple Current A r.m.s./120Hz-85°C
↑ ケースサイズ Case Size φD±1×L±2(mm)



大形アルミニウム電解コンデンサ

LARGE CAN TYPE ALUMINUM ELECTROLYTIC CAPACITORS

USR

◆寸法一覧表, 定格リップル電流一覧表 STANDARD SIZE, RATED RIPPLE CURRENT

Cap (μ F)	wv ϕ D	80					100				
		ϕ 20	ϕ 22	ϕ 25	ϕ 30	ϕ 35	ϕ 20	ϕ 22	ϕ 25	ϕ 30	ϕ 35
680							20×25; 1.66				
820							20×30; 1.85	22×25; 1.86			
1000		20×25; 1.56					20×35; 2.02	22×30; 2.02			
1200		20×30; 1.80	22×25; 1.77				20×40; 2.12	22×30; 2.12	25×25; 2.10		
1500		20×35; 2.10	22×30; 2.01					22×35; 2.45	25×30; 2.43		
1800		20×40; 2.30	22×35; 2.25	25×25; 2.26				22×40; 2.77	25×35; 2.77	30×25; 2.65	
2200			22×40; 2.53	25×30; 2.53	30×25; 2.50			22×45; 3.12	25×40; 3.20	30×30; 3.10	
2700			22×45; 2.93	25×35; 2.93	30×30; 2.91				25×45; 3.61	30×35; 3.60	35×30; 3.71
3300			22×50; 3.25	25×40; 3.25	30×30; 3.23				25×50; 4.06	30×40; 4.05	35×35; 4.07
3900				25×45; 3.62	30×35; 3.62					30×45; 4.60	35×35; 4.50
4700				25×50; 4.28	30×40; 4.15	35×30; 4.10				30×50; 5.13	35×40; 5.12
5600					30×45; 4.55	35×35; 4.51					35×45; 5.75
6800					30×50; 5.18	35×40; 5.14					35×50; 6.01
8200						35×45; 5.83					

Cap (μ F)	wv ϕ D	160					180				
		ϕ 20	ϕ 22	ϕ 25	ϕ 30	ϕ 35	ϕ 20	ϕ 22	ϕ 25	ϕ 30	ϕ 35
270		20×25; 1.22					20×25; 1.23				
330		20×30; 1.48					20×30; 1.48	22×25; 1.42			
390		20×30; 1.55	22×25; 1.55				20×30; 1.58	22×30; 1.61			
470		20×35; 1.81	22×30; 1.77	25×25; 1.77			20×35; 1.82	22×30; 1.80	25×25; 1.80		
560		20×40; 2.04	22×35; 2.05	25×30; 2.05			20×40; 2.04	22×35; 2.09	25×30; 2.05		
680			22×40; 2.24	25×30; 2.22	30×25; 2.22			22×40; 2.36	25×35; 2.34	30×25; 2.27	
820			22×45; 2.55	25×35; 2.52	30×30; 2.51			22×45; 2.72	25×35; 2.58	30×30; 2.56	
1000			22×50; 2.88	25×40; 2.86	30×30; 2.82				25×45; 2.91	30×35; 2.95	
1200				25×45; 3.27	30×35; 3.25	35×30; 3.24			25×50; 3.46	30×40; 3.38	35×30; 3.32
1500					30×40; 3.77	35×35; 3.75				30×45; 3.90	35×35; 3.83
1800					30×45; 4.10	35×35; 4.08				30×50; 4.33	35×40; 4.32
2200						35×45; 4.72					35×45; 4.60
2700						35×50; 5.30					35×50; 5.05

Cap (μ F)	wv ϕ D	200					220				
		ϕ 20	ϕ 22	ϕ 25	ϕ 30	ϕ 35	ϕ 20	ϕ 22	ϕ 25	ϕ 30	ϕ 35
180							20×25; 1.09				
220		20×25; 1.13					20×30; 1.15	22×25; 1.09			
270		20×30; 1.32	22×25; 1.30				20×30; 1.38	22×25; 1.31			
330		20×30; 1.49	22×25; 1.44				20×35; 1.51	22×30; 1.58	25×25; 1.49		
390		20×35; 1.66	22×30; 1.65	25×25; 1.63			20×40; 1.73	22×35; 1.69	25×30; 1.71		
470		20×40; 1.93	22×35; 1.88	25×30; 1.86				22×40; 1.99	25×30; 1.95	30×25; 1.89	
560			22×40; 2.08	25×30; 2.05	30×25; 2.05			22×45; 2.28	25×35; 2.22	30×30; 2.19	
680			22×45; 2.36	25×35; 2.36	30×30; 2.36			22×50; 2.46	25×40; 2.40	30×30; 2.39	
820			22×50; 2.68	25×40; 2.66	30×30; 2.62				25×45; 2.81	30×35; 2.70	35×30; 2.62
1000				25×45; 3.12	30×35; 3.00	35×30; 2.96			25×50; 3.13	30×40; 3.08	35×35; 3.05
1200				25×50; 3.44	30×40; 3.44	35×35; 3.40				30×45; 3.60	35×40; 3.51
1500					30×50; 3.93	35×40; 3.87					35×45; 3.92
1800						35×45; 4.37					
2200						35×50; 5.00					

Cap (μ F)	wv ϕ D	250					315				
		ϕ 20	ϕ 22	ϕ 25	ϕ 30	ϕ 35	ϕ 20	ϕ 22	ϕ 25	ϕ 30	ϕ 35
120											
150							20×30; 0.95				
180		20×25; 1.14					20×35; 1.08	22×30; 1.23	25×25; 1.31		
220		20×30; 1.20	22×25; 1.18				20×40; 1.23	22×35; 1.34	25×30; 1.40		
270		20×30; 1.35	22×30; 1.43					22×40; 1.60	25×30; 1.62		
330		20×35; 1.60	22×30; 1.58	25×25; 1.53				22×45; 1.82	25×35; 1.85	30×30; 1.89	
390		20×40; 1.83	22×35; 1.79	25×30; 1.79				22×50; 1.97	25×40; 2.01	30×30; 2.05	
470			22×40; 2.05	25×35; 2.05	30×25; 1.94				25×45; 2.20	30×35; 2.27	35×30; 2.25
560			22×45; 2.36	25×35; 2.24	30×30; 2.24					30×40; 2.50	35×35; 2.56
680				25×40; 2.54	30×35; 2.58					30×45; 2.67	35×40; 2.90
820				25×50; 2.87	30×35; 2.84	35×30; 2.82				30×50; 3.12	35×45; 3.29
1000					30×45; 3.39	35×35; 3.31					35×50; 3.40
1200					30×50; 3.80	35×40; 3.66					
1500						35×45; 4.12					
1800						35×50; 4.31					

↑ ↑ リプル電流 Ripple Current A r.m.s./120Hz-85°C
 ケースサイズ Case Size $\phi D^{\pm 1} \times L^{\pm 2}$ (mm)



大形アルミニウム電解コンデンサ

LARGE CAN TYPE ALUMINUM ELECTROLYTIC CAPACITORS

USR

◆寸法一覧表, 定格リップル電流一覧表 STANDARD SIZE, RATED RIPPLE CURRENT

Cap (μ F)	wv ϕ D	350					385				
		ϕ 20	ϕ 22	ϕ 25	ϕ 30	ϕ 35	ϕ 20	ϕ 22	ϕ 25	ϕ 30	ϕ 35
68							20×25; 0.60				
82							20×30; 0.67	22×25; 0.70			
100							20×30; 0.80	22×30; 0.82			
120		20×30; 0.91	22×25; 0.99				20×35; 0.89	22×30; 0.91	25×25; 0.95		
150		20×35; 1.05	22×30; 1.14	25×25; 1.16			20×40; 1.05	22×35; 1.04	25×30; 1.08		
180		20×40; 1.18	22×35; 1.28	25×30; 1.30				22×40; 1.18	25×35; 1.20	30×25; 1.28	
220			22×40; 1.40	25×35; 1.46	30×25; 1.47			22×45; 1.33	25×35; 1.44	30×30; 1.40	
270			22×45; 1.62	25×35; 1.65	30×30; 1.71				25×40; 1.56	30×35; 1.62	
330			22×50; 1.78	25×40; 1.88	30×35; 1.93				25×50; 1.80	30×40; 1.85	35×30; 1.85
390				25×45; 2.04	30×35; 2.12	35×30; 2.19				30×40; 2.04	35×35; 2.06
470					30×40; 2.41	35×35; 2.43				30×50; 2.27	35×40; 2.30
560					30×45; 2.60	35×35; 2.62					35×45; 2.57
680						35×40; 3.00					35×50; 2.80
820						35×50; 3.30					

Cap (μ F)	wv ϕ D	400					420				
		ϕ 20	ϕ 22	ϕ 25	ϕ 30	ϕ 35	ϕ 20	ϕ 22	ϕ 25	ϕ 30	ϕ 35
68		20×25; 0.71					20×25; 0.65				
82		20×30; 0.78	22×25; 0.80				20×30; 0.73	22×25; 0.75			
100		20×30; 0.90	22×30; 0.94				20×35; 0.85	22×30; 0.87	25×25; 0.92		
120		20×35; 1.02	22×30; 1.04	25×25; 1.08			20×35; 0.99	22×30; 1.01	25×25; 1.03		
150		20×40; 1.16	22×35; 1.18	25×30; 1.21			20×45; 1.15	22×35; 1.19	25×30; 1.19	30×25; 1.14	
180			22×40; 1.34	25×35; 1.37	30×25; 1.45			22×45; 1.36	25×35; 1.37	30×25; 1.35	
220			22×45; 1.50	25×35; 1.56	30×30; 1.58			22×50; 1.69	25×40; 1.58	30×30; 1.56	
270				25×40; 1.70	30×35; 1.73				25×45; 1.83	30×35; 1.72	35×30; 1.76
330				25×50; 1.90	30×40; 1.95	35×30; 1.95			25×50; 2.18	30×40; 1.98	35×35; 2.04
390					30×40; 2.15	35×35; 2.17				30×45; 2.34	35×35; 2.26
470					30×50; 2.39	35×40; 2.42				30×50; 2.67	35×40; 2.60
560						35×45; 2.71					35×45; 2.93
680						35×50; 2.95					

Cap (μ F)	wv ϕ D	450				
		ϕ 20	ϕ 22	ϕ 25	ϕ 30	ϕ 35
56		20×25; 0.58				
68		20×30; 0.67	22×25; 0.68			
82		20×35; 0.76	22×30; 0.82			
100		20×35; 0.84	22×35; 0.90	25×25; 0.92		
120		20×40; 0.94	22×35; 1.02	25×30; 1.04	30×25; 1.07	
150			22×40; 1.12	25×35; 1.19	30×30; 1.23	
180			22×50; 1.26	25×40; 1.33	30×30; 1.38	
220				25×45; 1.51	30×35; 1.56	35×30; 1.58
270				25×50; 1.65	30×40; 1.80	35×35; 1.81
330					30×45; 2.02	35×35; 2.05
390					30×50; 2.24	35×40; 2.27
470						35×45; 2.55

↑ リプル電流 Ripple Current A r.m.s./120Hz-85°C
↑ ケースサイズ Case Size $\phi D^{\pm 1} \times L^{\pm 2}$ (mm)