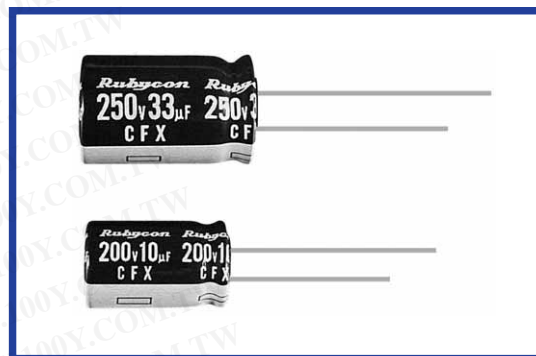


CFX SERIES
Load Life : 105°C 5000 hours.
◆FEATURES

- High Ripple Current.
- For Electronic Ballast, Power Supply.
- RoHS compliance.

勝特力材料 886-3-5753170
 勝特力电子(上海) 86-21-34970699
 勝特力电子(深圳) 86-755-83298787
[Http://www.100y.com.tw](http://www.100y.com.tw)


◆SPECIFICATIONS

Items	Characteristics	
Category Temperature Range	-25~+105°C	
Rated Voltage Range	200~400V.DC	
Capacitance Tolerance	±20%(20°C,120Hz)	
Leakage Current(MAX)	CV≤1000	CV>1000
	I=0.1CV+40µA (1 minute) I=0.03CV+15µA (5 minute)	I=0.04CV+100µA (1 minute) I=0.02CV+25µA (5 minute)
Dissipation Factor(MAX) (tanδ)	Rated Voltage (V)	200 250 350 400 (20°C,120Hz)
	tanδ	0.15 0.15 0.20 0.20
Endurance	Capacitance Change	Within ±20% of the initial value.
	Dissipation Factor	Not more than 200% of the specified value.
	Leakage Current	Not more than the specified value.
Low Temperature Stability Impedance Ratio(MAX)	Rated Voltage (V)	200 250 350 400 (120Hz)
	Z(-25°C)/Z(20°C)	3 3 6 6

I=Leakage Current(µA)
 C=Capacitance(µF)
 V=Rated Voltage(V)

◆MULTIPLIER FOR RIPPLE CURRENT

Frequency (Hz)	120	1k	10k	100k≤
2.2~4.7µF	0.2	0.4	0.8	1.0
6.8~10µF	0.3	0.6	0.9	1.0
22~100µF	0.5	0.8	0.9	1.0

◆OPTION

Code
PET Sleeve
EFC

◆PART NUMBER

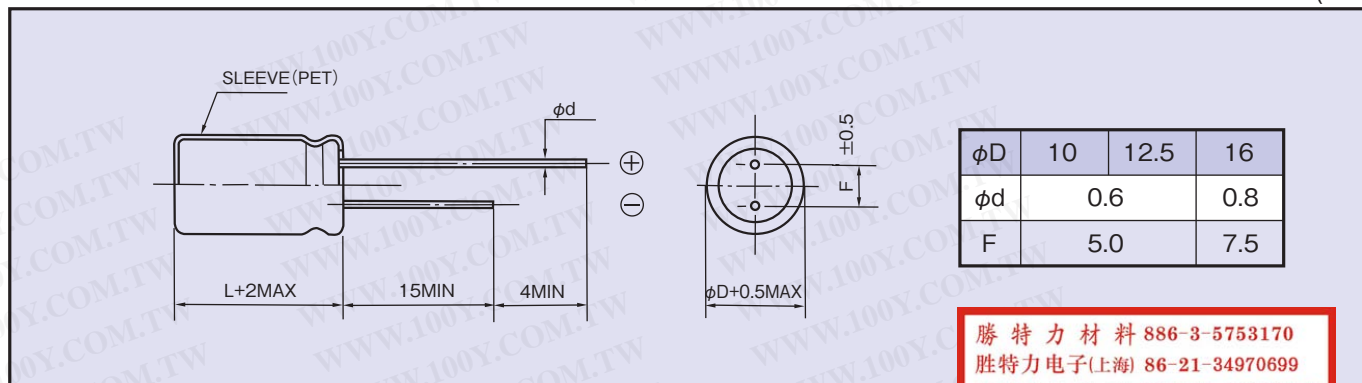
CFX

 M

 D×L
 Rated Voltage Series Capacitance Capacitance Tolerance Option Lead Forming Case Size

◆ DIMENSIONS

(mm)



勝特力材料 886-3-5753170
 勝特力电子(上海) 86-21-34970699
 勝特力电子(深圳) 86-755-83298787
[Http://www.100y.com.tw](http://www.100y.com.tw)

◆ STANDARD SIZE

Size $\phi D \times L$ (mm), Ripple Current (mA r.m.s./105°C, 100kHz)

V.DC Cap(μF)	200 (2D)		250 (2E)	
	Size	Ripple	Size	Ripple
10	10×16	300	10×16	300
22	10×16	360	10×20	500
33	10×20	500	12.5×20	600
47	12.5×20	660	12.5×25	720
68	12.5×25	760	16×25	920
100	16×25	1120		

V.DC Cap(μF)	350 (2V)		400 (2G)	
	Size	Ripple	Size	Ripple
2.2			10×16	160
3.3	10×16	180	10×16	180
4.7	10×16	220	10×16	220
6.8	10×16	220	10×16	220
8.2			8×23	400
10	10×20	280	10×20	280
22	12.5×20	350	12.5×25	430
33	12.5×25	430	16×25	640
47	16×25	660		