

# CAPACITORS APPROVAL SHEET

## 電 容 器 承 認 圖

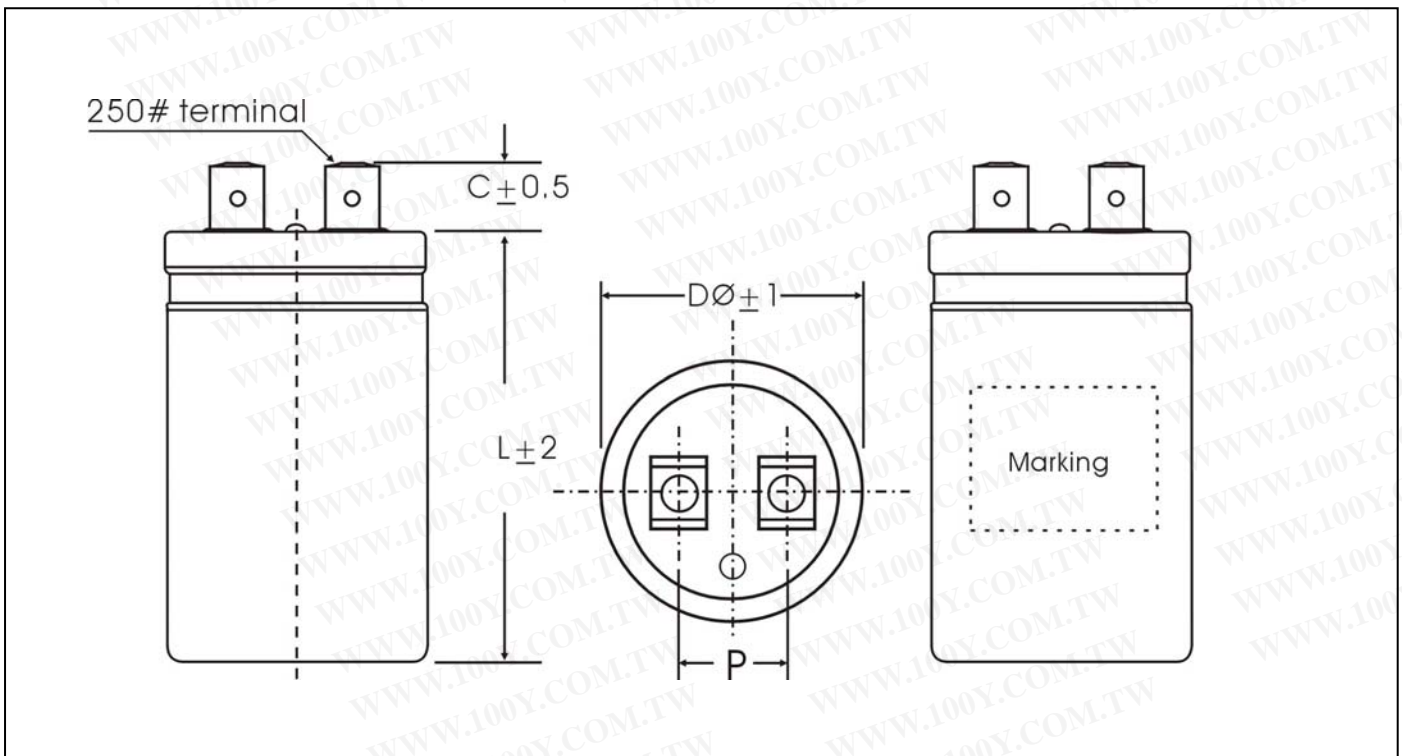
**DIAGRAM DESCRIPTION:**

圖 示 說 明

1. **TYPE / MODEL:** RU - type
2. **OPERATING TEMPERATURE:** - 25°C ~ + 85°C
3. **CAPACITANCE RANGE:** 50 μF
4. **CAPACITANCE TOLERANCE:** + 10% ~ - 5%
5. **RATED WORKING VOLTAGE RANGE:** 250VAC 50/60Hz.

勝特力材料 886-3-5753170  
 勝特力电子(上海) 86-21-34970699  
 勝特力电子(深圳) 86-755-83298787  
[Http://www.100y.com.tw](http://www.100y.com.tw)

SERIES 系列		P03R		TEMPERATURE RANGE 溫度範圍			-25°C~+85°C		CASE 容器	Aluminum
TYPE / MODEL 型式 / 樣式		RL		ELEMENT 成分	Metallized polypropylene film			UNIT 單位	M / m	
RATED				DIAGRAM OF DIMENSIONS 圖 示 規 格 (m/m)						
NO.	CAP (μF)	TOL (%)	VAC	D	L	C				
1	50	+10~-5	250	45	90	10				



## SPECIFICATIONS

### 規 格 說 明

Page : 2

**TYPE / MODEL: RU - type**

**METALLIZED POLYPROPYLENE FILM CAPACITOR**

**1. UL FILE NO.:**

**2. OPERATING TEMPERATURE: - 25°C ~ + 85°C**

**3. CAPACITANCE RANGE: 50 μF**

**4. CAPACITANCE TOLERANCE: +10% ~ -5%**

**5. RATED WORKING VOLTAGE RANGE: 250 VAC 50/60Hz.**

**6. WITHSTAND VOLTAGE TEST:**

(A) Terminal to terminal: Rated voltage×1.75 for 1 min.

(B) Between terminals and case: Rated voltage×2+ 1000V for 1 min, at 25°C.

**7. DISSIPATION FACTOR (DF) : 0.1%MAX. When measured at 50/60Hz.**

**8. INSULATION RESISTANCE (IR) :**

(A) Terminals to terminal:  $\geq 1000 \text{ M}\Omega$

(B) Terminals to case:  $\geq 2000 \text{ M}\Omega$

**9. OPERATION CONDITION :**

(A) Max permissible over voltage: Rated voltage×120%

(B) Max permissible over current: Rated current×130%

(C) Rated current =  $2 \times \pi \times \text{Hz} \times \text{Capacity} \times \text{Rated voltage} \times 10^{-6}$

Ex. Rated current of the cap/13μF/250V =  $2 \times 3.14 \times 60 \times 13 \times 250 \times 10^{-6} \doteq 1.2246(\text{A})$

**10. LIFE TEST :**

(A) Max capacity VA: VA×135%

(B) Continue life test: W.V×120%, for 1000 ± 12hrs.

(C) On – off life test: W.V×140%, On 2 sec. Off 2 sec. Test cycle 100,000 ± 1,000 times.

勝特力材料 886-3-5753170  
勝特力电子(上海) 86-21-34970699  
勝特力电子(深圳) 86-755-83298787  
[Http://www.100y.com.tw](http://www.100y.com.tw)