

Metalized Polyester Film Capacitor

Type : **ECQE(B)**

Non-inductive construction using metallized polyester film with flame retardant epoxy resin coating



Features

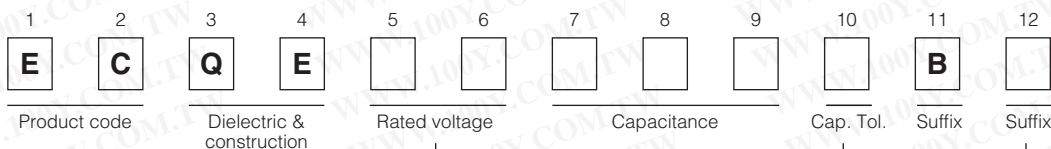
- Self-healing property
- Small size
- Excellent electrical characteristics
- Flame retardant epoxy resin coating
- RoHS directive compliant

Recommended applications

- General purpose usage
- * Please contact us when applications are CDI, ignitor etc.

勝特力材料 886-3-5753170
 勝特力电子(上海) 86-21-34970699
 勝特力电子(深圳) 86-755-83298787
[Http://www.100y.com.tw](http://www.100y.com.tw)

Explanation of part number

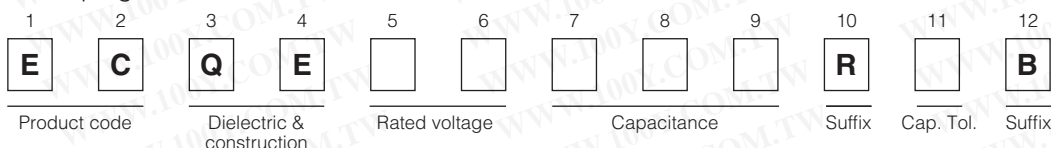


2	250 V.DC
1A	125 V.AC

J	±5 %
K	±10 %

Code	Lead Form
Blank	Straight
B	Crimped lead
Z	Cut lead
2	Straight taping (Ammo)
3	Crimped taping (Ammo)
6	Crimped taping (Ammo)

- Odd size taping

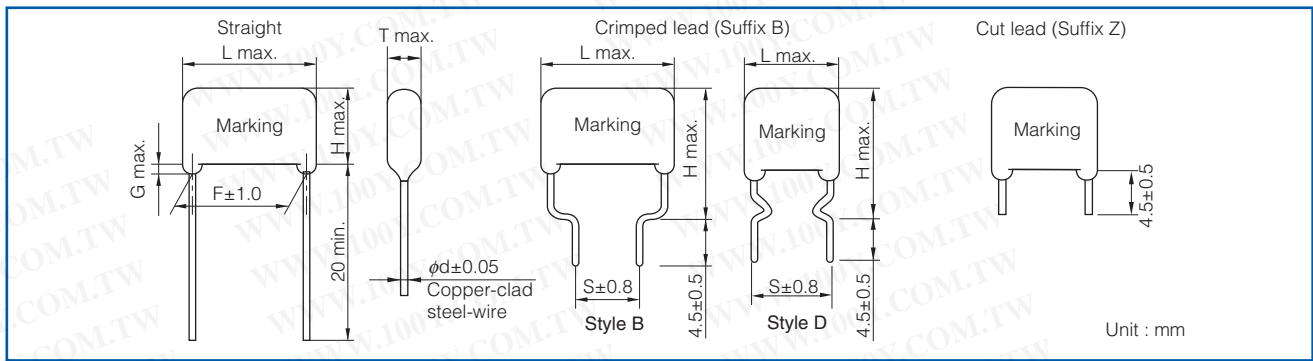


Specifications

Category temp. range (Including temperature-rise on unit surface)	250 V.DC	- 40 °C to +105 °C
	125 V.AC	- 40 °C to +105 °C
Rated voltage	250 V.DC, 125 V.AC (250 V.DC : Derating of rated voltage by 1.25 %/°C at more than 85 °C)	
Capacitance range	0.010 μF to 4.7 μF	
Capacitance tolerance	±5 %(J), ±10 %(K)	
Dissipation factor (tan δ)	tan δ ≤ 1.0 % (20 °C, 1 kHz)	
Withstand voltage	<ul style="list-style-type: none"> • Rated volt. : 250 V.DC Between terminals : Rated volt. (V.DC)×150 %, 60 s • Rated volt. : 125 V.AC Between terminals : Rated volt. (V.AC)×230 %, 60 s Between terminals to enclosure : 1500 V.AC, 60 s 	
Insulation resistance (IR)	250 V.DC	C ≤ 0.33 μF : IR ≥ 9000 MΩ (20 °C, 100 V.DC, 60 s) C > 0.33 μF : IR ≥ 3000 MΩ · μF (20 °C, 100 V.DC, 60 s)
	125 V.AC	C ≤ 0.47 μF : IR ≥ 2000 MΩ (20 °C, 500 V.DC, 60 s) C > 0.47 μF : IR ≥ 3000 MΩ · μF (20 °C, 100 V.DC, 60 s)

* In case of applying voltage in alternating current (50 Hz or 60 Hz sine wave) to a capacitor with DC rated voltage, please refer to the page of "Permissible voltage (R.M.S) in alternating current corresponding to DC rated voltage".
 * Voltage to be applied to ECQE1A (B) is only sine wave (50 Hz or 60 Hz).

Dimensions

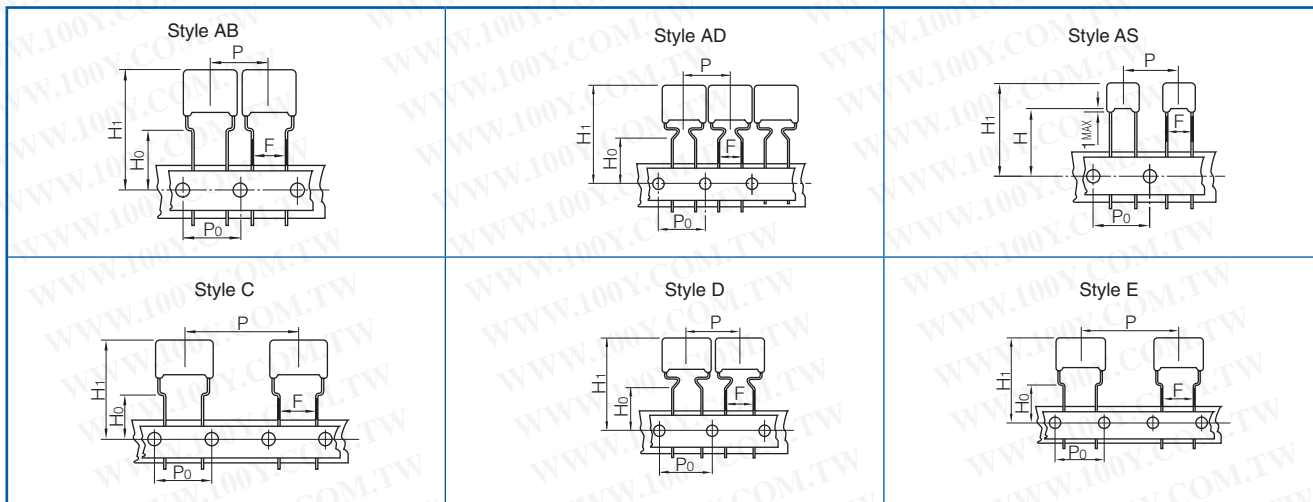


Packaging specifications for bulk package

- Packing quantity : 100 pcs./bag

Taping specifications for automatic insertion

- Taping style



* Refer to the page of taping specifications.

- Packaging specifications

Type	Rated voltage	Capacitance range (μF)	Taping style							Packing	suffix
			AD	AS	AB	B	C	D	E		
ECQE(B)	250 V.DC	0.010 to 0.15		○						Ammo	() B2
		0.010 to 0.68	○							Ammo	() B3
		0.82 to 1.5					○			Ammo	() B3
		0.18 to 0.68						○		Ammo	R() B
		0.82 to 4.7							○	Ammo	R() B
	125 V.AC	0.010 to 0.068		○						Ammo	() B2
		0.082 to 0.22			○					Ammo	() B6
		0.27 to 2.7					○			Ammo	() B3
		0.082 to 0.68						○		Ammo	R() B
		0.82 to 2.7							○	Ammo	R() B

- Lead spacing

Style	Lead spacing
AD	5.0 mm
AS	5.0 mm
AB	5.0 mm
C	5.0 mm
D	7.5 mm
E	7.5 mm

* See the column "Rating · Dimensions · Quantity" for packing quantity

Rating · Dimensions · Quantity

● Rated voltage : 250 V.DC, Capacitance tolerance : $\pm 5\%$ (J), $\pm 10\%$ (K)

Part No.	Cap. (μ F)	Dimensions (mm)							Min. order Q'ty							
		L max.	T max.	H max.		F		S	ϕ d	Taping			Bulk			
				Straight	Crimped lead	Straight	Crimped lead	Standard 5 mm		Odd size 5 mm	Odd size 7.5 mm					
ECQE2103□B()	0.010	7.9	4.2	7.1	12.1	5.0	5.0	0.5	2000							
ECQE2123□B()	0.012	7.9	4.2	7.1	12.1	5.0	5.0	0.5								
ECQE2153□B()	0.015	7.9	4.2	7.1	12.1	5.0	5.0	0.5								
ECQE2183□B()	0.018	7.9	4.3	7.2	12.2	5.0	5.0	0.5								
ECQE2223□B()	0.022	7.9	4.3	7.2	12.2	5.0	5.0	0.5								
ECQE2273□B()	0.027	7.9	4.3	7.2	12.2	5.0	5.0	0.5								
ECQE2333□B()	0.033	7.9	4.3	7.2	12.2	5.0	5.0	0.5								
ECQE2393□B()	0.039	7.9	4.5	7.4	12.4	5.0	5.0	0.5	1500			-				
ECQE2473□B()	0.047	7.9	4.5	7.4	12.4	5.0	5.0	0.5								
ECQE2563□B()	0.056	7.9	4.7	7.7	12.7	5.0	5.0	0.5								
ECQE2683□B()	0.068	7.9	5.1	8.0	13.0	5.0	5.0	0.5								
ECQE2823□B()	0.082	7.9	5.4	8.6	13.6	5.0	5.0	0.5								
ECQE2104□B()	0.10	7.9	5.9	9.0	14.0	5.0	5.0	0.5					1000	-		
ECQE2124□B()	0.12	7.9	5.7	10.6	15.6	5.0	5.0	0.5					1500			
ECQE2154□B()	0.15	7.9	6.3	11.2	16.2	5.0	5.0	0.5	1000							
ECQE2184□B()	0.18	10.3	5.0	9.7	14.7	7.5	5.0	0.5	1500		1500	500				
ECQE2224□B()	0.22	10.3	5.4	10.1	15.1	7.5	5.0	0.5								
ECQE2274□B()	0.27	10.3	5.9	10.8	15.8	7.5	5.0	0.5	1000		1000					
ECQE2334□B()	0.33	10.3	6.4	11.3	16.3	7.5	5.0	0.5								
ECQE2394□B()	0.39	12.3	5.7	10.9	15.9	10.0	5.0	0.6								
ECQE2474□B()	0.47	12.3	6.2	11.4	16.4	10.0	5.0	0.6								
ECQE2564□B()	0.56	12.3	6.7	11.9	16.9	10.0	5.0	0.6								
ECQE2684□B()	0.68	12.3	7.3	12.7	17.7	10.0	5.0	0.6				900				
ECQE2824□B()	0.82	15.3	6.3	13.3	18.3	12.5	5.0	0.6				600		500		
ECQE2105□B()	1.0	15.3	7.0	14.0	19.0	12.5	5.0	0.6	500	400						
ECQE2125□B()	1.2	15.3	7.6	14.6	19.6	12.5	5.0	0.6	400	300						
ECQE2155□B()	1.5	15.3	8.6	15.7	20.7	12.5	5.0	0.6	-		400					
ECQE2185□B()	1.8	20.8	7.6	14.6	19.6	17.5	10.0	0.8								
ECQE2225□B()	2.2	20.8	8.4	15.6	20.6	17.5	10.0	0.8								
ECQE2275□B()	2.7	20.8	9.3	16.7	21.7	17.5	10.0	0.8								
ECQE2335□B()	3.3	20.8	10.5	17.9	22.9	17.5	10.0	0.8					-		300	
ECQE2395□B()	3.9	20.8	10.8	19.8	24.8	17.5	10.0	0.8								
ECQE2475□B()	4.7	20.8	11.9	21.0	26.0	17.5	10.0	0.8								

* □ : Capacitance tolerance code
() : Suffix for lead crimped or taped type

Style D : 0.010 μ F to 0.68 μ F
Style B : 0.82 μ F to 4.7 μ F

勝特力材料 886-3-5753170
 勝特力电子(上海) 86-21-34970699
 勝特力电子(深圳) 86-755-83298787
[Http://www.100y.com.tw](http://www.100y.com.tw)

Rating · Dimensions · Quantity

● Rated voltage : 125 V.AC, Capacitance tolerance : ± 5 % (J), ±10 % (K)

Part No.	Cap. (μF)	Dimensions (mm)							Min. order Q'ty							
		L max.	T max.	H max.		F		S	φd	Taping			Bulk			
				Straight	Crimped lead	Straight	Crimped lead	Standard 5 mm		Odd size 5 mm	Odd size 7.5 mm					
ECQE1A103□B()	0.010	7.9	4.2	7.1		5.0		0.5	2000							
ECQE1A123□B()	0.012	7.9	4.2	7.1		5.0		0.5								
ECQE1A153□B()	0.015	7.9	4.2	7.1		5.0		0.5								
ECQE1A183□B()	0.018	7.9	4.3	7.2		5.0		0.5								
ECQE1A223□B()	0.022	7.9	4.3	7.2		5.0		0.5								
ECQE1A273□B()	0.027	7.9	4.3	7.2	-	5.0	-	0.5								
ECQE1A333□B()	0.033	7.9	4.3	7.2		5.0		0.5								
ECQE1A393□B()	0.039	7.9	4.5	7.4		5.0		0.5								
ECQE1A473□B()	0.047	7.9	4.8	7.7		5.0		0.5								
ECQE1A563□B()	0.056	7.9	5.1	8.0		5.0		0.5								
ECQE1A683□B()	0.068	7.9	5.4	8.6		5.0		0.5								
ECQE1A823□B()	0.082	10.3	4.6	7.6	12.6	7.5	7.5	0.5					1500		1500	
ECQE1A104□B()	0.10	10.3	5.1	7.7	12.7	7.5	7.5	0.5								
ECQE1A124□B()	0.12	10.3	5.3	8.4	13.4	7.5	7.5	0.5								
ECQE1A154□B()	0.15	10.3	5.7	8.9	13.9	7.5	7.5	0.5								
ECQE1A184□B()	0.18	10.3	5.6	10.3	15.3	7.5	7.5	0.5								
ECQE1A224□B()	0.22	10.3	6.1	11.0	16.0	7.5	7.5	0.5	1000		1000	500				
ECQE1A274□B()	0.27	12.3	5.4	10.7	15.7	10.0	7.5	0.6								
ECQE1A334□B()	0.33	12.3	5.9	11.2	16.2	10.0	7.5	0.6								
ECQE1A394□B()	0.39	12.3	6.4	11.6	16.6	10.0	7.5	0.6								
ECQE1A474□B()	0.47	12.3	7.0	12.2	17.2	10.0	7.5	0.6								
ECQE1A564□B()	0.56	12.3	6.7	11.9	16.9	10.0	7.5	0.6								
ECQE1A684□B()	0.68	12.3	7.3	12.7	17.7	10.0	7.5	0.6								
ECQE1A824□B()	0.82	15.3	6.3	13.3	18.3	12.5	7.5	0.6								
ECQE1A105□B()	1.0	15.3	7.0	14.0	19.0	12.5	7.5	0.6								
ECQE1A125□B()	1.2	20.8	7.1	14.1	19.1	17.5	10.0	0.8								
ECQE1A155□B()	1.5	20.8	8.0	15.1	20.1	17.5	10.0	0.8								
ECQE1A185□B()	1.8	20.8	8.7	15.9	20.9	17.5	10.0	0.8								
ECQE1A225□B()	2.2	20.8	9.7	17.1	22.1	17.5	10.0	0.8								
ECQE1A275□B()	2.7	20.8	10.9	18.2	23.2	17.5	10.0	0.8								
ECQE1A335□B()	3.3	25.8	9.6	18.7	23.7	22.5	15.0	0.8								
ECQE1A395□B()	3.9	25.8	10.6	19.7	24.7	22.5	15.0	0.8								
ECQE1A475□B()	4.7	25.8	11.8	20.8	25.8	22.5	15.0	0.8								

* □ : Capacitance tolerance code
() : Suffix for lead crimped or taped type

Style D : 0.082 μF to 0.68 μF
Style B : 0.82 μF to 4.7 μF

Notice for AC rated

AC rated capacitors complying with clause 1 of "Electrical Appliance and Material Safety Law".
As for clause 2 of "Electrical Appliance and Material Safety Law", please use ECQUA type or ECQUL type.

When using these capacitors as a across-the-line capacitor, it shall be required to follow either item 1. or item 2. condition.

1. Capacitor shall be connected in parallel with varistor (Specified varistor voltage in table 1.)
2. Voltage applied for capacitor shall not exceed other than specified in table 1, when using these capacitors.

Table 1

Capacitor rated voltage	Varistor voltage	Pulse voltage
125 V.AC	250 V	250 V _{0,P}