

Resin Dipped Type

Series: EF Type : F

■ Features Lead wire terminal (Standard)

Japan

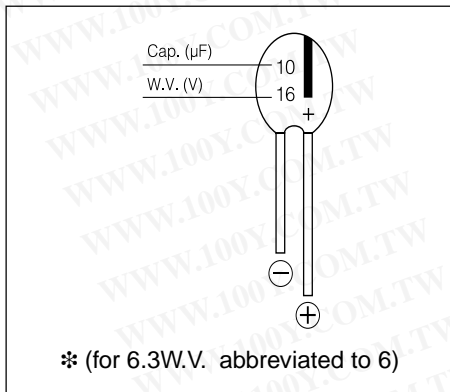


勝特力材料 886-3-5753170
 胜特力电子(上海) 86-21-54151736
 胜特力电子(深圳) 86-755-83298787
 Http://www.100y.com.tw

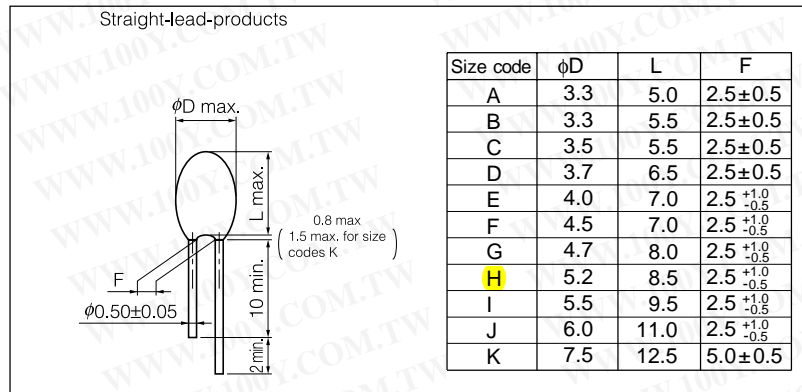
■ Specifications

Category temp. range	-55 to + 85°C (W.V. ≥ 10V.DC : -55 to 105°C)	
Rated W.V. Range	4 to 50 V .DC	
Nominal Cap. Range	0.1 to 220 μF	
Capacitance Tolerance	±20 % or ±10% (120Hz/+20°C)	
DC Leakage Current	I ≤ 0.008 CV or 0.05 (μA) after 2 minutes application of rated working voltage at +20 °C. (whichever is the greater)	
tan δ	Please see the attached standard products list	
Moisture Resistance	After 500 hours exposure at +40 °C and 90 to 95 % R.H. without load, the capacitor shall meet the following limits.	
	Capacitance change	± 10 % of initial measured value
	tan δ	≤ 150 % of initial specified value
Endurance	After 2000 hours application of rated DC working voltage at +85°C or 1000 hours at +105°C with derated voltage for 10 to 50 W.V., the capacitor shall meet the following limits.	
	Capacitance change	±10% of initial measured value
	tan δ	≤ initial specified value
	DC leakage current	0.01 CV or 0.625 (μA) max. whichever is the greater

■ Marking



■ Dimensions in mm (not to scale)



■ Case size

Cap.(μF)	W.V.(V.DC)	4(OG)	6.3(OJ)	10(1A)	16(1C)	25(1E)	35(1V)	50(1H)
0.10 (104)							A	A
0.15 (154)							A	A
0.22 (224)							A	B
0.33 (334)							A	C
0.47 (474)							B	D
0.68 (684)							B	D
1.0 (105)					A	B	C	E
1.5 (155)					B	C	C	F
2.2 (225)				B	C	C	D	G
3.3 (335)				C	C	D	E	H
4.7 (475)			C	C	D	E	F	I
6.8 (685)		C	C	D	E	F	H	
10 (106)		C	D	E	F	H	I	
15 (156)		D	E	F	G	I	J	
22 (226)		E	F	G	H	J	K	
33 (336)		F	G	H	I	K		
47 (476)		G	H	I	J			
68 (686)		H	I	J	K			
100 (107)		I	J	K				
150 (157)		J	K					
220 (227)		K						

Note: 1. () shows W.V. and capacitance code.
 2. Products designated by (●) have the voltage code on the body.

Rev.02/04

Standard Products

W.V. (V)	Cap. (120Hz) (+20°C) (μF)	Body Size			Specification		Lead Space			Part No.	Min. Packaging Qty	
		Dia. (mm)	Length (mm)	Size Code	tanδ (120Hz) (+20°C)	L.C (μA)	Straight (mm)	Taping B1 (mm)	Taping BB (mm)		Straight Leads (pcs)	Taping (pcs)
4	6.8	3.5 [4.5]	5.5 [9]	C	0.1	0.3	2.5	2.5	5.0	ECSF0GE685()	200	2000
	10	3.5 [4.5]	5.5 [9]	C	0.1	0.4	2.5	2.5	5.0	ECSF0GE106()	200	2000
	15	3.7 [5]	6.5 [9]	D	0.1	0.5	2.5	2.5	5.0	ECSF0GE156()	200	2000
	22	4 [5.5]	7 [9]	E	0.1	0.8	2.5	2.5	5.0	ECSF0GE226()	200	2000
	33	4.5 [5.5]	7 [10]	F	0.1	1.1	2.5	2.5	5.0	ECSF0GE336()	200	2000
	47	4.7 [6]	8 [11]	G	0.1	1.6	2.5	2.5	5.0	ECSF0GE476()	200	2000
	68	5.2 [6]	8.5[11.5]	H	0.1	2.2	2.5	2.5	5.0	ECSF0GE686()	200	2000
	100	5.5 [6.5]	9.5[12.5]	I	0.1	3.2	2.5	2.5	5.0	ECSF0GE107()	200	2000
	150	6	11	J	0.1	4.8	2.5			ECSF0GE157()	200	
6.3	220	7.5	12.5	K	0.1	7.1	5.0			ECSF0GE227()	100	
	4.7	3.5 [4.5]	5.5 [9]	C	0.06	0.3	2.5	2.5	5.0	ECSF0JE475()	200	2000
	6.8	3.5 [4.5]	5.5 [9]	C	0.06	0.4	2.5	2.5	5.0	ECSF0JE685()	200	2000
	10	3.7 [5]	6.5 [9]	D	0.06	0.6	2.5	2.5	5.0	ECSF0JE106()	200	2000
	15	4 [5.5]	7 [9]	E	0.06	0.8	2.5	2.5	5.0	ECSF0JE156()	200	2000
	22	4.5 [5.5]	7 [10]	F	0.06	1.2	2.5	2.5	5.0	ECSF0JE226()	200	2000
	33	4.7 [6]	8 [11]	G	0.06	1.7	2.5	2.5	5.0	ECSF0JE336()	200	2000
	47	5.2 [6]	8.5[11.5]	H	0.06	2.4	2.5	2.5	5.0	ECSF0JE476()	200	2000
	68	5.5 [6.5]	9.5[12.5]	I	0.06	3.5	2.5	2.5	5.0	ECSF0JE686()	200	2000
10	100	6	11	J	0.08	5.1	2.5			ECSF0JE107()	200	
	150	7.5	12.5	K	0.08	7.6	5.0			ECSF0JE157()	100	
	2.2	3.3 [4.5]	5.5 [9]	B	0.06	0.2	2.5	2.5	5.0	ECSF1AE225()	200	2000
	3.3	3.5 [4.5]	5.5 [9]	C	0.06	0.3	2.5	2.5	5.0	ECSF1AE335()	200	2000
	4.7	3.5 [4.5]	5.5 [9]	C	0.06	0.4	2.5	2.5	5.0	ECSF1AE475()	200	2000
	6.8	3.7 [5]	6.5 [9]	D	0.06	0.6	2.5	2.5	5.0	ECSF1AE685()	200	2000
	10	4 [5.5]	7 [9]	E	0.06	0.8	2.5	2.5	5.0	ECSF1AE106()	200	2000
	15	4.5 [5.5]	7 [10]	F	0.06	1.2	2.5	2.5	5.0	ECSF1AE156()	200	2000
	22	4.7 [6]	8 [11]	G	0.06	1.8	2.5	2.5	5.0	ECSF1AE226()	200	2000
16	33	5.2 [6]	8.5[11.5]	H	0.06	2.7	2.5	2.5	5.0	ECSF1AE336()	200	2000
	47	5.5 [6.5]	9.5[12.5]	I	0.06	3.8	2.5	2.5	5.0	ECSF1AE476()	200	2000
	68	6	11	J	0.06	5.5	2.5			ECSF1AE686()	200	
	100	7.5	12.5	K	0.08	8.0	5.0			ECSF1AE107()	100	
	1	3.3 [4.5]	5 [9]	A	0.04	0.2	2.5	2.5	5.0	ECSF1CE105()	200	2000
	1.5	3.3 [4.5]	5.5 [9]	B	0.06	0.2	2.5	2.5	5.0	ECSF1CE155()	200	2000
	2.2	3.5 [4.5]	5.5 [9]	C	0.06	0.3	2.5	2.5	5.0	ECSF1CE225()	200	2000
	3.3	3.5 [4.5]	5.5 [9]	C	0.06	0.5	2.5	2.5	5.0	ECSF1CE335()	200	2000
	4.7	3.7 [5]	6.5 [9]	D	0.06	0.7	2.5	2.5	5.0	ECSF1CE475()	200	2000
16	6.8	4 [5.5]	7 [9]	E	0.06	0.9	2.5	2.5	5.0	ECSF1CE685()	200	2000
	10	4.5 [5.5]	7 [10]	F	0.06	1.3	2.5	2.5	5.0	ECSF1CE106()	200	2000
	15	4.7 [6]	8 [11]	G	0.06	2.0	2.5	2.5	5.0	ECSF1CE156()	200	2000
	22	5.2 [6]	8.5[11.5]	H	0.06	2.9	2.5	2.5	5.0	ECSF1CE226()	200	2000
	33	5.5 [6.5]	9.5[12.5]	I	0.06	4.3	2.5	2.5	5.0	ECSF1CE336()	200	2000
	47	6	11	J	0.06	6.1	2.5			ECSF1CE476()	200	
	68	7.5	12.5	K	0.06	8.8	5.0			ECSF1CE686()	100	

Diameter, length in brackets [] represent the formed lead type such as H,KH,BB,2B
 When requesting taped product, please put the letter "B1" or "BB" between the "()".

Design, Specifications are subject to change without notice. Ask factory for technical specifications before purchase and/or use.
 Whenever a doubt about safety arises from this product, please inform us immediately for technical consultation without fail.

Standard Products

W.V. (V)	Cap. (120Hz) (+20°C) (μF)	Body Size			Specification		Lead Space			Part No.	Min. Packaging Q'ty	
		Dia. (mm)	Length (mm)	Size Code	tanδ (120Hz) (+20°C)	L.C (μA)	Straight (mm)	Taping B1 (mm)	Taping BB (mm)		Straight Leads (pcs)	Taping (pcs)
25	1	3.3 [4.5]	5.5 [9]	B	0.04	0.2	2.5	2.5	5.0	ECSF1EE105()	200	2000
	1.5	3.5 [4.5]	5.5 [9]	C	0.06	0.3	2.5	2.5	5.0	ECSF1EE155()	200	2000
	2.2	3.5 [4.5]	5.5 [9]	C	0.06	0.5	2.5	2.5	5.0	ECSF1EE225()	200	2000
	3.3	3.7 [5]	6.5 [9]	D	0.06	0.7	2.5	2.5	5.0	ECSF1EE335()	200	2000
	4.7	4 [5.5]	7 [9]	E	0.06	1.0	2.5	2.5	5.0	ECSF1EE475()	200	2000
	6.8	4.5 [5.5]	7 [10]	F	0.06	1.4	2.5	2.5	5.0	ECSF1EE685()	200	2000
	10	5.2 [6]	8.5[11.5]	H	0.06	2.0	2.5	2.5	5.0	ECSF1EE106()	200	2000
	15	5.5 [6.5]	9.5[12.5]	I	0.06	3.0	2.5	2.5	5.0	ECSF1EE106()	200	2000
	22	6	11	J	0.06	4.4	2.5			ECSF1EE226()	200	
33	7.5	12.5	K	0.06	6.6	5.0			ECSF1EE336()	100		
35	0.1	3.3 [4.5]	5 [9]	A	0.04	0.05	2.5	2.5	5.0	ECSF1VE104()	200	2000
	0.15	3.3 [4.5]	5 [9]	A	0.04	0.05	2.5	2.5	5.0	ECSF1VE154()	200	2000
	0.22	3.3 [4.5]	5 [9]	A	0.04	0.07	2.5	2.5	5.0	ECSF1VE224()	200	2000
	0.33	3.3 [4.5]	5 [9]	A	0.04	0.1	2.5	2.5	5.0	ECSF1VE334()	200	2000
	0.47	3.3 [4.5]	5.5 [9]	B	0.04	0.2	2.5	2.5	5.0	ECSF1VE474()	200	2000
	0.68	3.3 [4.5]	5.5 [9]	B	0.04	0.2	2.5	2.5	5.0	ECSF1VE686()	200	2000
	1	3.5 [4.5]	5.5 [9]	C	0.04	0.3	2.5	2.5	5.0	ECSF1VE105()	200	2000
	1.5	3.5 [4.5]	5.5 [9]	C	0.06	0.5	2.5	2.5	5.0	ECSF1VE155()	200	2000
	2.2	3.7 [5]	6.5 [9]	D	0.06	0.7	2.5	2.5	5.0	ECSF1VE225()	200	2000
	3.3	4 [5.5]	7 [9]	E	0.06	1.0	2.5	2.5	5.0	ECSF1VE335()	200	2000
	4.7	4.5 [5.5]	7 [10]	F	0.06	1.4	2.5	2.5	5.0	ECSF1VE475()	200	2000
	6.8	5.2 [6]	8.5[11.5]	H	0.06	2.0	2.5	2.5	5.0	ECSF1VE685()	200	2000
	10	5.5 [6.5]	9.5[12.5]	I	0.06	2.8	2.5	2.5	5.0	ECSF1VE106()	200	2000
15	6	11	J	0.06	4.2	2.5			ECSF1VE156()	200		
22	7.5	12.5	K	0.06	6.2	5.0			ECSF1VE226()	100		
50	0.1	3.3 [4.5]	5 [9]	A	0.04	0.05	2.5	2.5	5.0	ECSF1HE104()	200	2000
	0.15	3.3 [4.5]	5 [9]	A	0.04	0.06	2.5	2.5	5.0	ECSF1HE154()	200	2000
	0.22	3.3 [4.5]	5.5 [9]	B	0.04	0.09	2.5	2.5	5.0	ECSF1HE224()	200	2000
	0.33	3.5 [4.5]	5.5 [9]	C	0.04	0.2	2.5	2.5	5.0	ECSF1HE334()	200	2000
	0.47	3.7 [5]	6.5[9]	D	0.04	0.2	2.5	2.5	5.0	ECSF1HE474()	200	2000
	0.68	3.7 [5]	6.5[9]	D	0.04	0.3	2.5	2.5	5.0	ECSF1HE684()	200	2000
	1	4 [5.5]	7 [9]	E	0.04	0.4	2.5	2.5	5.0	ECSF1HE105()	200	2000
	1.5	4.5 [5.5]	7 [10]	F	0.06	0.6	2.5	2.5	5.0	ECSF1HE155()	200	2000
	2.2	4.7 [6]	8 [11]	G	0.06	0.9	2.5	2.5	5.0	ECSF1HE225()	200	2000
	3.3	5.2 [6]	8.5[11.5]	H	0.06	1.4	2.5	2.5	5.0	ECSF1HE335()	200	2000
4.7	5.5 [6.5]	9.5[12.5]	I	0.06	1.9	2.5	2.5	5.0	ECSF1HE475()	200	2000	

Suffix for the Part Numbers in ()

Lead style Capacitance Tolerance	Bulk		Taping	
	Straight Lead A~J Size : 2.5mm K Size : 5.0mm	Formed Lead A~J Size : 5.0mm K Size : N/A	Straight Lead A~I Size : 2.5mm J, K Size : N/A	Formed Lead A~I Size : 5.0mm J, K Size : N/A
± 20%	Not applicable	H	B1	BB
± 10%	K	KH	B2	2B

Diameter, length in brackets [] represent the formed lead type such as H,KH,BB,2B

When requesting taped product, please put the letter "B1" or "BB" between the "()".

Design, Specifications are subject to change without notice. Ask factory for technical specifications before purchase and/or use. Whenever a doubt about safety arises from this product, please inform us immediately for technical consultation without fail.