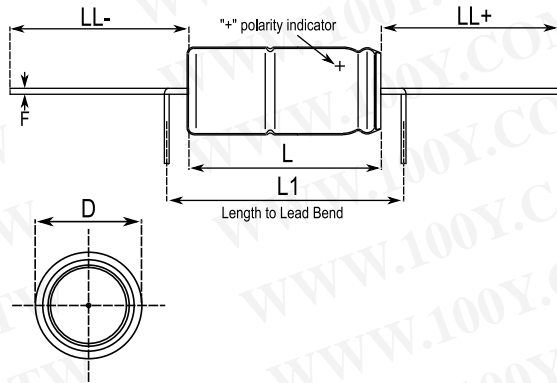


Capacitor, aluminum, 2200 uF, -10/+30% Tol



Dimensions (mm)		
Symbol	Dimension	Tolerance
D	20	+/-0.5
L	34	+/-1
L1	41	MIN
LLPos	42	+/-2
LLNeg	42	+/-2
F	1	+/-0.03

Packaging Specifications	
Package Kind:	Bulk
Package Quantity:	125

General Information	
Supplier:	KEMET
Part Type Description:	Axial Cylindrical Aluminum Electrolytic
Style:	Axial Cylindrical

Specifications	
Capacitance:	2200 uF
Voltage @ rated temp:	40VDC
Rated Temperature:	150C
Tolerance:	-10/+30%
Life @ rated temp:	2000 Hrs
RoHS:	Yes
Low Z/ESR:	Yes
Temperature Range:	-40/+150C
Lead Type:	Wire Leads
Leakage Current:	264 uA
Leakage Condition:	5min/20c
Resistance/ESR:	41 mOhms (100Hz 20C)
Resistance/ESR:	17 mOhms (100kHz 20C)
Resistance/ESR:	7.9 mOhms (5-100kHz 125-150C)
Current/Ripple Current:	25.7 A (>=5kHz 125C with heat-sink)
Current/Ripple Current:	16.2 A (>=5kHz 140C with heat-sink)
Current/Ripple Current:	7.3 A (>=5kHz 150C with heat-sink)
Current/Ripple Current:	8.9 A (>=5kHz 125C Rated)
Current/Ripple Current:	11.2 A (>=5kHz 125C Max)

勝特力材料 886-3-5753170
 勝特力电子(上海) 86-21-34970699
 勝特力电子(深圳) 86-755-83298787
[Http://www.100y.com.tw](http://www.100y.com.tw)