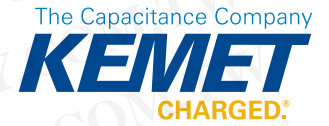
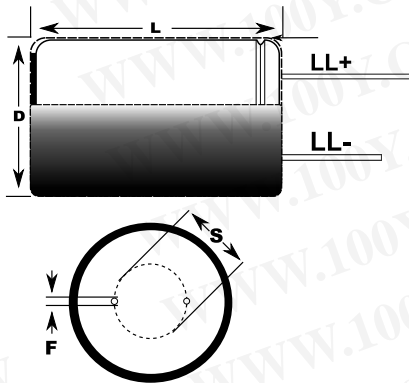


KEMET Part Number: ESG226M400AL4AA



Capacitor, aluminum, 22 uF, +/-20% Tol, -25/+105C, 400V@105C



| General Information | |
|------------------------|--|
| Manufacturer: | KEMET |
| Part Type Description: | Radial Cylindrical Aluminum Electrolytic |
| Style: | Radial Cylindrical |
| Lead Type: | Straight |

| Specifications | |
|-----------------------------|-----------|
| Capacitance: | 22 uF |
| Tolerance: | +/-20% |
| Rated Temperature: | 105C |
| Voltage @ rated temp: | 400V |
| VDC Surge: | 450WVDC |
| Life @ rated temp: | 5000 h |
| RoHS: | Yes |
| Low Z/ESR: | Yes |
| Temperature Range: | -25/+105C |
| Leakage Current: | 538 uA |
| Leakage Condition: | 2min/20c |
| Dissipation Factor: | 24% |
| Impedance @ 100kHz: | 1.35 Ohm |
| Impedance Ratio -25C: | 5.0 |
| Impedance Ratio -40C: | 6.0 |
| Ripple 120Hz @ rated temp: | 0.17 A |
| Ripple 100kHz @ rated temp: | 0.272 A |

| Dimensions (mm) | | |
|-----------------|-----------|-----------|
| Symbol | Dimension | Tolerance |
| D | 13 | +/-0.5 |
| L | 25 | +2 |
| S | 5 | +/-0.5 |
| LLPos | 20 | MIN |
| LLNeg | 15 | MIN |
| F | 0.6 | |

| Packaging Specifications | |
|--------------------------|------|
| Package Kind: | Bulk |
| Package Quantity: | 1600 |

勝特力材料 886-3-5753170
 勝特力电子(上海) 86-21-34970699
 勝特力电子(深圳) 86-755-83298787
[Http://www.100y.com.tw](http://www.100y.com.tw)

Statements of suitability for certain applications are based on our knowledge of typical operating conditions for such applications, but are not intended to constitute - and we specifically disclaim - any warranty concerning suitability for a specific customer application or use. This Information is intended for use only by customers who have the requisite experience and capability to determine the correct products for their application. Any technical advice inferred from this Information or otherwise provided by us with reference to the use of our products is given gratis, and we assume no obligation or liability for the advice given or results obtained.

