

勝特力材料 886-3-5753170
 勝特力电子(上海) 86-21-34970699
 勝特力电子(深圳) 86-755-83298787
[Http://www.100y.com.tw](http://www.100y.com.tw)

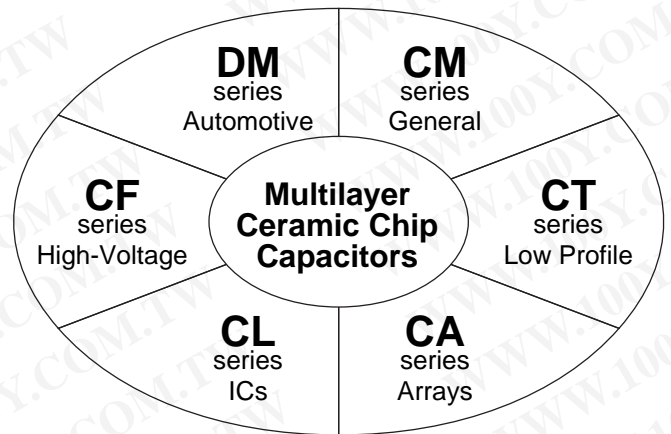
Kyocera's series of Multilayer Ceramic Chip Capacitors are designed to meet a wide variety of needs. We offer a complete range of products for both general and specialized applications, including CM series for general-purpose, CT series for low profile, CA series for arrays, CL series for ICs, CF series for high-voltage, and DM series for automotive.

Features

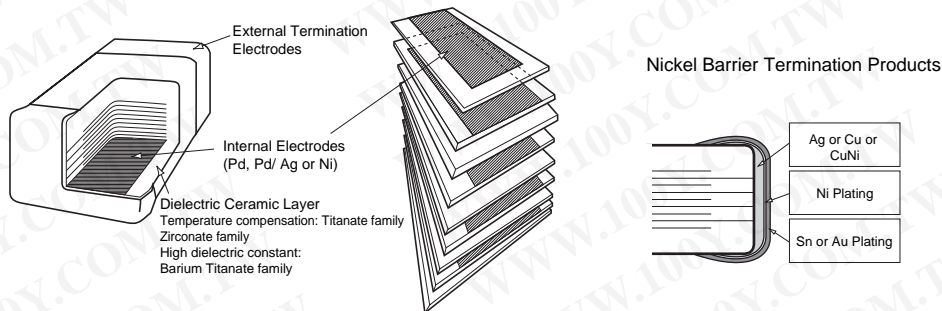
- We have factories worldwide in order to supply our global customer bases quickly and efficiently and to maintain our reputation as one of the highest-volume producers in the industry.
- All our products are highly reliable due to their monolithic structure of high-purity and superfine uniform ceramics and their integral internal electrodes.
- By combining superior manufacturing technology and materials with high dielectric constants, we produce extremely compact components with exceptional specifications.
- Our stringent quality control in every phase of production from material procurement to shipping ensures consistent manufacturing and super quality.
- Kyocera components are available in a wide choice of dimensions, temperature characteristics, rated voltages, and terminations to meet specific configurational requirements.



RoHS Compliant



Structure



Tape and Reel



Bulk Case



Please contact your local AVX, Kyocera sales office or distributor for specifications not covered in this catalog.

Our products are continually being improved. As a result, the capacitance range of each series is subject to change without notice. Please contact an sales representative to confirm compatibility with your application.

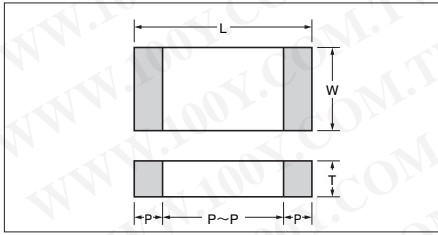
Kyocera Ceramic Chip Capacitors are available for different applications as classified below:

Series	Dielectric Options	Typical Applications	Features	Terminations	Available Size
CM	C0G (NP0) X5R X7R *X6S *X7S Y5V	General purpose	Wide cap range	Nickel barrier	01005, 0201, 0402 0603, 0805, 1206 1210, 1812
CT	X5R X7R Y5V	IC card (Decoupling)	Low profile	Nickel barrier	0201, 0402, 0603 0805, 1206, 1210
CA	C0G (NP0) X5R, X7R	Digital signal Pass line	Reduction in placing cost	Nickel barrier	0405, 0508
CL	X7S	ICs (Decoupling)	Low inductance	Nickel barrier	0204, 0306
CF	C0G (NP0) X7R	High voltage & Power circuits	High voltage 250VDC, 630VDC 1000VDC, 2000VDC 3000VDC, 4000VDC	Nickel barrier	0805, 1206, 1210 1812, 2208, 1808 2220
DM	X7R	Automotive	Thermal shock Resistivity High reliability	Nickel barrier	0603,0805,1206

* Option

* Negative temperature coefficient dielectric types are available on request.

Dimensions



Dimensions and Packaging Quantities

Size	Code		Dimension Code	Dimensions (mm)						Maximum quantity per reel	
	JIS	EIA		L	W	T	P min.	P max.	P to P min.	φ180 Reel	φ330 Reel
02	0402	01005	A	0.4±0.02	0.2±0.02	0.2±0.02	0.07	0.14	0.13	40kp (E4/1) 20kp (P8/2)	-
			B	0.6±0.03	0.3±0.03	0.22 max. 0.3±0.03	0.10	0.20	0.20	30kp (P8/1) 15kp (P8/2)	150kp (P8/1) 50kp (P8/2)
03	0603	0201	C	0.6±0.05	0.3±0.05	0.3±0.05	0.13	0.23	0.19	30kp (P8/1) 15kp (P8/2)	150kp (P8/1) 50kp (P8/2)
			D	0.6±0.09	0.3±0.09	0.3±0.09 0.25 max.	0.10	0.20	0.20	15kp (P8/2)	-
			E			0.25 max.				15kp (P8/2)	-
			F			0.35 max.				20kp (P8/1) 10kp (P8/2)	100kp (P8/1) 50kp (P8/2)
			G			0.5±0.05				20kp (P8/1) 10kp (P8/2)	100kp (P8/1) 50kp (P8/2)
05	1005	0402	H	1.0±0.05	0.5±0.05	0.35 max.	0.15	0.35	0.30	20kp (P8/1) 10kp (P8/2)	100kp (P8/1) 50kp (P8/2)
			I			0.5±0.05				20kp (P8/1) 10kp (P8/2)	100kp (P8/1) 50kp (P8/2)
			J	1.0±0.10	0.5±0.10	0.35 max.				20kp (P8/1) 10kp (P8/2)	100kp (P8/1) 50kp (P8/2)
			K			0.5±0.10				20kp (P8/1) 10kp (P8/2)	50kp (P8/2)
			L	1.0±0.15	0.5±0.15	0.5±0.15				20kp (P8/1) 10kp (P8/2)	50kp (P8/2)
			M			0.55 max.				4kp (P8/4)	10kp (P8/4)
			N			0.8±0.10				8kp (P8/2) 4kp (P8/4)	20kp (P8/2) 10kp (P8/4)
105	1608	0603	O	1.6±0.10	0.8±0.10	0.8±0.10	0.20	0.60	0.50	8kp (P8/2) 4kp (P8/4)	20kp (P8/2) 10kp (P8/4)
			P	1.6±0.15	0.8±0.15	0.55 max. 0.8±0.15				8kp (P8/2) 4kp (P8/4)	20kp (P8/2) 10kp (P8/4)
			Q	1.6±0.2	0.8±0.2	0.55 max.				8kp (P8/2) 4kp (P8/4)	20kp (P8/2) 10kp (P8/4)
			R			0.8±0.2				*	-
			S			0.55 max.				4kp (P8/4)	10kp (P8/4)
			T			0.95 max.				4kp (P8/4)	10kp (P8/4)
21	2012	0805	U	2.0±0.10	1.25±0.10	1.00 max.	0.20	0.75	0.70	4kp (P8/4)	10kp (P8/4)
			V			0.60±0.1				4kp (P8/4)	10kp (P8/4)
			W			0.85±0.10				4kp (P8/4)	10kp (P8/4)
			X			1.05±0.10				3kp (E8/4)	10kp (E8/4)
			Y			1.25±0.10				3kp (E8/4)	10kp (E8/4)
			Z			0.55 max.				4kp (P8/4)	10kp (P8/4)
			AA	2.0±0.15	1.25±0.15	0.95 max.				4kp (P8/4)	10kp (P8/4)
			AB			1.25±0.15				3kp (E8/4)	10kp (E8/4)
			AC			0.95 max.				4kp (P8/4)	10kp (P8/4)
			AD	2.0±0.20	1.25±0.20	1.25±0.20				3kp (E8/4)	10kp (E8/4)
			AE			0.85±0.10				4kp (P8/4)	10kp (P8/4)
316	3216	1206	AF	3.2±0.20	1.6±0.15	1.00 max.	0.30	0.85	1.40	4kp (P8/4)	10kp (P8/4)
			AG			1.15±0.10				4kp (P8/4)	10kp (P8/4)
			AH			1.25±0.10				3kp (E8/4)	10kp (E8/4)
			AI			1.6±0.15				2.5kp (E8/4)	5kp (E8/4)
			AJ	3.2±0.20	1.6±0.20	0.95 max.				4kp (P8/4)	10kp (P8/4)
			AK			1.00 max.				4kp (E8/4)	10kp (E8/4)
			AL			1.6±0.20				2.5kp (E8/4)	5kp (E8/4)
			AM			1.00 max.				4kp (E8/4)	10kp (E8/4)
			AN			1.6±0.20				4kp (E8/4)	10kp (E8/4)
			AO			1.6±0.20				2.5kp (E8/4)	5kp (E8/4)
32	3225	1210	AP	3.2±0.20	2.5±0.20	1.00 max.	0.30	1.00	1.40	4kp (E8/4)	10kp (E8/4)
			AQ			1.40 max.				3kp (E8/4)	10kp (E8/4)
			AR			1.60 max.				2.5kp (E8/4)	5kp (E8/4)
			AS			1.6±0.15				2.5kp (E8/4)	5kp (E8/4)
			AT			2.20 max.				2kp (E8/4)	5kp (E8/4)
			AU			2.0±0.2				2kp (E8/4)	5kp (E8/4)
			AV			2.5±0.2				1kp (E8/4)	4kp (E8/4)
			AW			1.6 max.	0.15	0.85	2.60	2kp (E12/4)	-
43	4532	1812	AX	4.5±0.30	3.2±0.20	2.2 max.	0.30	1.10	2.00	2kp (E12/4)	-
			AY			2.0±0.2				1kp (E12/8)	-
			AZ			2.5 max.				1kp (E12/8)	-
			BA			2.5±0.2				0.5kp (E12/8)	-
			BB			2.8 max.				0.5kp (E12/8)	-
			BC			2.8±0.2				0.5kp (E12/8)	-
52	5720	2208	BD	5.7±0.40	2.0±0.20	2.2 max.	0.15	0.85	4.20	2kp (12/8)	-
			BE			2.0 max.				1kp (E12/8)	-
55	5750	2220	BF	5.7±0.40	5.0±0.40	2.5 max.	0.30	1.40	2.50	0.5kp (E12/8)	-
			BG			2.8 max.				0.5kp (E12/8)	-
			BH			2.8 max.				0.5kp (E12/8)	-

Note: Taping denotes the quantity packaged per reel (kp means 1000 pieces).

* Please contact us.

KYOCERA PART NUMBER

CM 21 X7R 104 K 50 A T

SERIES CODE

CM = General Purpose CL = ICs
 CT = Low Profile CF = High Voltage
 CA = Arrays DM = Automotive

SIZE CODE

SIZE	EIA (JIS)	SIZE	EIA (JIS)	SIZE	EIA (JIS)
02	= 01005 (0402)	32	= 1210 (3225)	D11	= 0405 (1014)/ 2 cap
03	= 0201 (0603)	42	= 1808 (4520)	F12	= 0508 (1220)/ 4 cap
05	= 0402 (1005)	43	= 1812 (4532)		
105	= 0603 (1608)	52	= 2208 (5720)		
21	= 0805 (2012)	55	= 2220 (5750)		
316	= 1206 (3216)				

DIELECTRIC CODE

CG = C0G (NPO) X7S = X7S (Option)
 X5R = X5R X6S = X6S (Option)
 X7R = X7R Y5V = Y5V

Negative temperature coefficient dielectric types are available on request.

CAPACITANCE CODE

Capacitance expressed in pF.
 Two significant digits plus number of zeros.
 For Values < 10pF, Letter R denotes decimal point,
 eg. 100000pF = 104 1.5pF = 1R5
 0.1μF = 104 0.5pF = R50
 4700pF = 472 100μF = 107

TOLERANCE CODE

A = ±0.05pF (option) D = ±0.5pF K = ±10%
 B = ±0.1pF G = ±2% (option) M = ±20%
 C = ±0.25pF J = ±5% Z = -20 to +80%

VOLTAGE CODE

04 = 4VDC	100 = 100VDC	1000 = 1000VDC
06 = 6.3VDC	250 = 250VDC	2000 = 2000VDC
10 = 10VDC	400 = 400VDC	3000 = 3000VDC
16 = 16VDC	630 = 630VDC	4000 = 4000VDC
25 = 25VDC		
35 = 35VDC		
50 = 50VDC		

TERMINATION CODE

A = Nickel Barrier/ Tin K = Nickel Barrier/ Au

PACKAGING CODE

B = Bulk	H = 7" Reel Taping & 2mm Cavity pitch
C = Bulk Cassette (option)	N = 13" Reel Taping & 2mm Cavity pitch
T = 7" Reel Taping & 4mm or 8mm*1 Cavity pitch	W = 13" Reel Taping & 1mm Cavity pitch
Q = 7" Reel Taping & 1mm Cavity pitch	*P = 7" Reel Taping & 1mm Cavity pitch
L = 13" Reel Taping & 4mm Cavity pitch	* Carrier tape width 4mm.
	*1 Applied for size 43 to 55.

OPTION

Thickness max. value is indicated in CT series

EX. 125 → 1.25mm max.
 095 → 0.95mm max.

Temperature Compensation Type

Dielectric Value (pF)	C0G (NPO) 0 ppm/ °C	U Δ (N750) -750 ppm/ °C	SL +350 to -1000ppm/ °C
0.5 to 2.7	CK	UK	SL
3.0 to 3.9	CJ	UJ	SL
4.0 to 9.0	CH	UJ	SL
≥ 10	CG	UJ	SL

K = ± 250 ppm/ °C, J = ± 120 ppm/ °C, H = ± 60 ppm/ °C, G = ± 30 ppm/ °C
e.g. CG = 0 ± 30 ppm/ °C

Note: All parts of C0G will be marked as "CG" but will conform to the above table.

High Dielectric Constant Type

EIA Dielectric	Temperature Range	ΔC max.
X5R	-55 to 85°C	$\pm 15\%$
X7R	-55 to 125°C	
*X7S	-55 to 125°C	$\pm 22\%$
*X6S	-55 to 105°C	
Y5V	-30 to 85°C	-82 to +22%

* option

Available Tolerances

Dielectric materials, capacitance values and tolerances are available in the following combinations only:

EIA Dielectric	Tolerance	Capacitance
C0G	C = ± 0.25 pF D = ± 0.50 pF	*1 <10pF
	*3 A = ± 0.05 pF B = ± 0.1 pF	<0.5pF ≤ 5 pF
	*3 G = $\pm 2\%$ J = $\pm 5\%$ K = $\pm 10\%$	≥ 10 pF E12 Series
	*3 X6S X5R *3 X7S X7R	*2 K = $\pm 10\%$ M = $\pm 20\%$
Y5V	Z = -20% to +80%	E3 Series

Note:

*1 Nominal values below 10pF are available in the standard values of 0.5pF, 1.0pF, 1.5pF, 2.0pF, 3.0pF, 4.0pF, 5.0pF, 6.0pF, 7.0pF, 8.0pF, 9.0pF

*2 J = $\pm 5\%$ for X7R (X5R) is available on request.

*3 option

*4 E6 series is available on request.

E Standard Number

E3	E6	E12	E24 (Option)	
1.0	1.0	1.0	1.0	1.1
		1.2	1.2	1.3
	1.5	1.5	1.5	1.6
		1.8	1.8	2.0
2.2	2.2	2.2	2.2	2.4
		2.7	2.7	3.0
	3.3	3.3	3.3	3.6
		3.9	3.9	4.3
4.7	4.7	4.7	4.7	5.1
		5.6	5.6	6.2
	6.8	6.8	6.8	7.5
		8.2	8.2	9.1

Features

We offer a diverse product line ranging from ultra-compact (0.4×0.2mm) to large (4.5×3.2mm) components configured for a variety of temperature characteristics, rated voltages, and packages. We offer the choice and flexibility for almost any applications.

Applications

This standard type is ideal for use in a wide range of applications, from commercial to industrial equipment.

Temperature Compensation Dielectric

Size (EIA Code)	CM02 (01005)	CM03 (0201)			CM05 (0402)	CM105 (0603)	CM21 (0805)					
Temperature	CΔ*1	CΔ*1		UΔ*2		SL	CΔ*1	SL	CΔ*1	CΔ*1		
Rated Voltage (VDC)	16	25	50	16	25	25	50	50	50	16	25	50
Capacitance (pF)												
R20 0.2												
R50 0.5												
1R0 1.0												
1R5 1.5												
2.0												
3.0												
4.0												
5.0												
6.0												
7.0												
8.0												
9.0												
100 10												
120 12												
15 15												
18 18												
22 22												
27 27												
33 33												
39 39												
47 47												
56 56												
68 68												
82 82												
101 100												
121 120												
150 150												
180 180												
220 220												
270 270												
330 330												
390 390												
470 470												
560 560												
680 680												
820 820												
102 1000												
122 1200												
1500 1500												
1800 1800												
2200 2200												
2700 2700												
3300 3300												
3900 3900												
4700 4700												
5600 5600												
6800 6800												
8200 8200												
103 10000												
123 12000												
15000 15000												
18000 18000												

<Standard Capacitance Value>

E12 Series

Please contact for capacitance value other than standard.

Optional Spec.

*1: CG,CH,CJ,CK

*2: UJ,UK

Alphabets in capacitance chart denote dimensions. Please refer to the below table for detail.

(Example)

In case of "B" for CM03;

L : 0.6±0.03mm

W : 0.3±0.03mm

T : 0.3±0.03mm

Size	Size Code	Dimension (mm)		
		L	W	T
02	A	0.4±0.02	0.2±0.02	0.2±0.02
03	B	0.6±0.03	0.3±0.03	0.3±0.03
05	D	1.0±0.05	0.5±0.05	0.5±0.05
105	B	1.6±0.10	0.8±0.10	0.8±0.10
21	E	2.0±0.10	1.25±0.10	0.85±0.10
	G			1.25±0.10

X5R Dielectric

Size (EIA Code)	CM02 (01005)		CM03 (0201)				CM05 (0402)					CM105 (0603)					CM21 (0805)							
	Rated Voltage (VDC)	Capacitance (pF)	6.3	10	16	25	4	6.3	10	16	25	4	6.3	10	16	25	50	4	6.3	10	16	25	50	
101	100																							
151	150																							
	220																							
	330																							
	470																							
	680																							
102	1000																							
152	1500																							
	2200																							
	3300																							
	4700																							
103	10000																							
153	15000																							
	22000																							
	33000																							
	47000																							
	68000																							
104	100000																							
	220000																							
	470000																							
105	1000000																							
	2200000																							
	4700000																							
106	10000000																							
	22000000																							
	47000000																							
107	100000000																							

Size (EIA Code)	CM316 (1206)						CM32 (1210)					CM43 (1812)				
	Rated Voltage (VDC)	Capacitance (pF)	6.3	10	16	25	50	100	4	6.3	10	16	25	50	6.3	50
	220000															
	470000															
105	1000000															
	2200000															
	4700000															
106	10000000															
	22000000															
	47000000															
107	100000000															

<Standard Capacitance Value>
 CM21 size and smaller : E6 Series
 CM316 size and larger / capacitance value of 0.1μF and larger : E3 Series
 Please contact for capacitance value other than standard.
 Optional Spec.

Two digits alphanumeric in capacitance chart denote dimensions and tan δ.
 Please refer to the below table for detail.

(Example)
 In case of "B2" for CM03:
 L : 0.6±0.03mm
 W : 0.3±0.03mm
 T : 0.3±0.03mm
 Tan δ : 3.5% max.

Size	Size Code	Dimension (mm)		
		L	W	T
02	A	0.4±0.02	0.2±0.02	0.2±0.02
	B	0.6±0.03	0.3±0.03	0.3±0.03
03	C	0.6±0.05	0.3±0.05	0.3±0.05
	D	0.6±0.09	0.3±0.09	0.3±0.09
05	D	1.0±0.05	0.5±0.05	0.5±0.05
	F	1.0±0.10	0.5±0.10	0.5±0.10
	G	1.0±0.15	0.5±0.15	0.5±0.15
105	B	1.6±0.10	0.8±0.10	0.8±0.10
	D	1.6±0.15	0.8±0.15	0.8±0.15
21	G	2.0±0.10	1.25±0.10	1.25±0.10
	K	2.0±0.15	1.25±0.15	1.25±0.15
	M	2.0±0.20	1.25±0.20	1.25±0.20

Size	Size Code	Dimension (mm)		
		L	W	T
316	D	3.2±0.20	1.6±0.15	1.15±0.10
	F	3.2±0.20	1.6±0.15	1.6±0.15
	J	3.2±0.20	1.6±0.20	1.6±0.20
32	B	3.2±0.20	2.5±0.20	1.40 max.
	C	3.2±0.20	2.5±0.20	1.60 max.
	F	3.2±0.20	2.5±0.20	2.0±0.2
	G	3.2±0.20	2.5±0.20	2.5±0.2
43	D	4.5±0.30	3.2±0.20	2.5±0.2
	F	4.5±0.30	3.2±0.20	2.8±0.2

Tan δ Code	Tan δ
1	2.5% max.
2	3.5% max.
3	5.0% max.
4	7.0% max.
5	7.5% max.
7	10.0% max.
8	12.5% max.
9	20.0% max.

X7R Dielectric

Size (EIA Code)	CM02 (01005)	CM03 (0201)			CM05 (0402)		CM105 (0603)				CM21 (0805)					
Rated Voltage (VDC)	10	10	16	25	16	25	6.3	10	16	25	50	6.3	10	16	25	50
Capacitance (pF)																
101 100																
151 150																
220																
330	A8		B2	B2												
470																
680																
102 1000																
152 1500																
2200																
3300		B3														
4700																
6800																
103 10000																
153 15000																
22000																
33000																
47000																
68000																
104 100000																
220000																
470000																
105 1000000																
2200000																
4700000																
106 10000000																
22000000																

Size (EIA Code)	CM316 (1206)					CM32 (1210)					CM43 (1812)		
Rated Voltage (VDC)	6.3	10	16	25	50	100	10	16	25	50	100	50	100
Capacitance (pF)													
104 47000													
100000													
220000													
470000													
105 1000000													
2200000													
4700000													
106 10000000													
22000000													

Optional Spec. <Standard Capacitance Value>
 CM21 size and smaller : E6 Series
 CM316 size and larger / capacitance value of 0.1μF and larger : E3 Series
 Please contact for capacitance value other than standard.

Two digits alphanumeric in capacitance chart denote dimensions and tan δ.
 Please refer to the below table for detail.

(Example)
 In case of "B3" for CM03:
 L : 0.6±0.03mm
 W : 0.3±0.03mm
 T : 0.3±0.03mm
 Tan δ : 5.0% max.

Size	Size Code	Dimension (mm)		
		L	W	T
02	A	0.4±0.02	0.2±0.02	0.2±0.02
03	B	0.6±0.03	0.3±0.03	0.3±0.03
05	D	1.0±0.05	0.5±0.05	0.5±0.05
105	B	1.6±0.10	0.8±0.10	0.8±0.10
	D	1.6±0.15	0.8±0.15	0.8±0.15
21	G	2.0±0.10	1.25±0.10	1.25±0.10
	M	2.0±0.20	1.25±0.20	1.25±0.20
316	A			0.85±0.10
	D	3.2±0.20	1.6±0.15	1.15±0.10
	F			1.6±0.15
	J	3.2±0.20	1.6±0.20	1.6±0.20
32	B			1.40 max.
	F	3.2±0.20	2.5±0.20	2.0±0.2
	G			2.5±0.2
43	B	4.5±0.30	3.2±0.20	2.0±0.2
	D			2.5±0.2

Tan δ Code	Tan δ
1	2.5% max.
2	3.5% max.
3	5.0% max.
5	7.5% max.
8	12.5% max.

Y5V Dielectric

Size (EIA Code)	CM05 (0402)	CM105 (0603)		CM21 (0805)			CM316 (1206)			CM32 (1210)		
Rated Voltage (VDC)	10	10	16	10	16	25	10	16	25	10	16	25
Capacitance (pF)												
102 1000 2200 472 4700												
103 10000 22000 473 47000												
104 100000 220000 474 470000	D8		B6									
105 1000000 2200000 475 4700000		B8	B6	G8	G6	G4		D6	D4			
106 10000000 22000000 476 47000000				G9			F8 F9	F6		F8	C6	C6

<Standard Capacitance Value>

E3 Series

Please contact for capacitance value other than standard.

Two digits alphanumeric in capacitance chart denote dimensions and tan δ. Please refer to the below table for detail.

(Example)

In case of "C8" for CM05:

L : 1.0±0.05mm

W : 0.5±0.05mm

T : 0.5±0.05mm

Tan δ : 12.5% max.

Size	Size Code	Dimension (mm)		
		L	W	T
05	D	1.0±0.05	0.5±0.05	0.5±0.05
105	B	1.6±0.10	0.8±0.10	0.8±0.10
21	G	2.0±0.10	1.25±0.10	1.25±0.10
316	D	3.2±0.20	1.6±0.15	1.15±0.10
	F	3.2±0.20	1.6±0.15	1.6±0.15
32	C	3.2±0.20	2.5±0.20	1.60 max.
	F	3.2±0.20	2.5±0.20	2.0±0.2

Tan δ Code	Tan δ
3	5.0% max.
4	7.0% max.
6	9.0% max.
8	12.5% max.
9	16.0% max.

Test Conditions and Specifications for Temperature Compensation Type (CΔ to UΔ • SL Characteristics) CM/ CT/ CF Series

Test Items		Test Conditions	Specifications								
Capacitance Value (C)		<table border="1"> <thead> <tr> <th>Capacitance</th> <th>Frequency</th> <th>Volt</th> </tr> </thead> <tbody> <tr> <td>C≤1000pF</td> <td>1MHz±10%</td> <td rowspan="2">0.5 to 5Vrms</td> </tr> <tr> <td>C>1000pF</td> <td>1kHz±10%</td> </tr> </tbody> </table>	Capacitance	Frequency	Volt	C≤1000pF	1MHz±10%	0.5 to 5Vrms	C>1000pF	1kHz±10%	Within tolerance
Capacitance	Frequency		Volt								
C≤1000pF	1MHz±10%	0.5 to 5Vrms									
C>1000pF	1kHz±10%										
Q			C≥30pF : Q≥1000 C<30pF : Q≥400+20C								
Insulation Resistance (IR)		Measured after the rated voltage is applied for 1 minute at room ambient. For the rated voltage of over 630V, apply 500V for 1 minute at room ambient. The charge and discharge current of the capacitor must not exceed 50mA.	Over 10000MΩ or 500MΩ • μF, whichever is less								
Dielectric Resistance		Apply 3 times of the rated voltage for 1 to 5 seconds. Apply 1.5 times when the rated voltage is 250V or over. Apply 1.2 times when the rated voltage is 630V or over. The charge and discharge current of the capacitor must not exceed 50mA.	No problem observed								
Appearance		Microscope	No problem observed								
Termination Strength		Apply a sideward force of 500g (5N) to a PCB-mounted sample. Apply 2N for 0201, and 1N for 01005 size.	No problem observed								
Bending Strength		Glass epoxy PCB: Fulcrum spacing: 90mm, duration time 10 seconds.	No significant damage at 1mm bent								
Vibration Test	Appearance	Vibration frequency: 10 to 55 (Hz) Amplitude: 1.5mm Sweeping condition: 10→55→10Hz/ 1 minute in X, Y and Z Directions: 2 hours each, 6 hours total.	No problem observed								
	ΔC		Within Tolerance								
	Q		C≥30pF : Q≥1000 C<30pF : Q≥400+20C								
Soldering Heat Resistance	Appearance	Soak the sample in 260°C±5°C solder for 10±0.5 seconds and place in room ambient, and measure after 24±2 hours. (Pre-heating conditions)	No problem observed								
	ΔC		Within ±2.5% or ±0.25pF, whichever is larger								
	Q		C≥30pF : Q≥1000 C<30pF : Q≥400+20C								
	IR		Over 10000MΩ or 500MΩ • μF whichever is less								
	Withstanding Voltage		The charge and discharge current of the capacitor must not exceed 50mA for IR and withstanding voltage measurement.	Resist without problem							
Solderability	Soaking condition		Solder coverage : 90% min.								
		<table border="1"> <thead> <tr> <th>Order</th> <th>Temperature</th> <th>Time</th> </tr> </thead> <tbody> <tr> <td>1</td> <td>80 to 100°C</td> <td>2 minutes</td> </tr> <tr> <td>2</td> <td>150 to 200°C</td> <td>2 minutes</td> </tr> </tbody> </table>		Order	Temperature	Time	1	80 to 100°C	2 minutes	2	150 to 200°C
Order	Temperature	Time									
1	80 to 100°C	2 minutes									
2	150 to 200°C	2 minutes									
Temperature Cycle	Appearance	(Cycle)	No problem observed								
	ΔC	Room temperature (3min.)→	Within ±2.5% or ±0.25pF, whichever is larger								
	Q	Lowest operation temperature (30min.)→ Room temperature (3min.)→	C≥30pF : Q≥1000 C<30pF : Q≥400+20C								
	IR	Highest operation temperature(30min.)	Over 10000MΩ or 500MΩ • μF, whichever is less								
	Withstanding Voltage	After 5 cycles, measure after 24±2 hours. The charge and discharge current of the capacitor must not exceed 50mA for IR and withstanding voltage measurement.	Resist without problem								
Load Humidity Test (Except CF Series)	Appearance	After applying rated voltage for 500+12/-0 hours in pre-condition at 40°C±2°C, humidity 90 to 95%RH, allow parts to stabilize for 24±2 hours, at room temperature before measurement. The charge and discharge current of the capacitor must not exceed 50mA for IR measurement.	No problem observed								
	ΔC		Within ±7.5% or ±0.75pF, whichever is larger								
	Q		C≥30pF : Q≥200 C<30pF : Q≥100+10C/ 3								
	IR		Over 500MΩ or 25MΩ • μF, whichever is less								
High-Temperature with Loading	Appearance	After applying twice the rated voltage at the temperature of 125±3°C for 1000+12/-0 hours, measure the sample after 24±2 hours. Apply 1.5 times when the rated voltage is 250V or over. Apply 1.2 times when the rated voltage is 630V or over. The charge and discharge current of the capacitor must not exceed 50mA for IR measurement.	No problem observed.								
	ΔC		Within ±3% or ±0.3pF, whichever is larger								
	Q		C≥30pF : Q≥350 10pF<C<30pF : Q≥275+5C/ 2 C<10pF : Q≥200+10C								
	IR		Over 1000MΩ or 50MΩ • μF, whichever is less								

Please ask for individual specification for the hatched range in previous chart.

Test Conditions and Specifications for High Dielectric Type (X5R, X7R) CM/ CT/ CA Series

Test Items		Test Conditions	Specifications												
Capacitance Value (C)		Measure after heat treatment	Within tolerance												
Tanδ (%)	<table border="1"> <thead> <tr> <th>Capacitance</th> <th>Frequency</th> <th>Volt</th> </tr> </thead> <tbody> <tr> <td>C≤10μF</td> <td>1kHz±10%</td> <td>1.0±0.2Vrms</td> </tr> <tr> <td>C>10μF</td> <td>120Hz±10%</td> <td>0.5±0.2Vrms</td> </tr> </tbody> </table>		Capacitance	Frequency	Volt	C≤10μF	1kHz±10%	1.0±0.2Vrms	C>10μF	120Hz±10%	0.5±0.2Vrms	Refer to capacitance chart			
	Capacitance	Frequency	Volt												
	C≤10μF	1kHz±10%	1.0±0.2Vrms												
C>10μF	120Hz±10%	0.5±0.2Vrms													
Insulation Resistance (IR)		Measured after the rated voltage is applied for 1 minute at room ambient. The charge and discharge current of the capacitor must not exceed 50mA.	Over 10000MΩ or 500MΩ • μF, whichever is less												
Dielectric Resistance		Apply 2.5 times of the rated voltage for 1 to 5 seconds. The charge and discharge current of the capacitor must not exceed 50mA.	No problem observed												
Appearance		Microscope	No problem observed												
Termination Strength		Apply a sideward force of 500g (5N) to a PCB-mounted sample. note : 2N for 0201 size in for 01005 size. Exclude CT series with thickness of less than 0.66mm.	No problem observed												
Bending Strength		Glass epoxy PCB: Fulcrum spacing: 90mm, duration time 10 seconds. Exclude CT series with thickness of less than 0.66mm.	No significant damage at 1mm bent												
Vibration Test	Appearance	Take the initial value after heat treatment. Vibration frequency: 10 to 55 (Hz) Amplitude: 1.5mm Sweeping condition: 10→55→10Hz/ 1 minute in X, Y and Z Directions: 2 hours each, 6 hours total.	No problem observed												
	ΔC		Within tolerance												
	Tanδ (%)		Within tolerance												
Soldering Heat Resistance	Appearance	Take the initial value after heat treatment. Soak the sample in 260°C±5°C solder for 10±0.5 seconds and place in room ambient, and measure after 24±2 hours. (Pre-heating conditions)	No problem observed												
	ΔC		Within ±7.5%												
	Tanδ (%)		Within tolerance												
	IR		Over 10000MΩ or 500MΩ • μF, whichever is less												
	Withstanding Voltage	<table border="1"> <thead> <tr> <th>Order</th> <th>Temperature</th> <th>Time</th> </tr> </thead> <tbody> <tr> <td>1</td> <td>80 to 100°C</td> <td>2 minutes</td> </tr> <tr> <td>2</td> <td>150 to 200°C</td> <td>2 minutes</td> </tr> </tbody> </table>	Order	Temperature	Time	1	80 to 100°C	2 minutes	2	150 to 200°C	2 minutes	Resist without problem			
Order	Temperature	Time													
1	80 to 100°C	2 minutes													
2	150 to 200°C	2 minutes													
Solderability		Soaking condition	Solder coverage : 90% min.												
		<table border="1"> <thead> <tr> <th>Sn-3Ag-0.5Cu</th> <th>Temperature</th> <th>Time</th> </tr> </thead> <tbody> <tr> <td></td> <td>245±5°C</td> <td>3±0.5 sec.</td> </tr> <tr> <th>Sn63 Solder</th> <th>Temperature</th> <th>Time</th> </tr> <tr> <td></td> <td>235±5°C</td> <td>2±0.5 sec.</td> </tr> </tbody> </table>	Sn-3Ag-0.5Cu	Temperature	Time		245±5°C	3±0.5 sec.	Sn63 Solder	Temperature	Time		235±5°C	2±0.5 sec.	
Sn-3Ag-0.5Cu	Temperature	Time													
	245±5°C	3±0.5 sec.													
Sn63 Solder	Temperature	Time													
	235±5°C	2±0.5 sec.													
Temperature Cycle	Appearance	Take the initial value after heat treatment. (Cycle) Room temperature (3min.)→ Lowest operation temperature (30min.)→ Room temperature (3min.)→ Highest operation temperature(30min.) After 5 cycles, measure after 24±2 hours. The charge and discharge current of the capacitor must not exceed 50mA for IR and withstanding voltage measurement.	No problem observed												
	ΔC		Within ±7.5%												
	Tanδ (%)		Within tolerance												
	IR		Over 10000MΩ or 500MΩ • μF, whichever is less												
	Withstanding Voltage		Resist without problem												
Load Humidity Test	Appearance	Take the initial value after voltage treatment. After applying rated voltage for 500+12/ -0 hours in pre-condition at 40°C±2°C, humidity 90 to 95%RH, allow parts to stabilize for 24±2 hours, at room temperature before measurement.	No problem observed												
	ΔC		Within ±12.5%												
	Tanδ (%)		200% max. of initial value												
	IR	The charge and discharge current of the capacitor must not exceed 50mA for IR measurement.	Over 500MΩ or 25MΩ • μF, whichever is less												
High-Temperature with Loading	Appearance	Take the initial value after voltage treatment. After applying twice the rated voltage at the highest operation temperature for 1000+12/ -0 hours, measure the sample after 24±2 hours. The charge and discharge current of the capacitor must not exceed 50mA for IR measurement. Apply 1.5 times when the rated voltage is 10V or less. Applied voltages for respective products are indicated in the below chart.	No problem observed												
	ΔC		Within ±12.5%												
	Tanδ (%)		200% max. of initial value												
	IR		Over 1000MΩ or 50MΩ • μF, whichever is less												

Pre-treatment	Heat	Keep specimen at 150+0/ -10°C for 1 hour, leave specimen at room ambient for 24±2 hours.
	Voltage	Apply the same test condition for 1 hour, then leave the specimen at room ambient for 24±2 hours.

High-temperature with Loading Applied Voltage (Rated Voltage × □)

Applied Voltage	Rated Voltage	Products
×1.3	4V	CT03X5R104
	6.3V	CM105X5R475, CM316X5R476 CT05X5R104, CT21X5R106, CT03X5R104
×1.5	16V	CM105X7R474-105, CM21X7R105-475, CM316X7R475-106, CM32X7R106-226, CM05X5R224, CM105X5R225, CM21X5R475-106, CM316X5R226 CT105X5R105, CT21X5R225-475, CT316X5R106, CM03X5R332-103
	25V	CM105X7R474, CM21X7R105-225, CM316X7R475, CM32X7R106, CM105X5R474-105, CM21X5R225-106, CM316X5R106, CM32X5R106-226 CT316X5R225-106, CM03X5R152-103
	50V	CM21X5R105, CM32X5R106, CM32X7R106 CT21X5R225, CT316X5R105-475
	100V	CM32X7RK74, CM43X7R105

Please ask for individual specification for the hatched range in previous chart.

Test Conditions and Specifications for High Dielectric Type (Y5V) CM/ CT/ CA Series

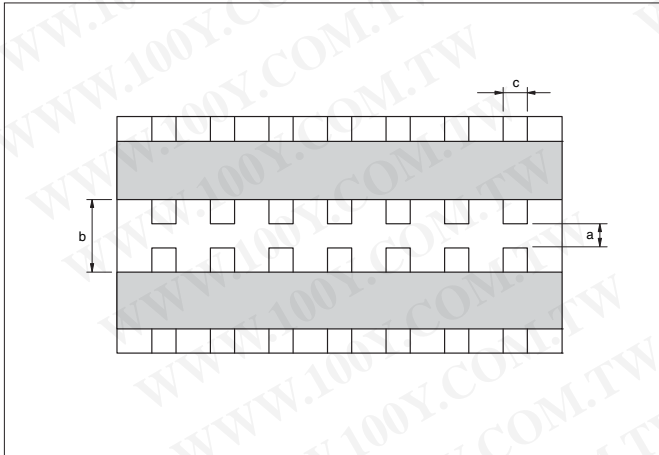
Test Items		Test Conditions	Specifications									
Capacitance Value (C)		Measure after heat treatment	Within tolerance									
Tanδ (%)		<table border="1"> <thead> <tr> <th>Frequency</th> <th>Volt</th> </tr> </thead> <tbody> <tr> <td>1kHz±10%</td> <td>1.0±0.2Vrms</td> </tr> </tbody> </table>	Frequency	Volt	1kHz±10%	1.0±0.2Vrms	Refer to capacitance chart					
Frequency	Volt											
1kHz±10%	1.0±0.2Vrms											
Insulation Resistance (IR)		Measured after the rated voltage is applied for 1 minute at room ambient.	Over 10000MΩ or 500MΩ • μF, whichever is less									
Dielectric Resistance		Apply 2.5 times of the rated voltage for 1 to 5 seconds. The charge and discharge current of the capacitor must not exceed 50mA.	No problem observed									
Appearance		Microscope	No problem observed									
Termination Strength		Apply a sideward force of 500g (5N) to a PCB-mounted sample. Exclude CT series with thickness of less than 0.66mm.	No problem observed									
Bending Strength		Glass epoxy PCB: Fulcrum spacing: 90mm, duration time 10 seconds. Exclude CT series with thickness of less than 0.66mm.	No significant damage at 1mm bent									
Vibration Test	Appearance	Take the initial value after heat treatment. Vibration frequency: 10 to 55 (Hz) Amplitude: 1.5mm	No problem observed									
	ΔC	Sweeping condition: 10→55→10Hz/ 1 minute in X, Y and Z	Within tolerance									
	Tanδ (%)	Directions: 2 hours each, 6 hours total.	Within tolerance									
Soldering Heat Resistance	Appearance	Take the initial value after heat treatment.	No problem observed									
	ΔC	Soak the sample in 260°C±5°C solder for 10±0.5 seconds and place in room ambient, and measure after 24±2 hours.	Within ±20%									
	Tanδ (%)	(Pre-heating conditions)	Within tolerance									
	IR	<table border="1"> <thead> <tr> <th>Order</th> <th>Temperature</th> <th>Time</th> </tr> </thead> <tbody> <tr> <td>1</td> <td>80 to 100°C</td> <td>2 minutes</td> </tr> <tr> <td>2</td> <td>150 to 200°C</td> <td>2 minutes</td> </tr> </tbody> </table>	Order	Temperature	Time	1	80 to 100°C	2 minutes	2	150 to 200°C	2 minutes	Over 10000MΩ or 500MΩ • μF, whichever is less
	Order	Temperature	Time									
1	80 to 100°C	2 minutes										
2	150 to 200°C	2 minutes										
Withstanding Voltage	The charge and discharge current of the capacitor must not exceed 50mA for IR and withstanding voltage measurement.	Resist without problem										
Solderability		Soaking condition <table border="1"> <tbody> <tr> <td>Sn-3Ag-0.5Cu</td> <td>245±5°C</td> <td>3±0.5 sec.</td> </tr> <tr> <td>Sn63 Solder</td> <td>235±5°C</td> <td>2±0.5 sec.</td> </tr> </tbody> </table>	Sn-3Ag-0.5Cu	245±5°C	3±0.5 sec.	Sn63 Solder	235±5°C	2±0.5 sec.	Solder coverage : 90% min.			
Sn-3Ag-0.5Cu	245±5°C	3±0.5 sec.										
Sn63 Solder	235±5°C	2±0.5 sec.										
Temperature Cycle	Appearance	Take the initial value after heat treatment. (Cycle)	No problem observed									
	ΔC	Room temperature (3min.)→	Within ±20%									
	Tanδ (%)	Lowest operation temperature (30min.)→ Room temperature (3min.)→	Within tolerance									
	IR	Highest operation temperature(30min.) After 5 cycles, measure after 24±2 hours.	Over 10000MΩ or 500MΩ • μF, whichever is less									
	Withstanding Voltage	The charge and discharge current of the capacitor must not exceed 50mA for IR and withstanding voltage measurement.	Resist without problem									
Load Humidity Test	Appearance	Take the initial value after voltage treatment.	No problem observed									
	ΔC	After applying rated voltage for 500+12/ -0 hours in pre-condition at 40°C±2°C, humidity 90 to 95%RH, allow parts to stabilize for 24±2 hours, at room temperature before measurement.	Within ±30%									
	Tanδ (%)		150% max. of initial value									
	IR	The charge and discharge current of the capacitor must not exceed 50mA for IR measurement.	Over 500MΩ or 25MΩ • μF, whichever is less									
High-Temperature with Loading	Appearance	Take the initial value after voltage treatment.	No problem observed									
	ΔC	After applying twice the rated voltage at the highest operation temperature for 1000+12/ -0 hours, measure the sample after 24±2 hours.	Within ±30%									
	Tanδ (%)	The charge and discharge current of the capacitor must not exceed 50mA for IR measurement.	150% max. of initial value									
	IR		Over 1000MΩ or 50MΩ • μF, whichever is less									
Pre-treatment	Heat	Keep specimen at 150+0/ -10°C for 1 hour, leave specimen at room ambient for 24±2 hours.										
	Voltage	Apply the same test condition for 1 hour, then leave the specimen at room ambient for 24±2 hours.										

Test Conditions and Specifications for High Dielectric Type (X7R) CF Series

Test Items		Test Conditions	Specifications												
Capacitance Value (C)		Measure after heat treatment	Within tolerance												
Tanδ (%)		<table border="1"> <thead> <tr> <th>Capacitance</th> <th>Frequency</th> <th>Volt</th> </tr> </thead> <tbody> <tr> <td>C≤10μF</td> <td>1kHz±10%</td> <td>1.0±0.2Vrms</td> </tr> </tbody> </table>	Capacitance	Frequency	Volt	C≤10μF	1kHz±10%	1.0±0.2Vrms	Within ±2.5%						
Capacitance	Frequency	Volt													
C≤10μF	1kHz±10%	1.0±0.2Vrms													
Insulation Resistance (IR)		<p>Measured after the rated voltage is applied for 1 minute at room ambient.</p> <p>Measured after the 500V is applied for 1 minute at room ambient for the rated voltage over 630V.</p> <p>The charge and discharge current of the capacitor must not exceed 50mA.</p>	<p>Over 10000MΩ or 500MΩ • μF, whichever is less</p> <p>Over 100MΩ • μF for CF316X7R104/ 250V and CF43X7R474/ 250V</p> <p>CF55X7R105/ 250V and CF55X7R224/ 630V</p>												
Dielectric Resistance		<p>Apply 1.5 times when the rated voltage is 250V or over, apply 1.2 times when the rated voltage is 630V or over for 1 to 5 seconds.</p> <p>The charge and discharge current of the capacitor must not exceed 50mA.</p>	No problem observed												
Appearance		Microscope	No problem observed												
Termination Strength		Apply a sideward force of 500g (5N) to a PCB-mounted sample.	No problem observed												
Bending Strength		Glass epoxy PCB: Fulcrum spacing: 90mm, duration time 10 seconds.	No significant damage at 1mm bent												
Vibration Test	Appearance	<p>Take the initial value after heat treatment.</p> <p>Vibration frequency: 10 to 55 (Hz)</p> <p>Amplitude: 1.5mm</p> <p>Sweeping condition: 10→55→10Hz/ 1 minute in X, Y and Z</p> <p>Directions: 2 hours each, 6 hours total.</p>	No problem observed												
	ΔC		Within tolerance												
	Tanδ (%)		Within tolerance												
Soldering Heat Resistance	Appearance	<p>Take the initial value after heat treatment.</p> <p>Soak the sample in 260°C±5°C solder for 10±0.5 seconds and place in room ambient, and measure after 24±2 hours.</p> <p>(Pre-heating conditions)</p>	No problem observed												
	ΔC		Within ±7.5%												
	Tanδ (%)		Within tolerance												
	IR		<table border="1"> <thead> <tr> <th>Order</th> <th>Temperature</th> <th>Time</th> </tr> </thead> <tbody> <tr> <td>1</td> <td>80 to 100°C</td> <td>2 minutes</td> </tr> <tr> <td>2</td> <td>150 to 200°C</td> <td>2 minutes</td> </tr> </tbody> </table> <p>Over 10000MΩ or 500MΩ • μF, whichever is less</p> <p>Over 100MΩ • μF for CF316X7R104/ 250V and CF43X7R474/ 250V</p> <p>CF55X7R105/ 250V and CF55X7R224/ 630V</p>	Order	Temperature	Time	1	80 to 100°C	2 minutes	2	150 to 200°C	2 minutes			
	Order		Temperature	Time											
1	80 to 100°C	2 minutes													
2	150 to 200°C	2 minutes													
Withstanding Voltage	The charge and discharge current of the capacitor must not exceed 50mA for IR and withstanding voltage measurement.	Resist without problem													
Solderability		<p>Soaking condition</p> <table border="1"> <thead> <tr> <th>Sn-3Ag-0.5Cu</th> <th>Temperature</th> <th>Time</th> </tr> </thead> <tbody> <tr> <td></td> <td>245±5°C</td> <td>3±0.5 sec.</td> </tr> <tr> <th>Sn63 Solder</th> <th>Temperature</th> <th>Time</th> </tr> <tr> <td></td> <td>235±5°C</td> <td>2±0.5 sec.</td> </tr> </tbody> </table>	Sn-3Ag-0.5Cu	Temperature	Time		245±5°C	3±0.5 sec.	Sn63 Solder	Temperature	Time		235±5°C	2±0.5 sec.	Solder coverage : 90% min.
Sn-3Ag-0.5Cu	Temperature	Time													
	245±5°C	3±0.5 sec.													
Sn63 Solder	Temperature	Time													
	235±5°C	2±0.5 sec.													
Temperature Cycle	Appearance	<p>Take the initial value after heat treatment.</p> <p>(Cycle)</p> <p>Room temperature (3min.)→</p> <p>Lowest operation temperature (30min.)→</p> <p>Room temperature (3min.)→</p> <p>Highest operation temperature(30min.)</p> <p>After 5 cycles, measure after 24±2 hours.</p> <p>The charge and discharge current of the capacitor must not exceed 50mA for IR and withstanding voltage measurement.</p>	No problem observed												
	ΔC		Within ±7.5%												
	Tanδ (%)		Within tolerance												
	IR		<p>Over 10000MΩ or 500MΩ • μF, whichever is less</p> <p>Over 100MΩ • μF for CF316X7R104/ 250V and CF43X7R474/ 250V</p> <p>CF55X7R105/ 250V and CF55X7R224/ 630V</p>												
	Withstanding Voltage		Resist without problem												
High-Temperature with Loading	Appearance	<p>Take the initial value after voltage treatment.</p> <p>After applying specified voltage at the highest operation temperature for 1000+12/ -0 hours, then measure the sample after 24±2 hours.</p> <p>The applied voltage shall be;</p> <p>1.5 times the rated voltage when the rated voltage is 250V or over.</p> <p>1.2 times when the rated voltage is 630V or over.</p> <p>The charge and discharge current of the capacitor must not exceed 50mA for IR measurement.</p>	No problem observed												
	ΔC		Within ±12.5%												
	Tanδ (%)		200% max. of initial value												
	IR		Over 1000MΩ or 50MΩ • μF, whichever is less												
Pre-treatment	Heat	Keep specimen at 150+0/ -10°C for 1 hour, leave specimen at room ambient for 24±2 hours.													
	Voltage	Apply the same test condition for 1 hour, then leave the specimen at room ambient for 24±2 hours.													

Substrate for Electrical Tests

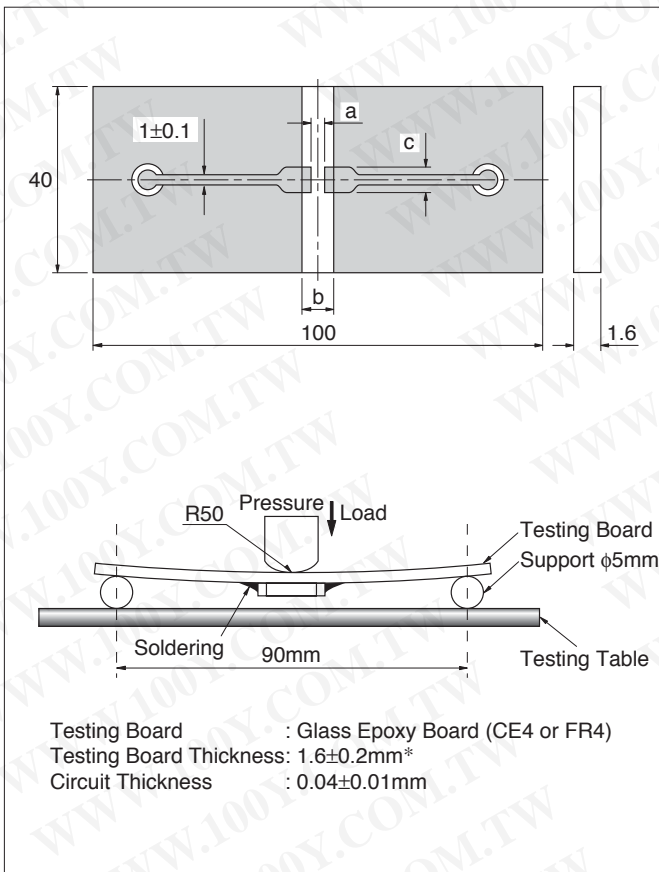
(Unit: mm)



Size (EIA Code)	a	b	c
02 (01005)	0.15	0.50	0.20
03 (0201)	0.26	0.92	0.32
05 (0402)	0.4	1.4	0.5
105 (0603)	1.0	3.0	1.2
21 (0805)	1.2	4.0	1.65
316 (1206)	2.2	5.0	2.0
32 (1210)	2.2	5.0	2.9
42 (1808)	3.5	7.0	3.7
43 (1812)	3.5	7.0	3.7
52 (2208)	4.5	8.0	5.6
55 (2220)	4.5	8.0	5.6

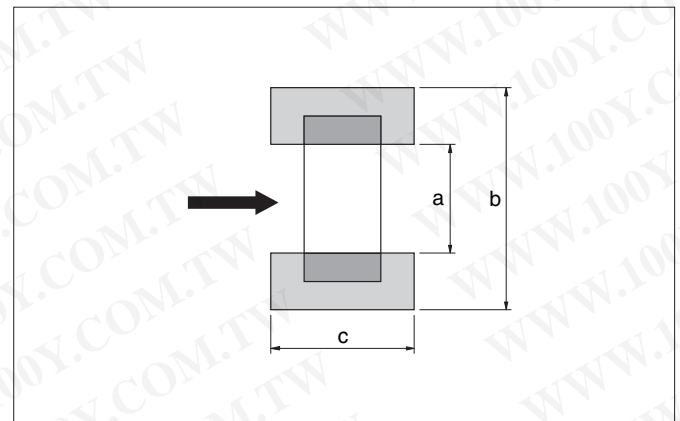
Substrate for Bending Test

(Unit: mm)



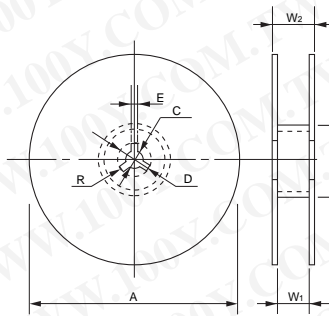
* 02, 03, 05 and array: 0.8±0.1mm

Substrate for Adhesion Strength Test

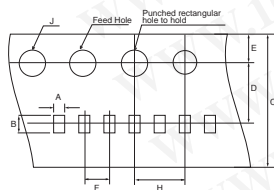


Tape and Reel

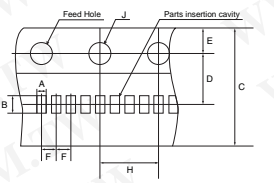
- Reel



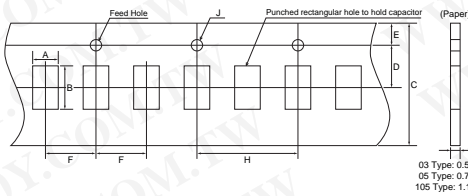
F=1mm (02 Type)



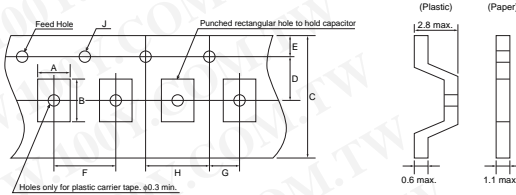
F=1mm (02, 03, 05 Type)



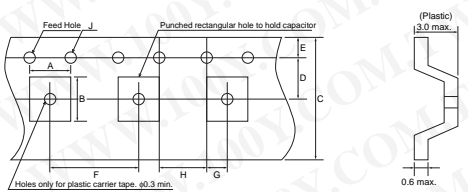
F=2mm (03, 05, 105 Type)



F=4mm (105, D11, F12, 21, 316, 32, 42, 52 Type)



F=8mm (43, 55 Type)



Reel

(Unit: mm)

Code Reel	A	B	C	D
7-inch Reel (CODE: T, H, Q)	180 ⁺⁰ _{-2.0}	φ60 min.	13±0.5	21±0.8
7-inch Reel (CODE: P)	178±2.0			
13-inch Reel (CODE: L, N, W)	330±2.0			
Code Reel	E	W ₁	W ₂	R
7-inch Reel (CODE: T, H, Q)	2.0±0.5	10.5±1.5	16.5 max.	1.0
7-inch Reel (CODE: P)		4.35±0.3	6.95±1.0	
13-inch Reel (CODE: L, N, W)		9.5±1.0	16.5 max.	

* Carrier tape width 8mm.

For size 42 (1808) or over, Tape width 12mm and W₁: 14±1.5, W₂: 18.4mm max.

Carrier Tape

(Unit: mm)

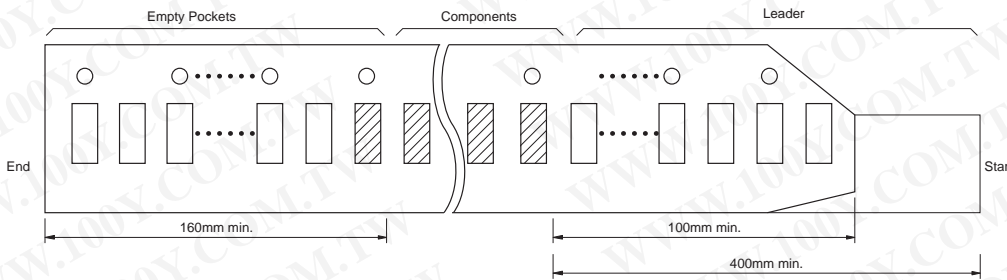
Size (EIA Code)	A	B	F
02 (01005)*	0.23±0.02	0.43±0.02	1.0±0.02
	0.25±0.03	0.45±0.03	2.0±0.05
03 (0201)*	0.37±0.03	0.67±0.03	1.0±0.05
			2.0±0.05
05 (0402)*	0.65±0.1	1.15±0.1	1.0±0.05
			2.0±0.05
105 (0603)	1.0±0.2	1.8±0.2	4.0±0.1
21 (0805)	1.5±0.2	2.3±0.2	4.0±0.1
316 (1206)	2.0±0.2	3.6±0.2	4.0±0.1
32 (1210)	2.9±0.2	3.6±0.2	4.0±0.1
42 (1808)	2.4±0.2	4.9±0.2	4.0±0.1
43 (1812)	3.6±0.2	4.9±0.2	8.0±0.1
52 (2208)	2.4±0.2	6.0±0.2	4.0±0.1
55 (2220)	5.3±0.2	6.0±0.2	8.0±0.1
D11 (0405)	1.15±0.2	1.55±0.2	4.0±0.1
F12 (0508)	1.5±0.2	2.3±0.2	4.0±0.1

* Option

(Unit: mm)

F	Carrier Tape	C	D	E	G	H	J
1.0 ±0.02	4mm Plastic	4.0 ±0.08	1.8 ±0.02	0.9 ±0.05	-	2.0 ±0.04	0.8 ±0.04
1.0 ±0.05	1mm Paper	8.0 ±0.3/-0.1	3.5 ±0.05	1.75 ±0.1	2.0 ±0.05	4.0 ±0.05	1.5 ±0.1/-0
2.0 ±0.05	8mm Paper	8.0 ±0.3				4.0 ±0.1	
4.0 ±0.1	8mm Plastic	12.0 ±0.3	5.5 ±0.05	1.75 ±0.1	2.0 ±0.05	4.0 ±0.1	1.5 ±0.1/-0
8.0 ±0.1	12mm Plastic						

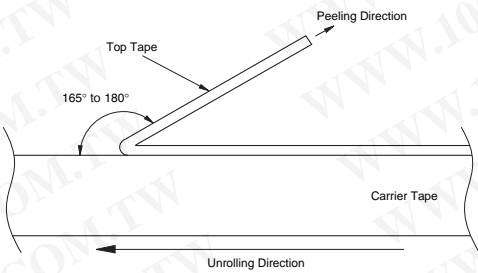
Detail of leader and trailer



Adhesive tape

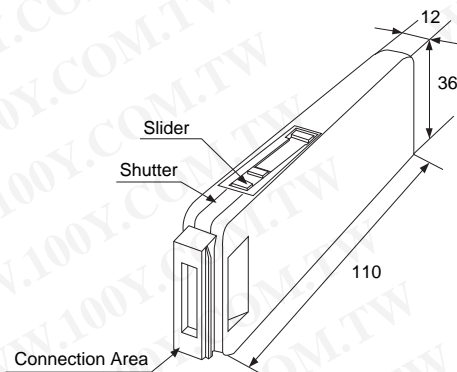
- 1) The exfoliative strength when peeling off the top tape from the carrier tape by the method of the following figure shall be ≈ 0.1 to $0.7N$. *02 Size: 0.1 to 0.5N
- 2) When the top tape is peeled off, the adhesive stays on the top tape.
- 3) Chip capacitors will be in a state free without being stuck on the thermal adhesive tape.

Exfoliating angle: 165 to 180 degrees to the carrier tape.
Exfoliating speed: 300 mm/min.



Bulk Case

(Unit: mm)

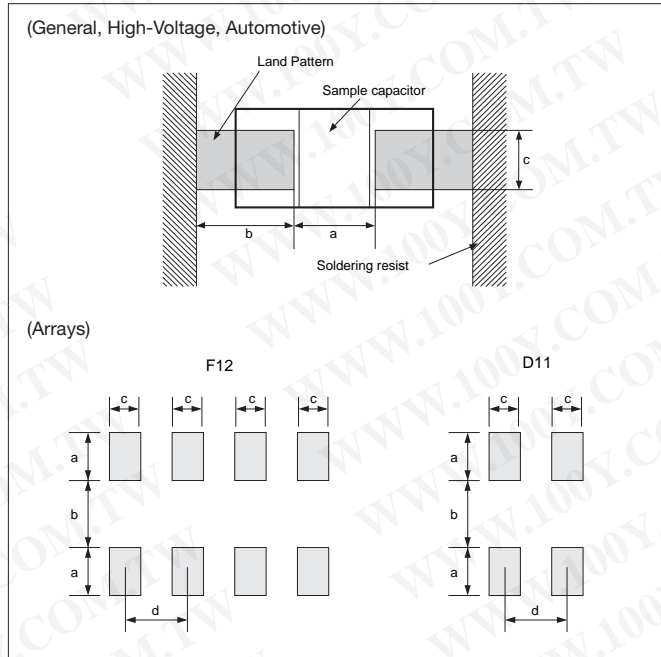


- Please contact Kyocera for details.

Dimensions for recommended typical land

Since the amount of solder (size of fillet) to be used has direct influence on the capacitor after mounting, the sufficient consideration is necessary.

When the amounts of solder is too much, the stress that a capacitor receives becomes larger. It may become the cause of a crack in the capacitor. When the land design of printed wiring board is considered, it is necessary to set up the form and size of land pattern so that the amount of solder is suitable.



General, High-Voltage

(Unit: mm)

Size (EIA Code)	L×W	a	b	c
02 (01005)	0.4×0.2	0.13 to 0.20	0.12 to 0.18	0.20 to 0.23
03 (0201)	0.6×0.3	0.20 to 0.30	0.25 to 0.35	0.30 to 0.40
05 (0402)	1.0×0.5	0.30 to 0.50	0.35 to 0.45	0.40 to 0.60
105 (0603)	1.6×0.8	0.70 to 1.00	0.80 to 1.00	0.60 to 0.80
21 (0805)	2.0×1.25	1.00 to 1.30	1.00 to 1.20	0.80 to 1.10
316 (1206)	3.2×1.6	2.10 to 2.50	1.10 to 1.30	1.00 to 1.30
32 (1210)	3.2×2.5	2.10 to 2.50	1.10 to 1.30	1.90 to 2.30
42 (1808)	4.5×2.0	2.50 to 3.20	1.80 to 2.30	1.50 to 1.80
43 (1812)	4.5×3.2	2.50 to 3.20	1.80 to 2.30	2.60 to 3.00
52 (2208)	5.7×2.0	4.20 to 4.70	2.00 to 2.50	1.50 to 1.80
55 (2220)	5.7×5.0	4.20 to 4.70	2.00 to 2.50	4.20 to 4.70

Automotive

(Unit: mm)

Size (EIA Code)	L×W	a	b	c
105 (0603)	1.6×0.8	0.60 to 0.90	0.80 to 1.00	0.70 to 1.00
21 (0805)	2.0×1.25	0.90 to 1.20	0.80 to 1.20	0.90 to 1.40
316 (1206)	3.2×1.6	1.40 to 1.90	1.00 to 1.30	1.30 to 1.80

Arrays

(Unit: mm)

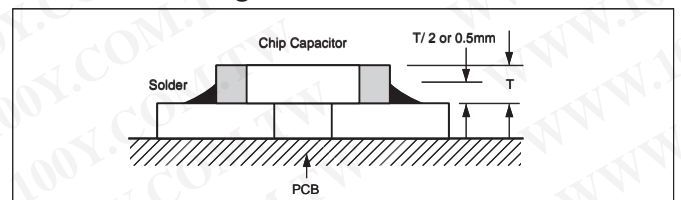
	a	b	c	d
F12 (0508)	0.5	0.5	0.3	0.5
D11 (0405)	0.69	0.28	0.3	0.64

IC

(Unit: mm)

Size (EIA Code)	L×W	a	b	c
05 (0402)	0.5×1.0	0.15 to 0.20	0.20 to 0.30	0.90 to 1.20
105 (0603)	0.8×1.6	0.20 to 0.30	0.30 to 0.50	1.40 to 1.60

Ideal Solder Height



Design of printed circuit and Soldering

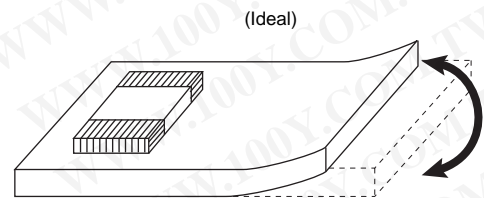
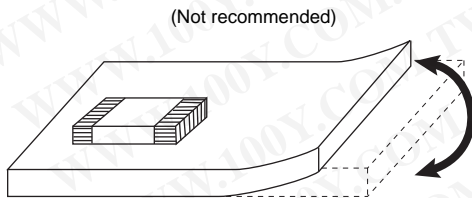
The recommended fillet height shall be 1/2 of the thickness of capacitors or 0.5mm. When mounting two or more capacitors in the common land, it is necessary to separate the land with the solder strike so that it may become the exclusive land of each capacitor.

Item	Not recommended example	Recommended example/ Separated by solder
Multiple parts mount		
Mount with leaded parts		
Wire soldering after mounting		
Overview		

Mounting Design

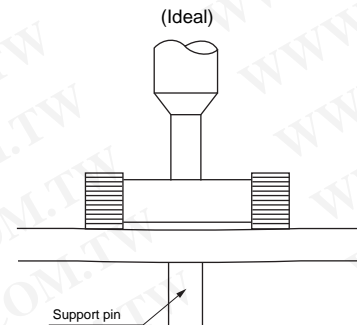
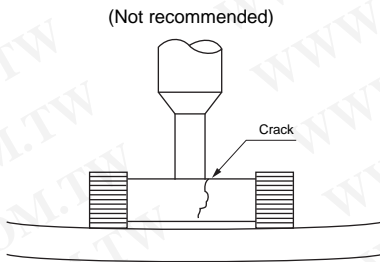
The chip could crack if the PCB warps during processing after the chip has been soldered.

Recommended chip position on PCB to minimize stress from PCB warpage



Actual Mounting

- 1) If the position of the vacuum nozzle is too low, a large force may be applied to the chip capacitor during mounting, resulting in cracking.
- 2) During mounting, set the nozzle pressure to a static load of 100 to 300 gf.
- 3) To minimize the shock of the vacuum nozzle, provide a support pin on the back of the PCB to minimize PCB flexure.



- 4) Bottom position of pick up nozzle should be adjusted to the top surface of a substrate which camber is corrected.
- 5) To reduce the possibility of chipping and cracks, minimize vibration to chips stored in a bulk case.
- 6) The discharge pressure must be adjusted to the part size. Verify the pressure during setup to avoid fracturing or cracking the chips capacitors.

Resin Mold

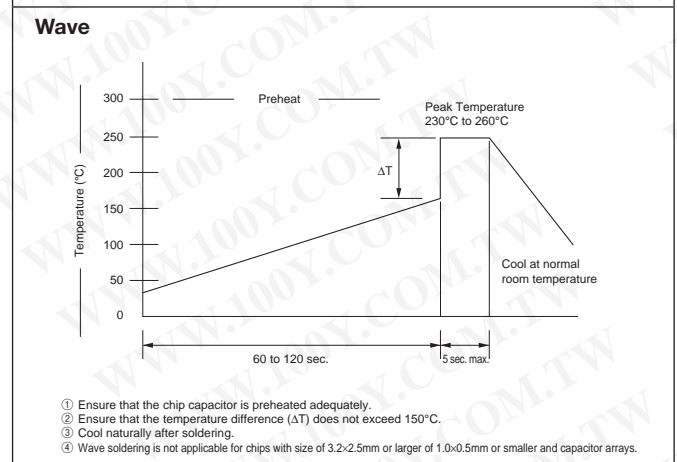
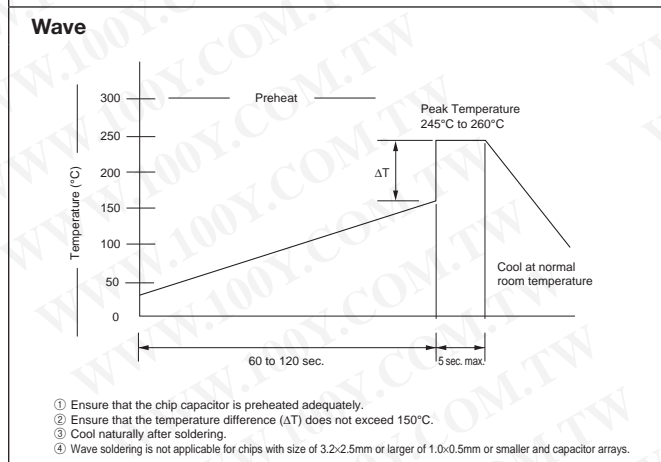
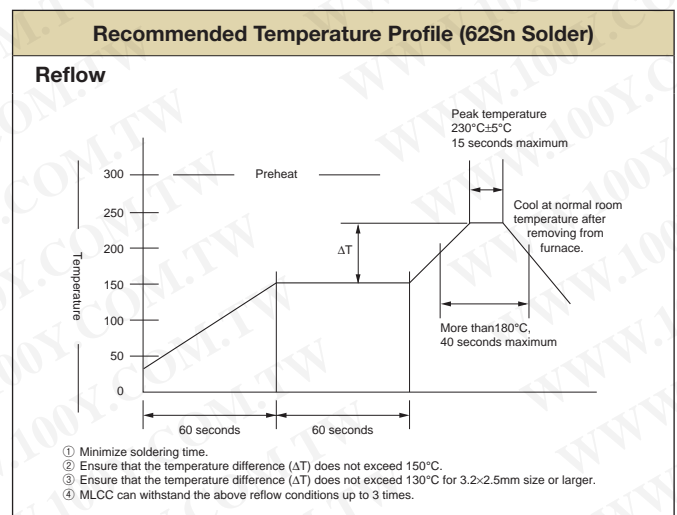
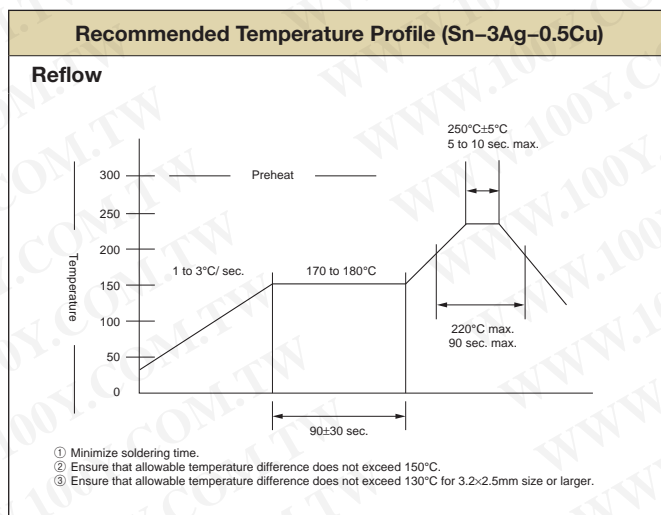
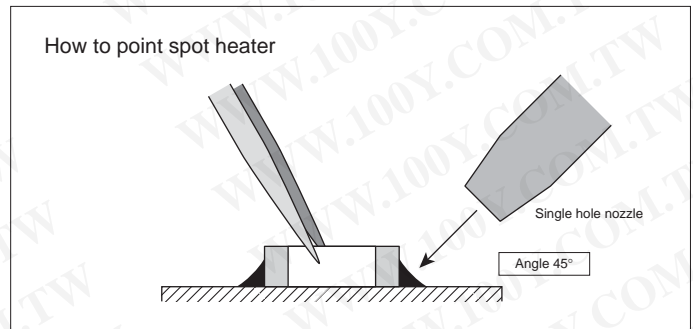
- 1) If a large amount of resin is used for molding the chip, cracks may occur due to contraction stress during curing. To avoid such cracks, use a low shrinkage resin.
- 2) The insulation resistance of the chip will degrade due to moisture absorption. Use a low moisture absorption resin.
- 3) Check carefully that the resin does not generate a decomposition gas or reaction gas during the curing process or during normal storage. Such gases may crack the chip capacitor or damage the device itself.

Soldering Method

- 1) Ceramic is easily damaged by rapid heating or cooling. If some heat shock is unavoidable, preheat enough to limit the temperature difference (Delta T) to within 130 degree Celsius.
- 2) The product size 1.6×0.8mm to 3.2×1.6mm can be used in reflow and wave soldering, and the product size of bigger than 3.2×1.6mm, or smaller than 1.6×0.8mm, and capacitor arrays can be used in reflow.
Circuit shortage and smoking can be created by using capacitors which are used neglecting the above caution.
- 3) Please see our recommended soldering conditions.
- 4) In case of using Sn-Zn Solder, please contact us in advance.
- 5) The following condition is recommended for spot heater application.

• Recommended spot heater condition

Item	Condition
Distance	5mm min.
Angle	45°
Projection Temp.	400°C max.
Flow rate	Set at the minimum
Nozzle diameter	2φ to 4φ (Single hole type)
Application time	10 sec. max. (1206 and smaller) 30 sec. max. (1210 and larger)



Soldering iron

- | | | |
|--------------------------------|-----------------------------|---|
| 1) Temperature of iron chip | 1206 and smaller 350°C max. | 5) Cautions |
| | 1210 and larger 280°C max. | a) Pre-heating is necessary rapid heating must be avoided.
Delta T ≤150°C |
| 2) Wattage | 80W max. | b) Avoid direct touching to capacitors. |
| 3) Tip shape of soldering iron | φ3.0mm max. | c) Avoid rapid cooling after soldering. Natural cooling is recommended. |
| 4) Soldering Time | 3 sec. max. | *Consult as if it is difficult to keep the temperature 280°C max. for 1210 and larger MLCC'S. |

Circuit Design

1. Once application and assembly environments have been checked, the capacitor may be used in conformance with the rating and performance which are provided in both the catalog and the specifications. Use exceeding that which is specified may result in inferior performance or cause a short, open, smoking, or flaming to occur, etc.
2. Please consult the manufacturer in advance when the capacitor is used in devices such as: devices which deal with human life, i.e. medical devices; devices which are highly public orientated; and devices which demand a high standard of liability.
Accident or malfunction of devices such as medical devices, space equipment and devices having to do with atomic power could generate grave consequence with respect to human lives or, possibly, a portion of the public. Capacitors used in these devices may require high reliability design different from that of general purpose capacitors.
3. Please use the capacitors in conformance with the operating temperature provided in both the catalog and the specifications.
Be especially cautious not to exceed the maximum temperature. In the situation the maximum temperature set forth in both the catalog and specifications is exceeded, the capacitor's insulation resistance may deteriorate, power may suddenly surge and short-circuit may occur. The capacitor has a loss, and may self-heat due to equivalent series resistance when alternating electric current is passed therethrough. As this effect becomes especially pronounced in high frequency circuits, please exercise caution.
When using the capacitor in a (self-heating) circuit, please make sure the surface of the capacitor remains under the maximum temperature for usage. Also, please make certain temperature rises remain below 20°C.
4. Please keep voltage under the rated voltage which is applied to the capacitor. Also, please make certain the peak voltage remains below the rated voltage when AC voltage is super-imposed to the DC voltage.
In the situation where AC or pulse voltage is employed, ensure average peak voltage does not exceed the rated voltage.
Exceeding the rated voltage provided in both catalog and specifications may lead to defective withstanding voltage or, in worst case situations, may cause the capacitor to smoke or flame.
5. When the capacitor is to be employed in a circuit in which there is continuous application of a high frequency voltage or a steep pulse voltage, even though it is within the rated voltage, please inquire to the manufacturer.
In the situation the capacitor is to be employed using a high frequency AC voltage or a extremely fast rising pulse voltage, even though it is within the rated voltage, it is possible capacitor reliability will deteriorate.
6. It is a common phenomenon of high-dielectric products to have a deteriorated amount of static electricity due to the application of DC voltage. Due caution is necessary as the degree of deterioration varies depending on the quality of capacitor materials, capacity, as well as the load voltage at the time of operation.
7. Do not use the capacitor in an environment where it might easily exceed the respective provisions concerning shock and vibration specified in the catalog and specifications.
In addition, it is a common piezo phenomenon of high dielectric products to have some voltage due to vibration or to have noise due to voltage change. Please contact sales in such case.
8. If the electrostatic capacity value of the delivered capacitor is within the specified tolerance, please consider this when designing the respective product in order that the assembled product function appropriately.
9. Please contact us upon using conductive adhesives.

Storage

1. If the component is stored in minimal packaging (a heat-sealed or chuck-type plastic bag), the bag should be kept closed. Once the bag has been opened, reseal it or store it in a desiccator.
2. Keep storage place temperature +5 to +40 degree C, humidity 20 to 70% RH.
3. The storage atmosphere must be free of gas containing sulfur and chlorine. Also, avoid exposing the product to saline moisture. If the product is exposed to such atmospheres, the terminals will oxidize and solderability will be effected.
4. Precautions 1) to 3) apply to chip capacitors packaged in carrier tapes and bulk cases.
5. The solderability is assured for 12 months from our shipping date (six months for silver palladium) if the above storage precautions are followed.
6. Chip capacitors may crack if exposed to hydrogen (H₂) gas while sealed or if coated with silicon, which generates hydrogen gas.

Safety application guideline and detailed information of electrical properties are also provided in Kyocera home page;

URL: <http://www.kyocera.co.jp/electronic/>