

Introduction

- Ø12.5 Ø11.5 Coin High temperature, Long life type
- Able to be used at wide temperature from -25°C to 85°C
- Long life Endurance : 2,000 hours at +85°C
- RoHS directive compliant

Applications

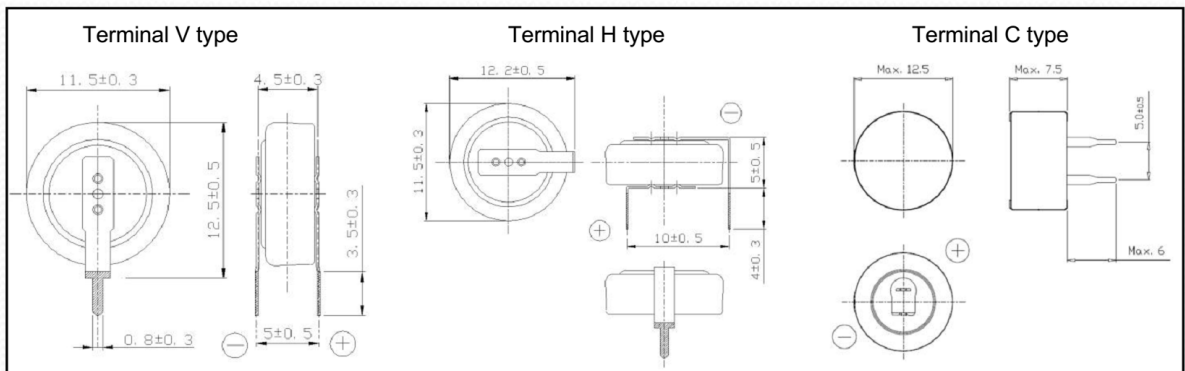
- Memory back-up for video and audio equipment, cameras, printers, flash, tuners, TV, rice cookers and remote controls



Specifications

Operating Temperature range	-25°C to 85°C					
Working Voltage	3.6 V DC					
Nominal capacitance & Resistance	Nominal capacitance (F)	0.047	0.1	0.22	0.33	0.47
	Nominal resistance (Ω)	50	50	50	50	50
Capacitance tolerance	- 20% to + 80%					
Characteristic at high and low temperature	Capacitance change	Within ± 30% of the value at +20°C				
	Internal resistance change	Less than five times of the value at +20°C				
Endurance	Test time	2,000 (hours)				
	Capacitance change	Within ± 30% of the initial measured value				
	Internal resistance change	Less than four times of the initial specified value				
Shelf life	Same as endurance (Test time : 2,000 hours)					

Dimensions in mm (not to scale)



Standard products

Series	Working Voltage (V DC)	Capacitance (F)	Internal resistance (Ω) at 1 kHz	Part number	Terminal Type
CBH	3.6	0.047	50 Ω or less	CBH 3R6 104 ()	V, H, C
CBH	3.6	0.1	50 Ω or less	CBH 3R6 104 ()	V, H, C
CBH	3.6	0.22	50 Ω or less	CBH 3R6 224 ()	V, H, C
CBH	3.6	0.33	50 Ω or less	CBH 3R6 334 ()	V, H, C
CBH	3.6	0.47	50 Ω or less	CBH 3R6 474 ()	V, H, C