



Huge Power Supercapacitor (Electric Double Layer Capacitor) – Specifications

勝特力材料 886-3-5753170
勝特力电子(上海) 86-21-34970699
勝特力电子(深圳) 86-755-83298787
[Http://www.100y.com.tw](http://www.100y.com.tw)

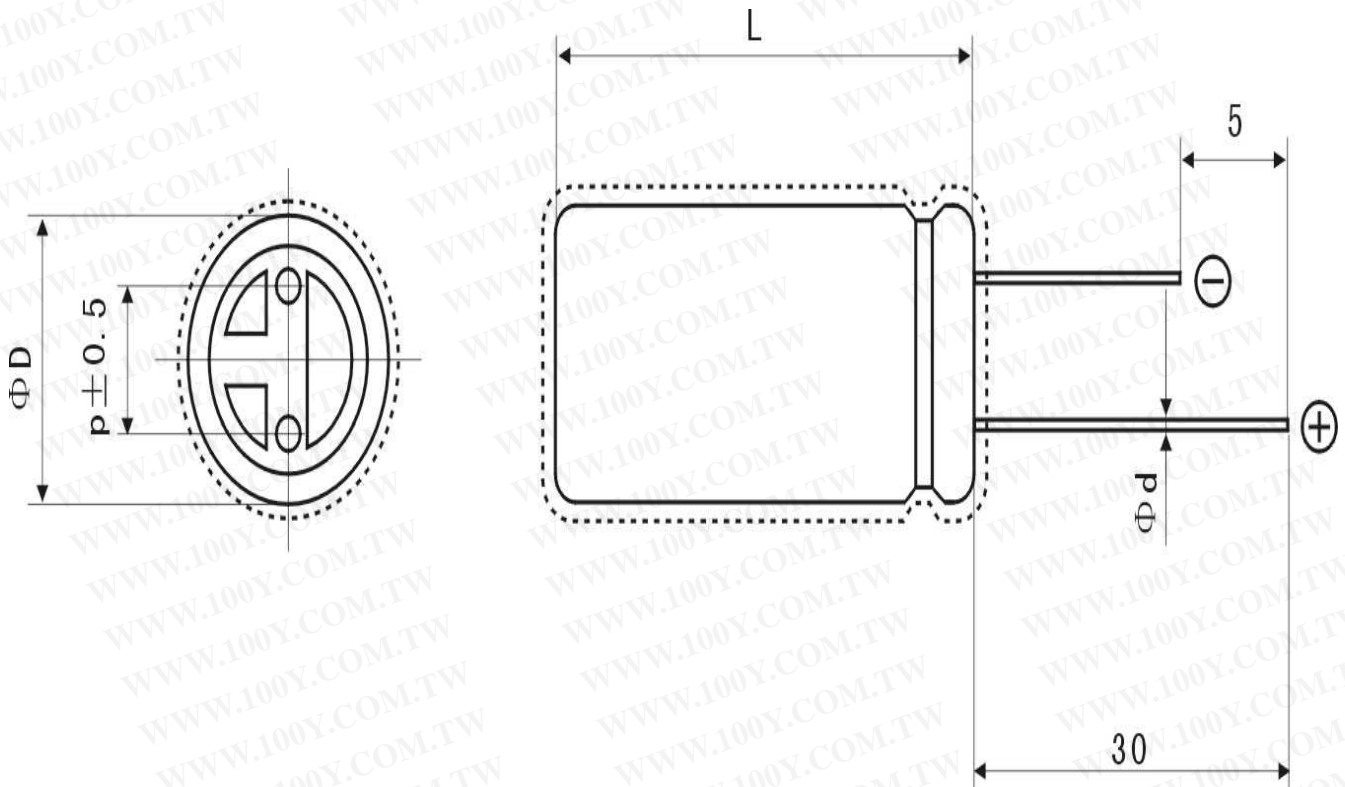
■ Series NO. 2R5D6F50

Item	Specification/Condition
Part No.	2R5D6F50
Rate discharge capacitance (F 25°C $\Delta V=1.5V-1.25V$ I=0.01A)	0.5
Capacitance tolerance	-20%~+80%
Rated Voltage U0 (V)	2.5
Surge Voltage Us (V)	3.0
ESR(m Ω 1KHz)	700
Inter resistance(m Ω 0.1A)	1000
Dimension(mm $\Phi D \times L$)	6 \times 13
Down-lead distance(mm p)	2.5 \pm 0.5
Down-lead diameter(mm Φd)	0.5
Cycle life	OVER 100000time



Huge Power Supercapacitor (Electric Double Layer Capacitor) – Dimensions

勝特力材料 886-3-5753170
勝特力电子(上海) 86-21-34970699
勝特力电子(深圳) 86-755-83298787
[Http://www.100y.com.tw](http://www.100y.com.tw)



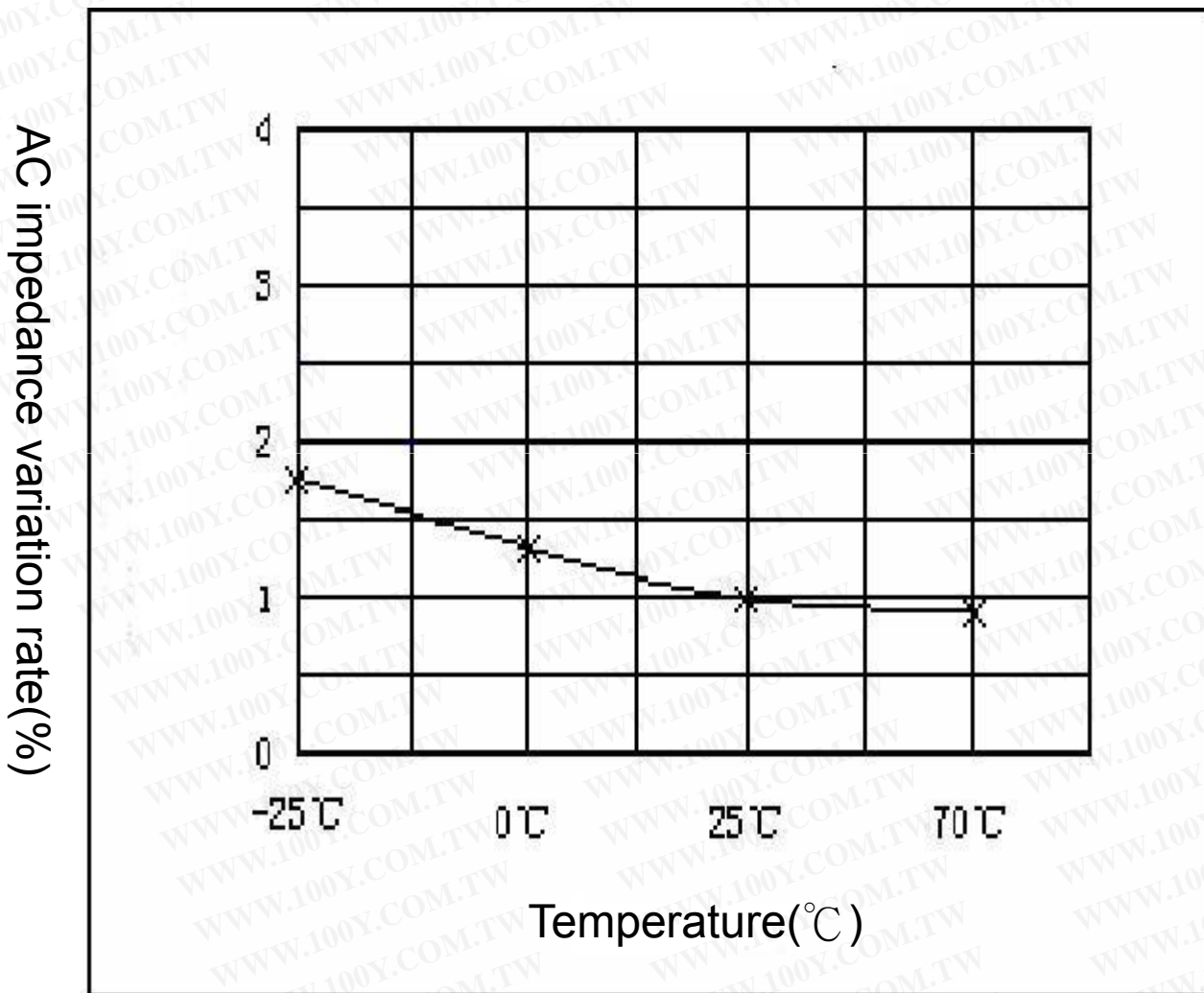


Huge Power Supercapacitor (Electric Double Layer Capacitor)

勝特力材料 886-3-5753170
勝特力电子(上海) 86-21-34970699
勝特力电子(深圳) 86-755-83298787
[Http://www.100y.com.tw](http://www.100y.com.tw)

Test result: Temperature characteristics

F=1K Hz



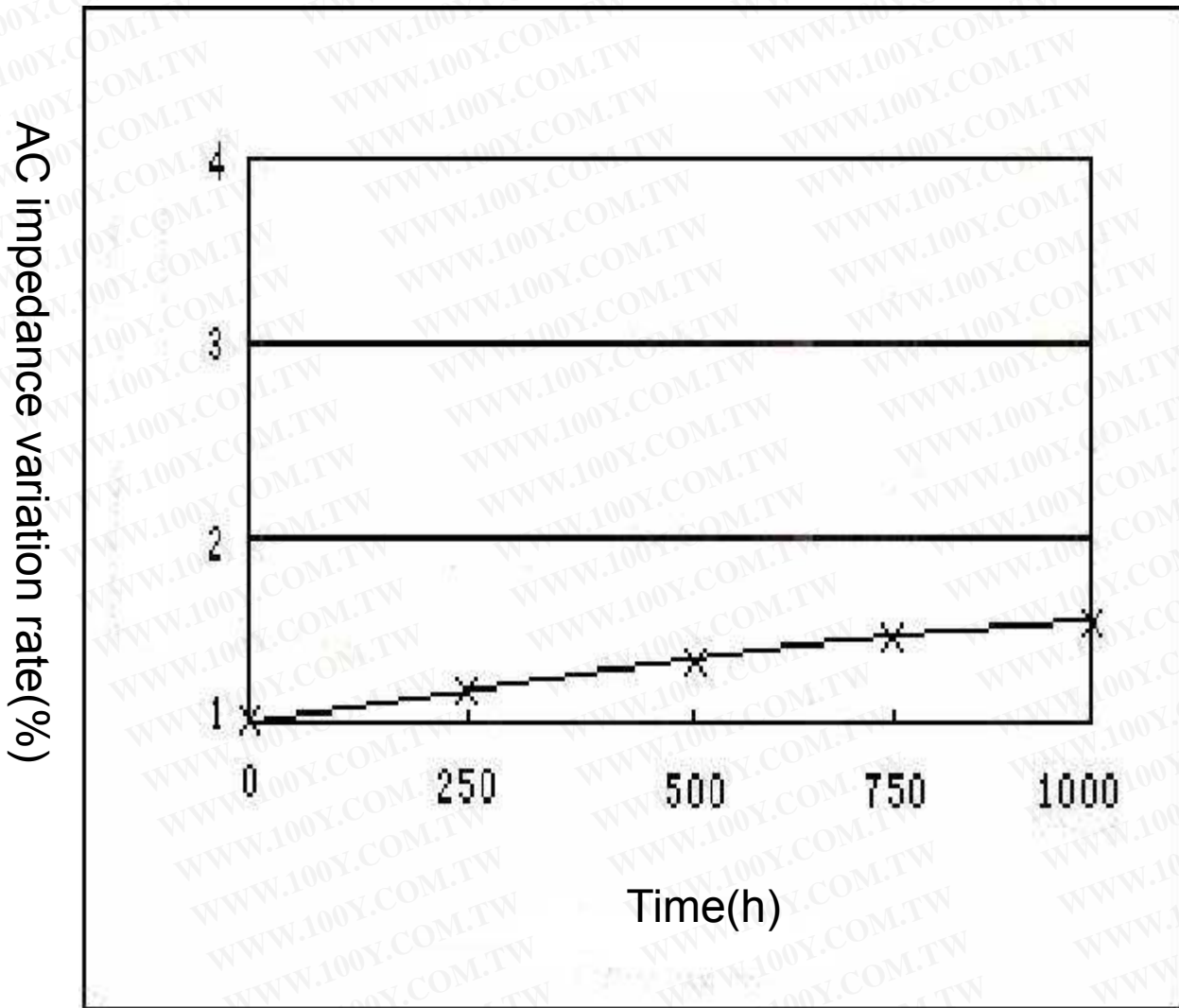


Huge Power Supercapacitor (Electric Double Layer Capacitor)

勝特力材料 886-3-5753170
勝特力电子(上海) 86-21-34970699
勝特力电子(深圳) 86-755-83298787
[Http://www.100y.com.tw](http://www.100y.com.tw)

Test result: Temperature characteristics

F=1K Hz Temperature(°C)=70°C

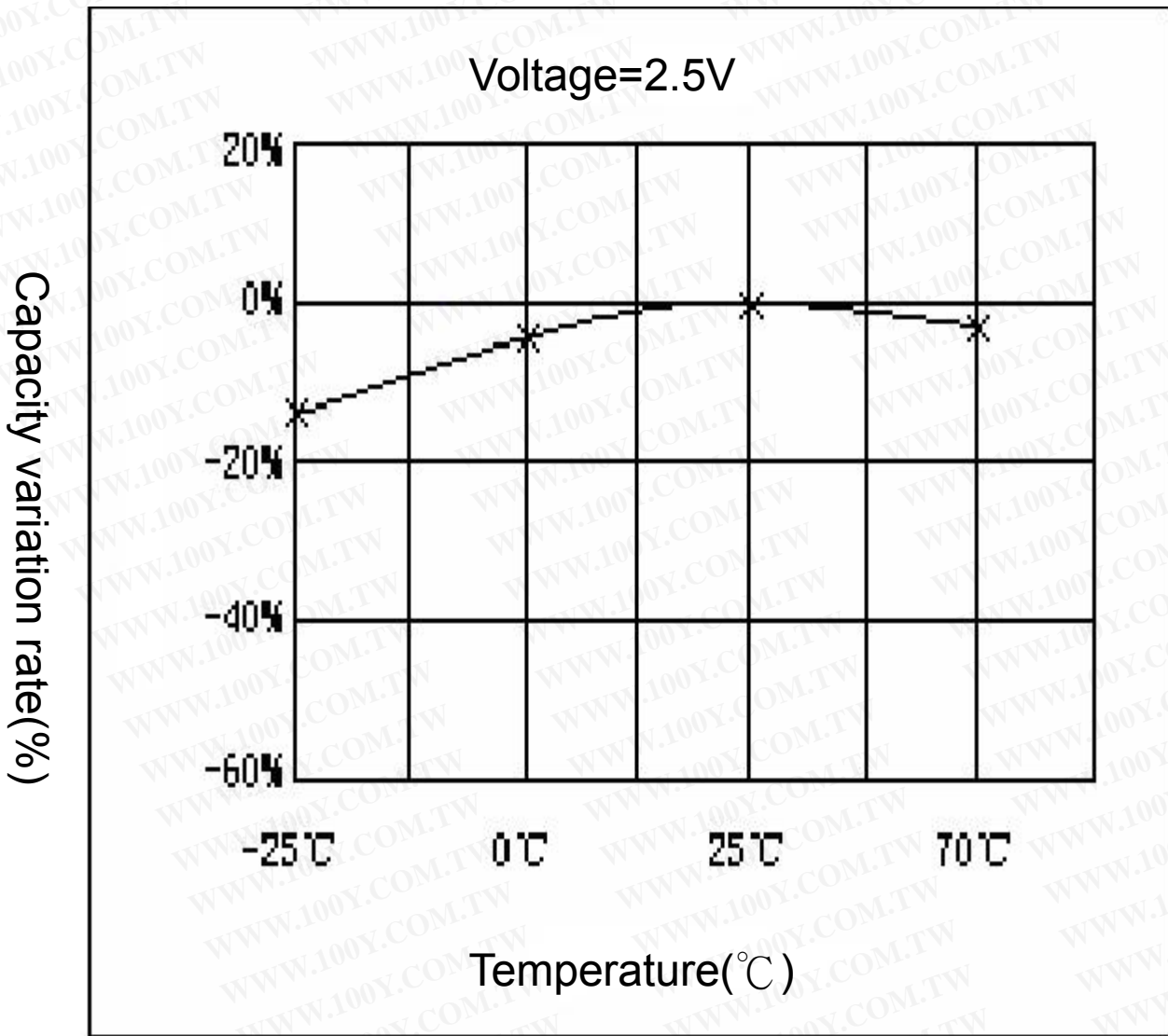




Huge Power Supercapacitor (Electric Double Layer Capacitor)

Test result: Temperature characteristics

勝特力材料 886-3-5753170
勝特力电子(上海) 86-21-34970699
勝特力电子(深圳) 86-755-83298787
[Http://www.100y.com.tw](http://www.100y.com.tw)

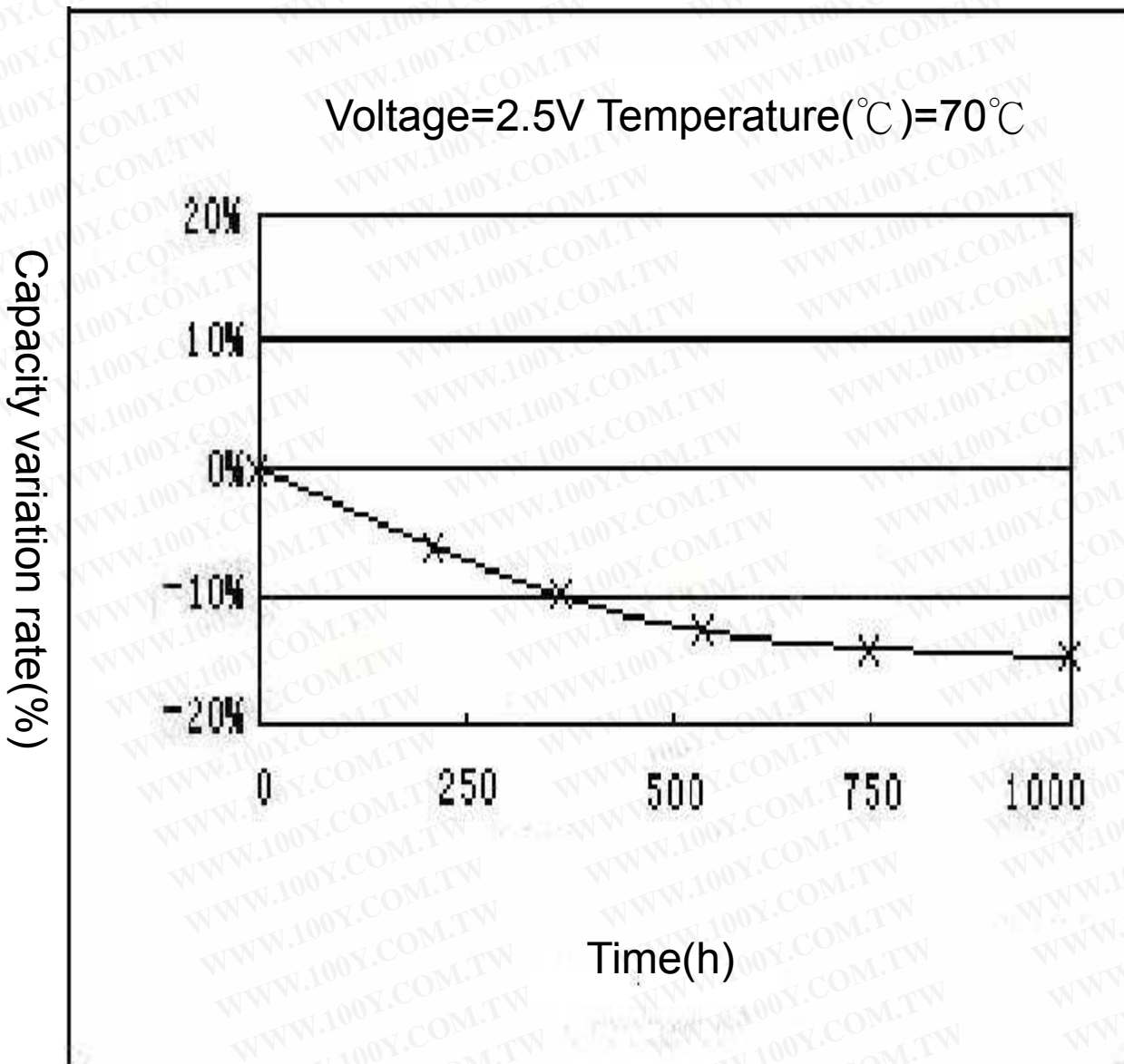




Huge Power Supercapacitor (Electric Double Layer Capacitor)

Test result: Temperature characteristics

勝特力材料 886-3-5753170
勝特力电子(上海) 86-21-34970699
勝特力电子(深圳) 86-755-83298787
[Http://www.100y.com.tw](http://www.100y.com.tw)





Huge Power Supercapacitor (Electric Double Layer Capacitor)- Test Method

