

Universal Snap-In Panel Jacks

Works with All Miniature and Standard Male Connectors

Type UPJ Glass-Filled Nylon

Rated -29 to 220°C (-20 to 425°F)

New Industry Standard!
Two Connectors in One!

胜特力材料 886-3-5753170
胜特力电子(上海) 86-21-34970699
胜特力电子(深圳) 86-755-83298787
Http://www.100y.com.tw



SPJ-CAP, extra supply of dust caps, pkg of 12



Fits All

Most Popular



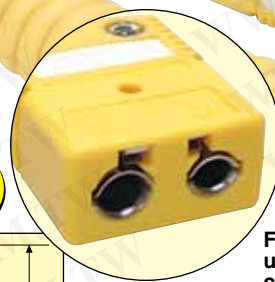
Miniature connector

Standard connector

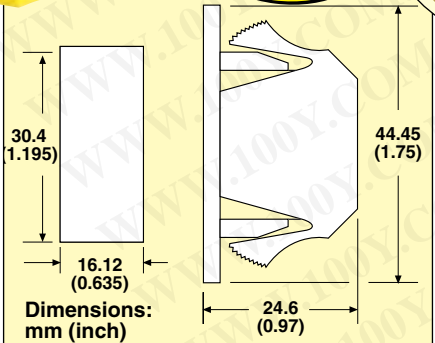
For miniature panel jacks and aluminum panels please see next page for details.

Panel punches available, visit omega.com/panelpunches

- Heavy Duty
- No Special Mounting Hardware Required
- No Installation Tools Needed
- Interlocking Design
- Combination Phillips/Slot Screws
- Color-Coded
- Numbered, Reusable
- Accepts Stranded or Solid Wire up to Size 14 AWG
- Wire Divider



For additional universal connectors visit omega.com



Discount Schedule	
1-10	Net
11-49	5%
50-99	10%
100-999	15%
1000-4999	20%
5000 and over	25%

To Order (Visit omega.com/upj for Pricing and Details)

Alloy Code†	Type of Thermocouple Used With Connector	Compensating Alloy Used in Connector		Shell Color	Model Number (Female)
		+	-		
K	CHROMEALLOY®-ALOMEALLOY®	CHROMEALLOY®	ALOMEALLOY®	Yellow	UPJ-K-F
T	Copper-Constantan	Copper	Constantan	Blue	UPJ-T-F
J	Iron-Constantan	Iron	Constantan	Black	UPJ-J-F
F	CHROMEALLOY®-Constantan	CHROMEALLOY®	Constantan	Purple	UPJ-E-F
R/S	Pt/13% Rh-Pt	Copper	RNX/SNX	Green	UPJ-R/S-F
U	Uncompensated	Copper	Copper	White	UPJ-U-F
N	OMEGALLOY®	OMEGA-P®	OMEGA-N®	Orange	UPJ-N-F



SIRT-1 Removal Tool

For the large volume user who requires the ability to quickly remove installed connectors, the SIRT-1 removal tool is invaluable. Operating easily even in densely packed panels, the tool compresses all spring clips together, allowing the UPJ to be pushed out of the panel from the rear.

We make running changes when technical advances allow. Check at time of ordering for additional features.

OMEGALLOY® is generically known as Nicrosil-Nisil.

† K, T, J, E, R, S and B are ANSI designations. ANSI color models shown.

Note: Type U (Uncompensated) connectors are used with Type B thermocouples, (Pt/6%Rh-Pt/30%Rh)

Ordering Example: UPJ-K-F, Type K universal panel jack for use with CHROMEALLOY®-ALOMEALLOY® female connector.