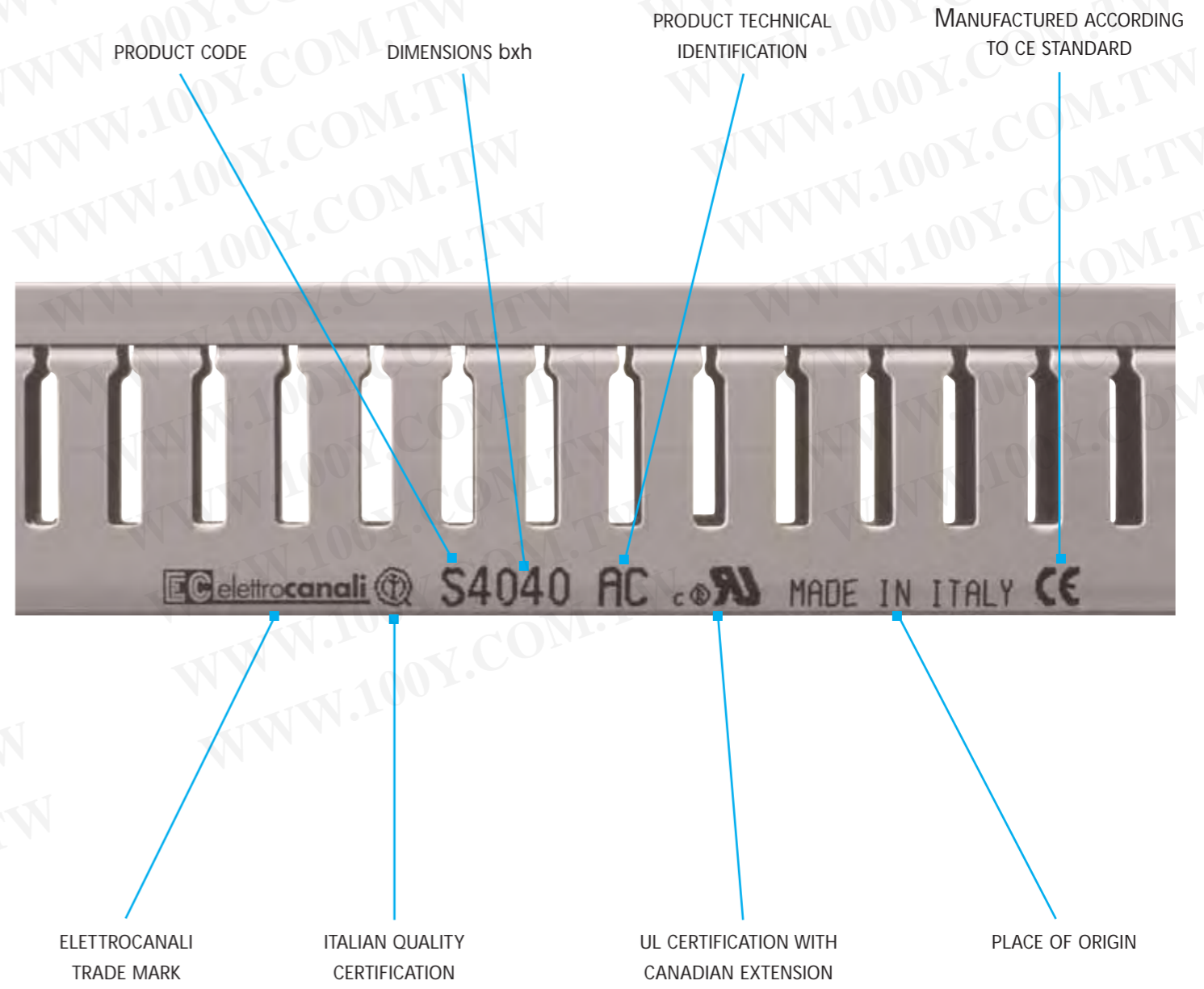


### SLOTTED TRUNKING PRINTING

勝特力材料 886-3-5753170  
 勝特力电子(上海) 86-21-34970699  
 勝特力电子(深圳) 86-755-83298787  
[Http://www.100y.com.tw](http://www.100y.com.tw)



## SLOTTED TRUNKING 8/12/8 A SERIES

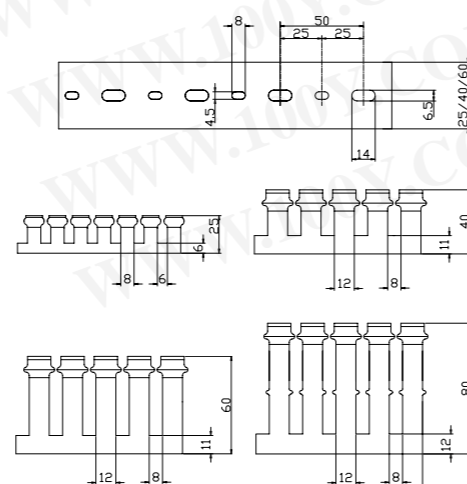
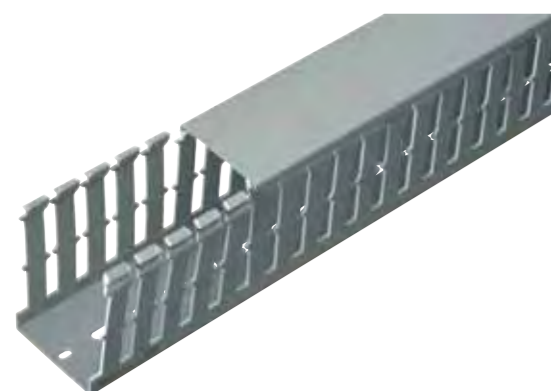
**CHARACTERISTICS:**

- Made of technopolymer with PVC base, rigid and self-extinguishing V0 degree to UL 94.
- **Slots 8/12/8 type.**
- Bottom with holes for easy installation.
- Standard length: 2 m
- Complying to EN 50085-2-3 standards.
- Packed in stout cardboard boxes to ease transportation and storage.



GREY RAL 7030

ARTICLE	EXTERNAL DIMENSIONS B x h mm	SEPARATOR AVAILABILITY	PACKING m
ECA2525	25x25	NO	100
ECA2540	25x40	NO	100
ECA2560	25x60	NO	70
ECA2580	25x80	NO	56
ECA4025	40x25	NO	80
ECA4040	40x40	NO	70
ECA4060	40x60	NO	56
ECA4080	40x80	NO	40
ECA40100	40x100	NO	32
ECA6040	60x40	NO	50
ECA6060	60x60	NO	32
ECA6080	60x80	NO	36
ECA60100	60x100	NO	24



## SLOTTED TRUNKING 8/12/8 A SERIES

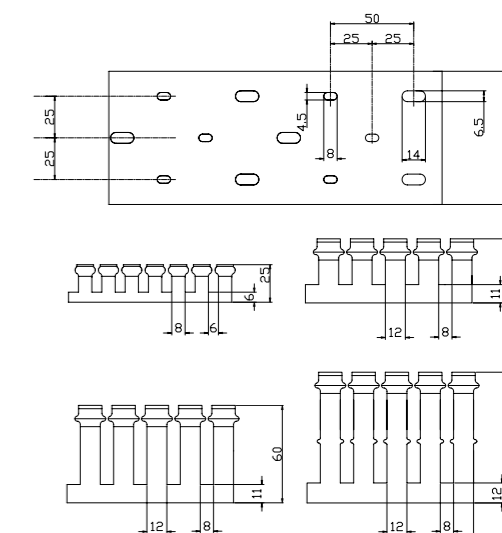
**CHARACTERISTICS:**

- Made of technopolymer with PVC base, rigid and self-extinguishing V0 degree to UL 94.
- **Slot 8/12/8 type.**
- Bottom with holes for easy installation.
- Standard length: 2 m.
- Complying to EN 50085-2-3 standards.
- Packed in stout cardboard boxes to ease transportation and storage.



GREY RAL 7030

ARTICLE	EXTERNAL DIMENSIONS B x h mm	SEPARATOR AVAILABILITY	PACKING m
ECA8040	80x40	YES (2)	40
ECA8060	80x60	YES (2)	28
ECA8080	80x80	NO	30
ECA80100	80x100	YES (2)	24
ECA10040	100x40	YES (2)	28
ECA10060	100x60	YES (2)	20
ECA10080	100x80	YES (2)	24
ECA100100	100x100	YES (2)	16
ECA12040	120x40	YES (2)	24
ECA12060	120x60	YES (2)	20
ECA12080	120x80	YES (2)	16
ECSESG	40/60/80	SECTIONABLE SEPARATOR	50



## SLOTTED TRUNKING 4/6/4 S SERIES

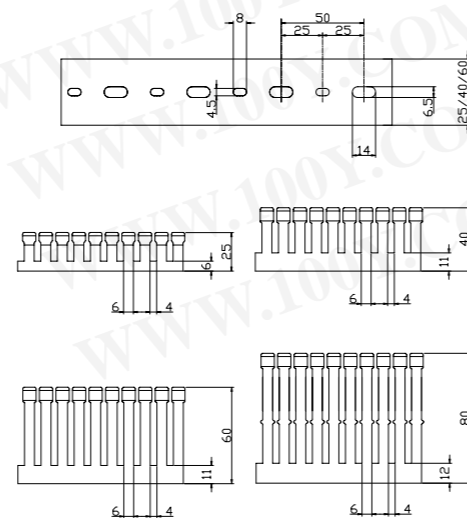
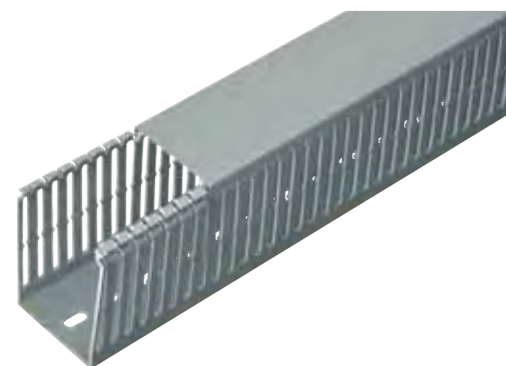
**CHARACTERISTICS:**

- Made of technopolymer with PVC base, rigid and self-extinguishing V0 degree to UL 94.
- **Slots 4/6/4 type.**
- Bottom with holes for easy installation.
- Standard length: 2 m.
- Complying to EN 50085-2-3 standards.
- Packed in stout cardboard boxes to ease transportation and storage.



GREY RAL 7030

ARTICLE	EXTERNAL DIMENSIONS B x h mm	SEPARATOR AVAILABILITY	PACKING m
ECS2525	25x25	NO	100
ECS2540	25x40	NO	100
ECS2560	25x60	NO	70
ECS2580	25x80	NO	56
ECS4025	40x25	NO	80
ECS4040	40x40	NO	70
ECS4060	40x60	NO	56
ECS4080	40x80	NO	40
ECS40100	40x100	NO	32
ECS6040	60x40	NO	50
ECS6060	60x60	NO	32
ECS6080	60x80	NO	36
ECS60100	60x100	NO	24



## SLOTTED TRUNKING 4/6/4 S SERIES

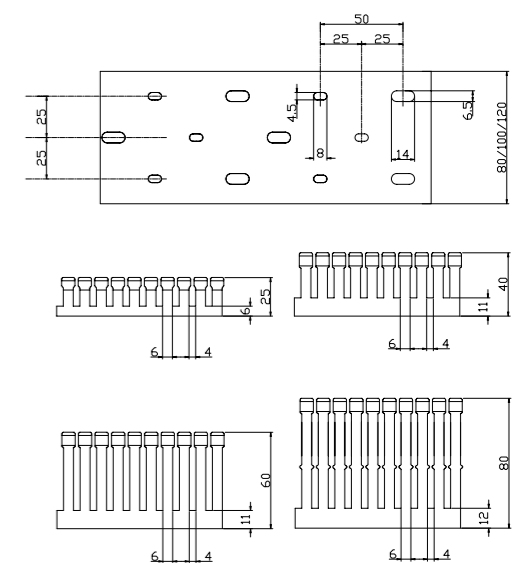
**CHARACTERISTICS:**

- Made of technopolymer with PVC base, rigid and self-extinguishing V0 degree to UL 94.
- **Slots 4/6/4 type.**
- Bottom with holes for easy installation.
- Standard length: 2 m.
- Complying to EN 50085-2-3 standards.
- Packed in stout cardboard boxes to ease transportation and storage.



GREY RAL 7030

ARTICLE	EXTERNAL DIMENSIONS B x h mm	SEPARATOR AVAILABILITY	PACKING m
ECS8040	80x40	YES (2)	40
ECS8060	80x60	YES (2)	28
ECS8080	80x80	NO	30
ECS80100	80x100	YES (2)	24
ECS10040	100x40	YES (2)	28
ECS10060	100x60	YES (2)	20
ECS10080	100x80	YES (2)	24
ECS100100	100x100	YES (2)	16
ECS12040	120x40	YES (2)	24
ECS12060	120x60	YES (2)	20
ECS12080	120x80	YES (2)	16
ECSESG	40/60/80	SECTIONABLE SEPARATOR	50



## SLOTTED TRUNKING 8/12/8 AH SERIES

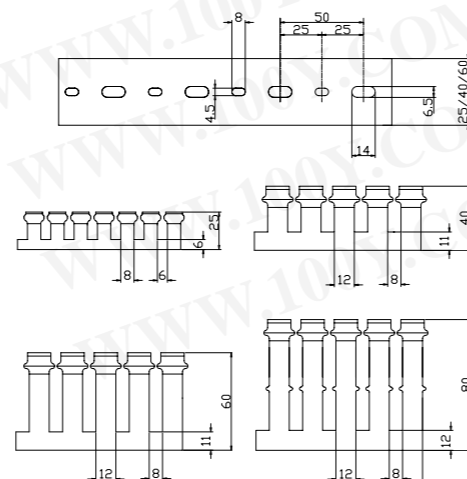
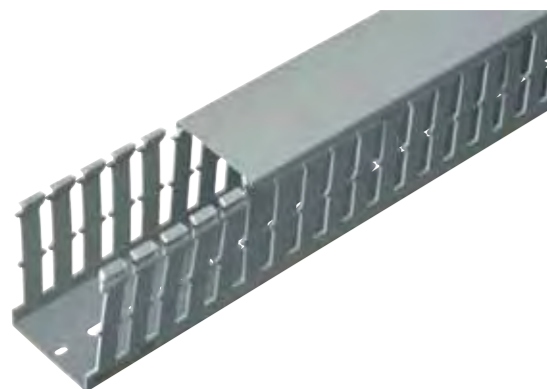
**CHARACTERISTICS:**

- Made of Halogen Free thermopolymer with PVC base in compliance with VDE 0472 part 815 standards. (BR+CL > 0,2% e F < 0,1%).
- Emission limit level according to CEI 20-37 part 7: 8.2 toxicity indices.
- Self-Extinguishing degree V0 to UL94 standards.
- Resistance to abnormal heat and fire up to 850°C (Glow wire test IEC 695-2-1).
- Dimensional stability between -40°C to + 100°C.
- Manufactured in compliance with EN 50085-2-3 standards.
- **Slots 8/12/8 type**, bottom with holes for easy installation, 2 m length.
- Packed in stout cardboard boxes to ease transportation and storage.



GREY RAL 7035

ARTICLE	EXTERNAL DIMENSIONS B x h mm	PACKING m
ECAH1517	15x17	46
ECAH2530	25x30	58
ECAH2540	25x40	48
ECAH2560	25x60	34
ECAH2580	25x80	28
ECAH4030	40x30	40
ECAH4040	40x40	30
ECAH4060	40x60	22
ECAH4080	40x80	36
ECAH6030	60x30	52
ECAH6040	60x40	40



## SLOTTED TRUNKING 8/12/8 AH SERIES

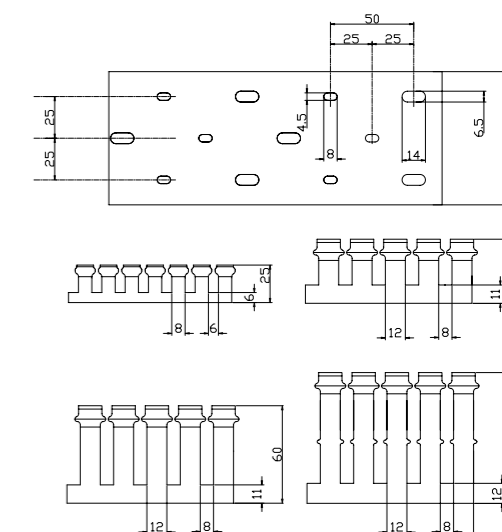
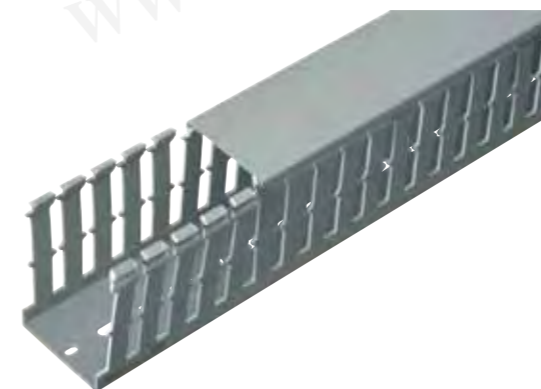
**CHARACTERISTICS:**

- Made of Halogen Free thermopolymer with PVC base in compliance with VDE 0472 part 815 standards. (BR+CL > 0,2% e F < 0,1%).
- Emission limit level according to CEI 20-37 part 7: 8.2 toxicity indices.
- Self-Extinguishing degree V0 to UL94 standards.
- Resistance to abnormal heat and fire up to 850°C (Glow wire test IEC 695-2-1).
- Dimensional stability between -40°C to + 100°C.
- Manufactured in compliance with EN 50085-2-3 standards.
- **Slots 8/12/8 type**, bottom with holes for easy installation, 2 m length.
- Packed in stout cardboard boxes to ease transportation and storage.



GREY RAL 7035

ARTICLE	EXTERNAL DIMENSIONS B x h mm	PACKING m
ECAH6060	60x60	32
ECAH6080	60x80	24
ECAH8040	80x40	32
ECAH8060	80x60	24
ECAH8080	80x80	16
ECAH10040	100x40	24
ECAH10060	100x60	20
ECAH10080	100x80	16
ECAH12040	120x40	20
ECAH12060	120x60	14
ECAH12080	120x80	12



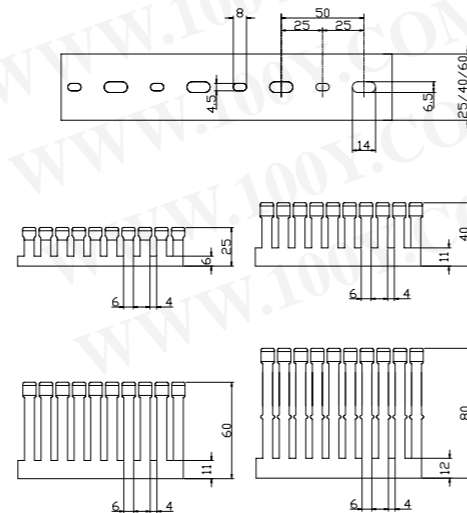
## SLOTTED TRUNKING 4/6/4 SH SERIES

**CHARACTERISTICS:**

- Made of Halogen Free thermopolymer with PVC base in compliance with VDE 0472 part 815 standards. (BR+CL > 0,2% e F < 0,1%).
- Emission limit level according to CEI 20-37 part 7: 8.2 toxicity indices.
- Self-Extinguishing degree V0 to UL94 standards.
- Resistance to abnormal heat and fire up to 850°C (Glow wire test IEC 695-2-1).
- Dimensional stability between -40°C to + 100°C.
- Manufactured in compliance with EN 50085-2-3 standards.
- **Slots 4/6/4 type**, bottom with holes for easy installation, 2 m length.
- Packed in stout cardboard boxes to ease transportation and storage.



ARTICLE	EXTERNAL DIMENSIONS B x h mm	PACKING m
ECSH1517	15x17	46
ECSH2530	25x30	58
ECSH2540	25x40	48
ECSH2560	25x60	34
ECSH2580	25x80	28
ECSH4030	40x30	40
ECSH4040	40x40	30
ECSH4060	40x60	22
ECSH4080	40x80	36
ECSH6030	60x30	52
ECSH6040	60x40	40



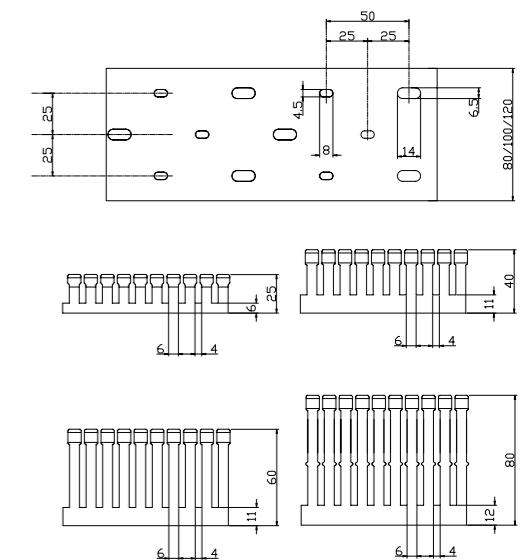
## SLOTTED TRUNKING 4/6/4 SH SERIES

**CHARACTERISTICS:**

- Made of Halogen Free thermopolymer with PVC base in compliance with VDE 0472 part 815 standards. (BR+CL > 0,2% e F < 0,1%).
- Emission limit level according to CEI 20-37 part 7: 8.2 toxicity indices.
- Self-Extinguishing degree V0 to UL94 standards.
- Resistance to abnormal heat and fire up to 850°C (Glow wire test IEC 695-2-1).
- Dimensional stability between -40°C to + 100°C.
- Manufactured in compliance with EN 50085-2-3 standards.
- **Slots 4/6/4 type**, bottom with holes for easy installation, 2 m length.
- Packed in stout cardboard boxes to ease transportation and storage.



ARTICLE	EXTERNAL DIMENSIONS B x h mm	PACKING m
ECSH6060	60x60	32
ECSH6080	60x80	24
ECSH8040	80x40	32
ECSH8060	80x60	24
ECSH8080	80x80	16
ECSH10040	100x40	24
ECSH10060	100x60	20
ECSH10080	100x80	16
ECSH12040	120x40	20
ECSH12060	120x60	14
ECSH12080	120x80	12



## HOLDING CLIPS AND MOUNTING DIN RAILS CO and 460 SERIES

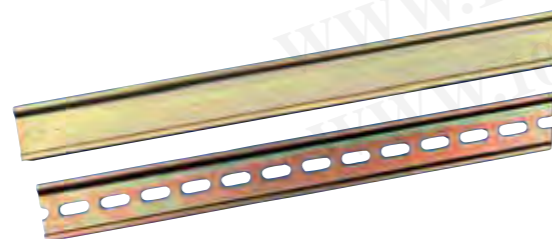
**CHARACTERISTICS:**

- Made of rigid nylon .
- It avoids the cable exit during the installation.
- Holding clips to be fixed to trunking by screws.
- Holding bars to be hooked to trunking.
- Usable with both closed and slotted trunkings.
- Packed in stout cardboard boxes to ease transportation and storage.



ARTICLE	TO SUIT TRUNKING DIMENSIONS mm	DESCRIPTIONS	PACKAGE/PACKING Pcs
ECCO4040	40x40	HOLDING CLIP	5/25
ECCO4060	40x60	HOLDING CLIP	5/25
ECCO4080	40x80	HOLDING CLIP	5/25
ECCO40100	40x100	HOLDING CLIP	5/25
ECCO6040	60x40	HOLDING CLIP	5/25
ECCO6060	60x60	HOLDING CLIP	5/25
ECCO6080	60x80	HOLDING CLIP	5/25
ECCO60100	60x100	HOLDING CLIP	5/25
ECCO8040	80x40	HOLDING CLIP	5/25
ECCO8060	80x60	HOLDING CLIP	5/25
ECCO8080	80x80	HOLDING CLIP	5/25
ECCO80100	80x100	HOLDING CLIP	5/25
ECCO10040	100x40	HOLDING CLIP	5/25
ECCO10060	100x60	HOLDING CLIP	5/25
ECCO10080	100x80	HOLDING CLIP	5/25
ECCO100100	100x100	HOLDING CLIP	5/25
ECCO12040	120x40	HOLDING CLIP	5/25
ECCO12060	120x60	HOLDING CLIP	5/25
ECCO12080	120x80	HOLDING CLIP	5/25
ECCO150	150x60	HOLDING BAR	5/25
ECCO200	200x60/80	HOLDING BAR	5/25

ARTICLE	LENGTH m	DESCRIPTION	PACKING Pcs
EC460	2	MOUNTING DIN RAIL – BLANK	10
EC460F	2	MOUNTING DIN RAIL – DRILLED	10



## PRE-CUT AND FLEXIBLE TRUNKINGS P and 234 SERIES

**PRE-CUT TRUNKING CHARACTERISTICS:**

- Made of technopolymer with PVC base, rigid and self-extinguishing.
- Pre-blanking holes for pipes entry of 18 and 23 mm diameter.
- Bottom with holes for easy installation, 2 m standard length.

**FLEXIBLESLOTTED TRUNKING CHARACTERISTICS:**

- Made of technopolymer with polypropylene base, rigid and self-extinguishing.
- Bottom with adhesive or with screws holes for installation.
- **Slotted 7,5/5/7,5 type**, 500 mm standard length.



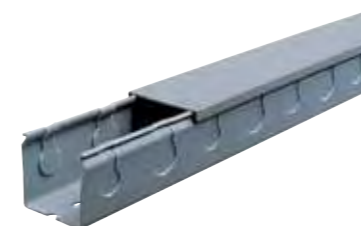
### Pre-cut trunking for pipes entry P SERIES

ARTICLE	EXTERNAL DIMENSIONS B x h mm	PACKING m
ECP5050	50x50	24

### Flexible slotted trunking 234 SERIES\*

ARTICLE		EXTERNAL DIMENSIONS B x h mm	PACKING Pcs
SCREW FIXING	ADHESIVE FIXING		
EC23401	EC23411	12,5x12,5x500	112
EC23402	EC23412	16x16x500	84
EC23403	EC23413	20x20x500	112
EC23404	EC23414	25x25x500	70
EC23405	EC23415	30x30x500	50
EC23406	EC23416	40x40x500	50
EC23407	EC23417	50x50x500	32

\* CE only



Serie P



Serie 234

## SPIRAL WRAP - P / PN / PA SERIES

### CHARACTERISTICS:

- Made of polythene.
- To be used in switchboards panels.
- Suggested use: to fasten wires or cables.
- Available colours: transparent, black, white (self-extinguishing).

### Spiral wrap in transparent polythene – P series

ARTICLE	INTERNAL DIAMETER mm	EXTERNAL DIAMETER mm	COIL/PACKING m
ECP1,5	1,5	3	25/500
ECP03	3	5	25/500
ECP04	4	6	25/500
ECP06	6	8	25/300
ECP08	8	10	25/400
ECP10	10	12	25/200
ECP12	12	14	20/160
ECP14	14	16	20/160

### Spiral wrap in black polythene - PN series

ARTICLE	INTERNAL DIAMETER mm	EXTERNAL DIAMETER mm	COIL/PACKING m
ECPN1,5	1,5	3	25/500
ECPN03	3	5	25/500
ECPN04	4	6	25/500
ECPN06	6	8	25/300
ECPN08	8	10	25/400
ECPN10	10	12	25/200
ECPN12	12	14	20/160
ECPN14	14	16	20/160

### Spiral wrap in white self-extinguishing polythene – PA series

ARTICLE	INTERNAL DIAMETER mm	EXTERNAL DIAMETER mm	COIL/PACKING m
ECPN1,5	1,5	3	25/500
ECPA03	3	5	25/500
ECPA04	4	6	25/500
ECPA06	6	8	25/300
ECPA08	8	10	25/400
ECPA10	10	12	25/200
ECPA12	12	14	20/160
ECPA14	14	16	20/160



## VIPLA TUBE TV SERIES

### CHARACTERISTICS:

- Made of technopolymer with PVC base, soft and self-extinguishing.
- Insulation resistance > 5 MΩ a 1,5 KV.
- Standard color: black.
- Upon request and for large quantity, other colours are available.

勝特力材料 886-3-5753170  
 勝特力电子(上海) 86-21-34970699  
 勝特力电子(深圳) 86-755-83298787  
[Http://www.100y.com.tw](http://www.100y.com.tw)

ARTICLE	INTERNAL DIAMETER mm	THICKNESS mm	COIL m
ECTV02	2	0,3	200
ECTV03	3	0,3	200
ECTV04	4	0,4	200
ECTV05	5	0,4	100
ECTV06	6	0,4	100
ECTV07	7	0,4	100
ECTV08	8	0,4	100
ECTV09	9	0,5	100
ECTV10	10	0,5	100
ECTV12	12	0,5	100
ECTV14	14	0,5	50
ECTV16	16	0,5	50
ECTV18	18	0,5	50
ECTV20	20	0,5	50
ECTV22	22	0,5	50
ECTV24	24	0,6	50
ECTV26	26	0,6	30
ECTV28	28	0,6	30
ECTV30	30	0,7	30
ECTV32	32	0,8	30
ECTV34	34	0,8	25
ECTV36	36	1	25



## 絕緣配線槽 WIRING DUCT (SLOTTED)(8mm出線孔)



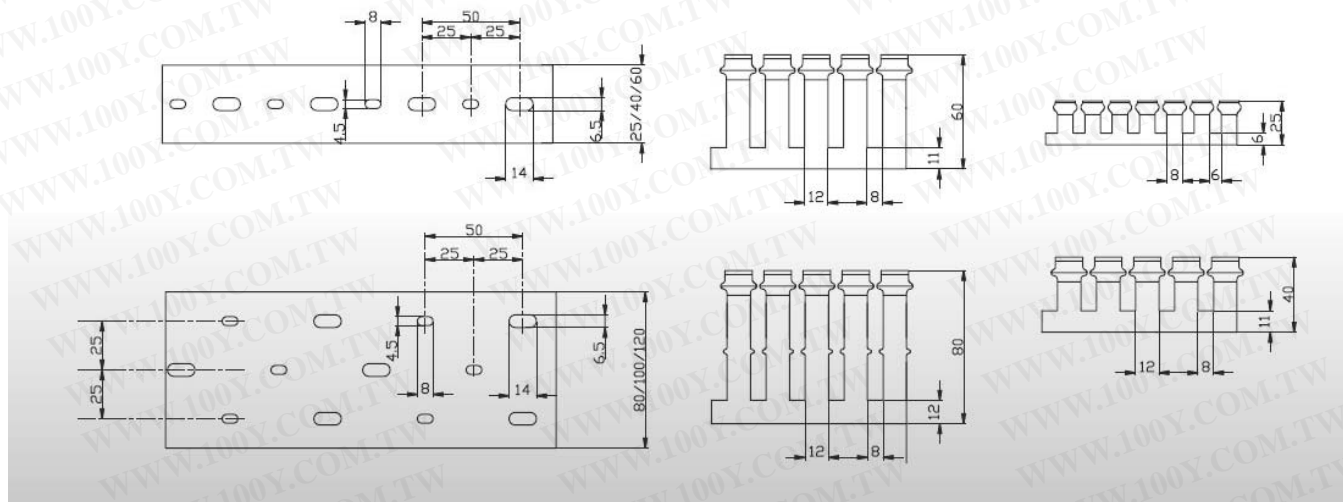
材質：進口硬質PVC,不含鉛等有毒成分，環保無汙染(符合UL94)，絕緣性良好且阻燃

顏色：灰色RAL7030；灰色RAL7035；白色RAL9001

構造：由槽底及槽蓋兩部分組成，底槽兩側設出線孔

特點：

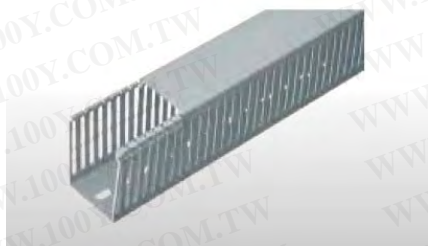
- 1.底座兩側出線孔互相對齊，任何處鋸斷或接成L型均可保持盤面美觀，整齊
- 2.槽蓋經特別設計，與底座組合後絕不脫落，且接合面平滑，不割傷手及擦損附近配線
- 3.出線孔低，組合容易，拆卸簡單，易於配線



型號 Item No.	寬X高 WXH	電線容量(以2平方計算) Wires to be Contained	長度 L
ECA2525	25X25	10~25pcs	2M
ECA2540	25X40	20~25pcs	2M
ECA2560	25X60	40~45pcs	2M
ECA2580	25X80	100~120pcs	2M
ECA4025	40X25	20~25pcs	2M
ECA4040	40X40	60~70pcs	2M
ECA4060	40X60	100~115pcs	2M
ECA4080	40X80	120~135pcs	2M
ECA40100	40X100	130~175pcs	2M
ECA6040	60X40	100~115pcs	2M
ECA6060	60X60	120~135pcs	2M
ECA6080	60X80	180~210pcs	2M
ECA60100	60X100	240~290pcs	2M
ECA8040	80X40	120~135pcs	2M
ECA8060	80X60	180~210pcs	2M
ECA8080	80X80	240~290pcs	2M
ECA80100	80X100	260~350pcs	2M
ECA10040	100X40	130~175pcs	2M
ECA10060	100X60	240~290pcs	2M
ECA10080	100X80	260~350pcs	2M
ECA100100	100X100	300~400pcs	2M
ECA12040	120X40	130~175pcs	2M
ECA12060	120X60	240~290pcs	2M
ECA12080	120X80	300~400pcs	2M

勝特力材料 886-3-5753170  
 勝特力电子(上海) 86-21-34970699  
 勝特力电子(深圳) 86-755-83298787  
[Http://www.100y.com.tw](http://www.100y.com.tw)

## 絕緣配線槽 WIRING DUCT (SLOTTED)(4mm出線孔)



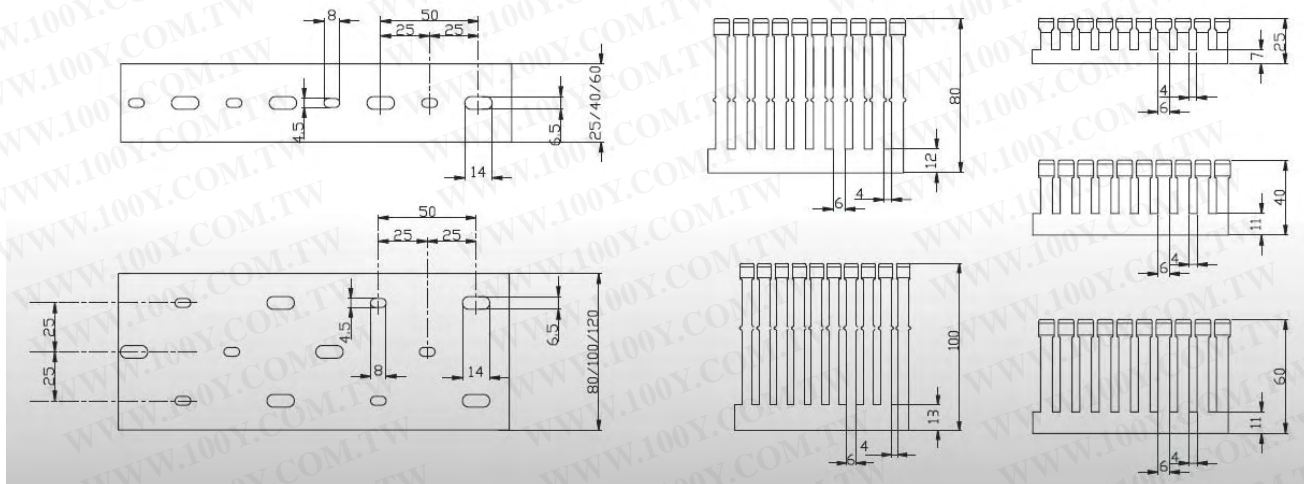
材質：進口硬質PVC,不含鉛等有毒成分，環保無汙染(符合UL94)，絕緣性良好且阻燃

顏色：灰色RAL 7030；灰色RAL7035；白色RAL9001

構造：由槽底及槽蓋兩部分組成，底槽兩側設出線孔

特點：

- 1.底座兩側出線孔互相對齊，任何處鋸斷或接成L型均可保持盤面美觀，整齊
- 2.槽蓋經特別設計，與底座組合後絕不脫落，且接合面平滑，不割傷手及擦損附近配線
- 3.出線孔低，組合容易，拆卸簡單，易於配線



型號 Item No.	寬X高 WXH	電線容量(以2平方計算) Wires to be Contained	長度 L
ECS2525	25X25	10~25pcs	2M
ECS2540	25X40	20~25pcs	2M
ECS2560	25X60	40~45pcs	2M
ECS2580	25X80	100~120pcs	2M
ECS4025	40X25	20~25pcs	2M
ECS4040	40X40	60~70pcs	2M
ECS4060	40X60	100~115pcs	2M
ECS4080	40X80	120~135pcs	2M
ECS40100	40X100	130~175pcs	2M
ECS6040	60X40	100~115pcs	2M
ECS6060	60X60	120~135pcs	2M
ECS6080	60X80	180~210pcs	2M
ECS60100	60X100	240~290pcs	2M
ECS8040	80X40	120~135pcs	2M
ECS8060	80X60	180~210pcs	2M
ECS8080	80X80	240~290pcs	2M
ECS80100	80X100	260~350pcs	2M
ECS10040	100X40	130~175pcs	2M
ECS10060	100X60	240~290pcs	2M
ECS10080	100X80	260~350pcs	2M
ECS100100	100X100	300~400pcs	2M
ECS12040	120X40	130~175pcs	2M
ECS12060	120X60	240~290pcs	2M
ECS12080	120X80	300~400pcs	2M

## 低煙無鹵線槽 WIRING DUCT (8mm出線孔)



材質：進口無鹵素原料(符合VED 0472第815部分),不含鉛等有毒成分,環保無汙染,符合歐盟ROHS認證要求。

防火性：符合UL94V-0,低煙無鹵,燃阻,防火性與絕緣性極佳

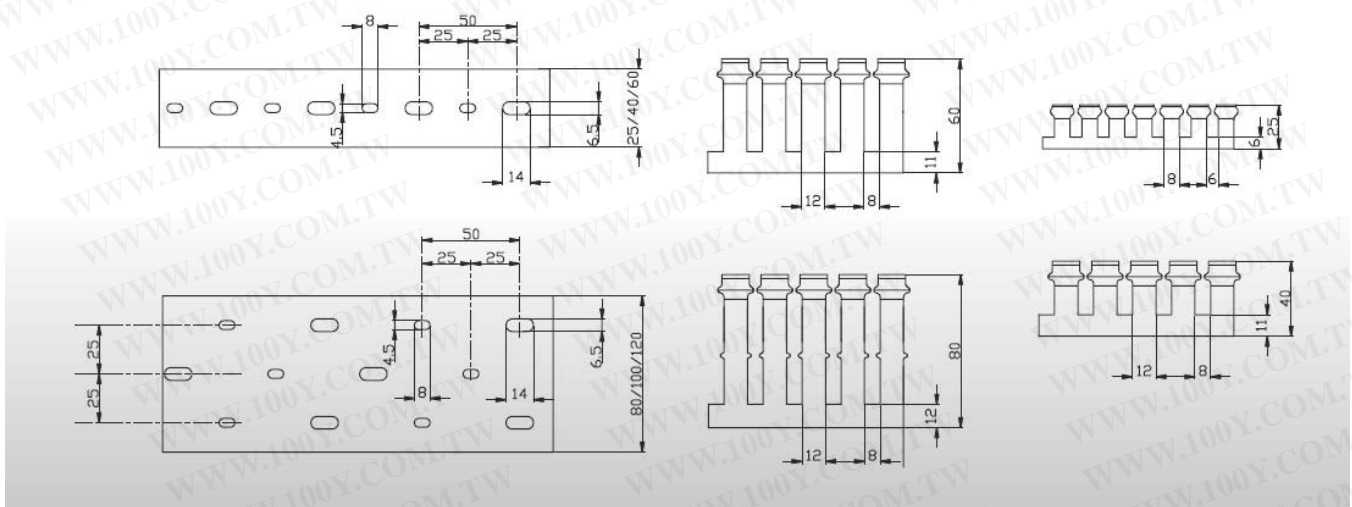
耐高溫：-40°C到+100°C內保持線槽尺寸穩定性,並通過灼熱絲測試,符合認證IEC695-2-1.

顏色：灰色RAL 7035

構造：由槽底及槽蓋兩部分組成,底槽兩側設出線孔,標準長度2米

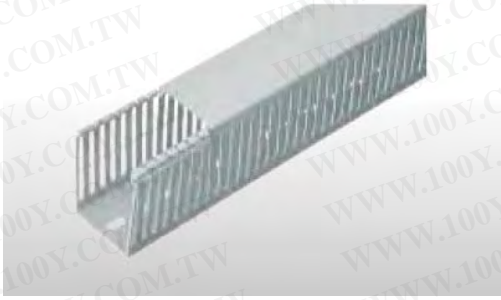
特點：

- 1.底座兩側出線孔互相對齊,任何處鋸斷或接成L型均可保持盤面美觀,整齊。
- 2.槽蓋經特別設計,與底座組合後絕不脫落,且接合面平滑,不割傷手及擦損附近配線
- 3.出線孔低,組合容易,拆卸簡單,易於配線



型號 Item No.	寬X高 WxH	電線容量(以2平方計算) Wires to be Contained	長度 L
ECAH1517	15X17	5~10pcs	2M
ECAH2530	25X30	15~25pcs	2M
ECAH2540	25X40	20~25pcs	2M
ECAH2560	25X60	40~45pcs	2M
ECAH2580	25X80	40~60pcs	2M
ECAH4030	40X30	40~45pcs	2M
ECAH4040	40X40	60~70pcs	2M
ECAH4060	40X60	100~115pcs	2M
ECAH4080	40X80	120~135pcs	2M
ECAH6030	60X30	30~50pcs	2M
ECAH6040	60X40	100~115pcs	2M
ECAH6060	60X60	120~135pcs	2M
ECAH6080	60X80	180~210pcs	2M
ECAH8040	80X40	120~135pcs	2M
ECAH8060	80X60	180~210pcs	2M
ECAH8080	80X80	240~290pcs	2M
ECAH10040	100X40	130~175pcs	2M
ECAH10060	100X60	240~290pcs	2M
ECAH10080	100X80	260~350pcs	2M
ECAH12040	120X40	150~200pcs	2M
ECAH12060	120X60	240~290pcs	2M
ECAH12080	120X80	300~400pcs	2M

# 低煙無鹵線槽 WIRING DUCT (4mm出線孔)



材質：進口無鹵素原料(符合VED 0472第815部分), 不含鉛等有毒成分, 環保無汙染, 符合歐盟ROHS認證要求。

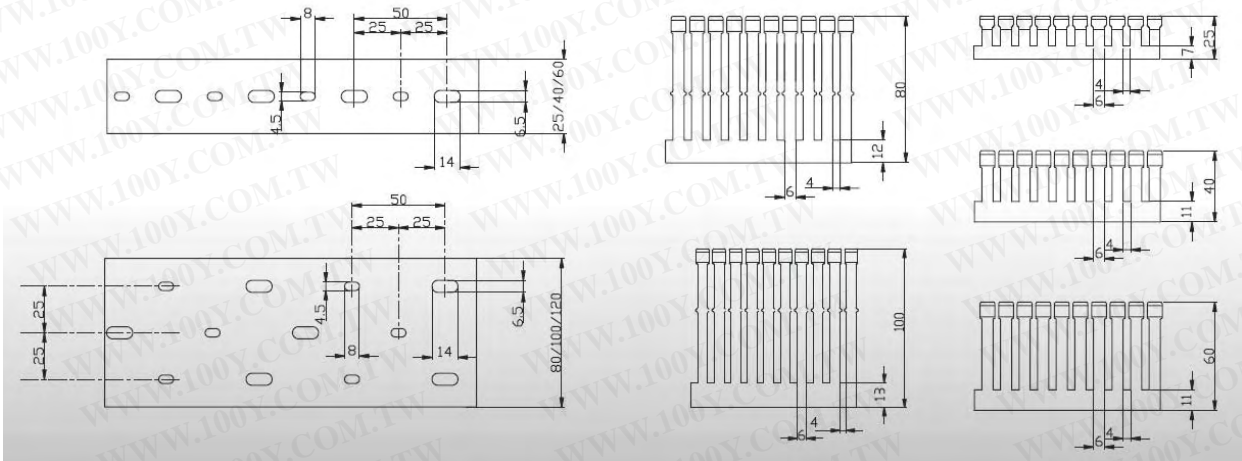
防火性：符合UL94V-0, 低煙無鹵, 燃阻, 防火性與絕緣性極佳

耐高溫：-40°C到+100°C內保持線槽尺寸穩定性, 並通過灼熱絲測試, 符合認證IEC695-2-1.

顏色：灰色RAL 7035

構造：由槽底及槽蓋兩部分組成, 底槽兩側設出線孔, 標準長度2米  
特點：

1. 底座兩側出線孔互相對齊, 任何處鋸斷或接成L型均可保持盤面美觀, 整齊。
2. 槽蓋經特別設計, 與底座組合後絕不脫落, 且接合面平滑, 不割傷手及擦損附近配線
3. 出線孔低, 組合容易, 拆卸簡單, 易於配線



型號 Item No.	寬x高 WXH	電線容量(以2平方計算) Wires to be Contained	長度 L
ECSH1517	15X17	5~10pcs	2M
ECSH2530	25X30	15~25pcs	2M
ECSH2540	25X40	20~25pcs	2M
ECSH2560	25X60	40~45pcs	2M
ECSH2580	25X80	40~60pcs	2M
ECSH4030	40X30	40~45pcs	2M
ECSH4040	40X40	60~70pcs	2M
ECSH4060	40X60	100~115pcs	2M
ECSH4080	40X80	120~135pcs	2M
ECSH6030	60X30	30~50pcs	2M
ECSH6040	60X40	100~115pcs	2M
ECSH6060	60X60	120~135pcs	2M
ECSH6080	60X80	180~210pcs	2M
ECSH8040	80X40	120~135pcs	2M
ECSH8060	80X60	180~210pcs	2M
ECSH8080	80X80	240~290pcs	2M
ECSH10040	100X40	130~175pcs	2M
ECSH10060	100X60	240~290pcs	2M
ECSH10080	100X80	260~350pcs	2M
ECSH12040	120X40	150~200pcs	2M
ECSH12060	120X60	240~290pcs	2M
ECSH12080	120X80	300~400pcs	2M

**勝特力材料 886-3-5753170**  
**勝特力电子(上海) 86-21-34970699**  
**勝特力电子(深圳) 86-755-83298787**  
[Http://www.100y.com.tw](http://www.100y.com.tw)