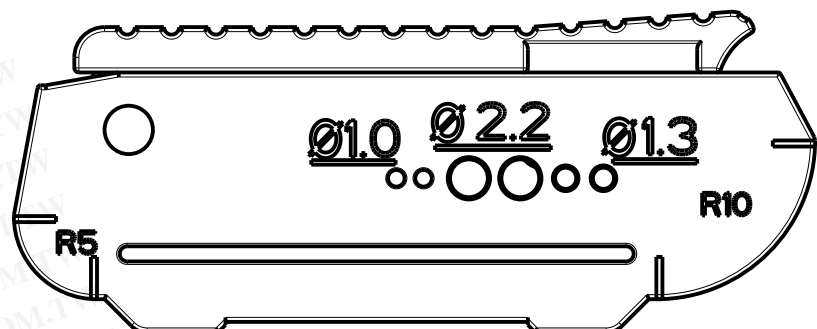
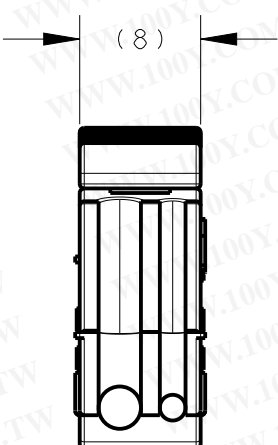
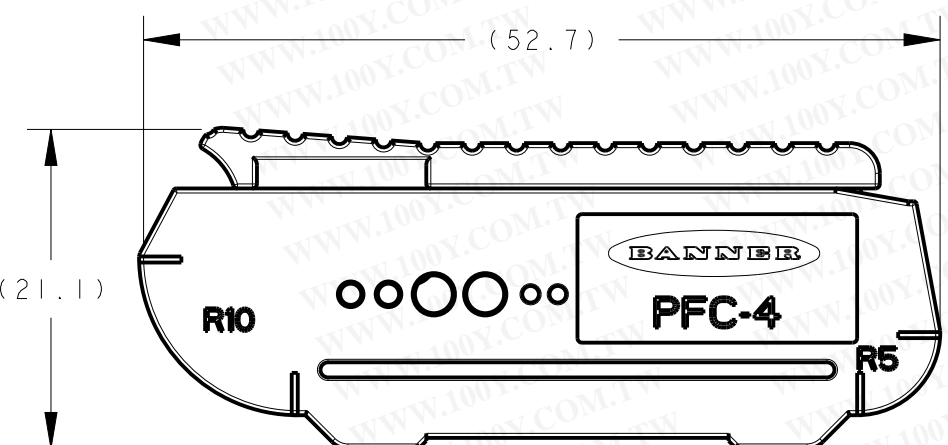
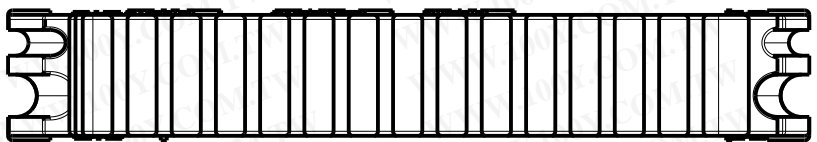


8 7 6 5 4 3 2 1

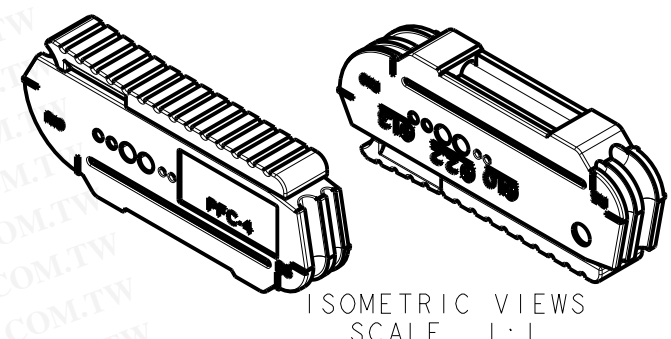
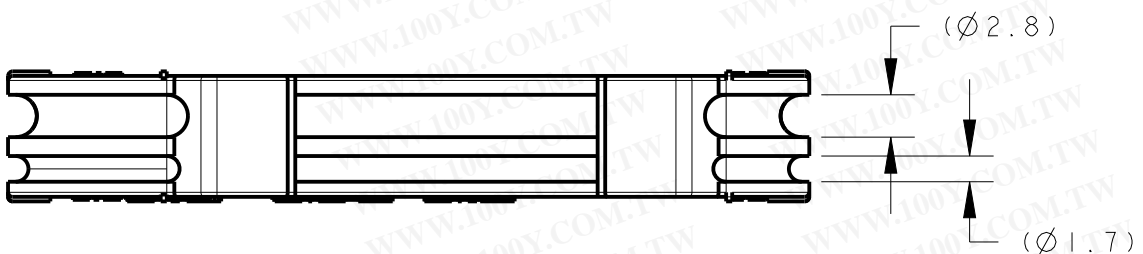
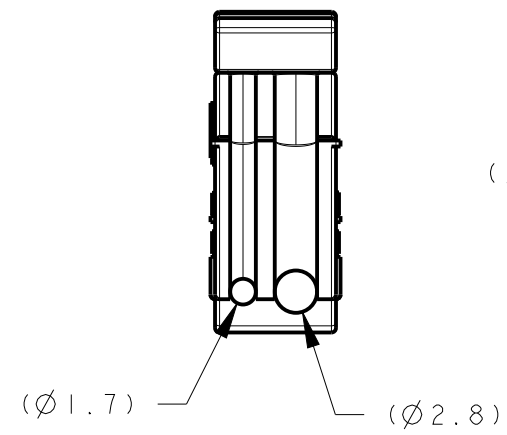
REVISION HISTORY			
REV	DESCRIPTION	DATE	APPROVED
A	INITIAL APPROVAL;	8-20-13	R.LEONARD J.STENGER

勝特力材料 886-3-5753170
 勝特力电子(上海) 86-21-34970699
 勝特力电子(深圳) 86-755-83298787
[Http://www.100y.com.tw](http://www.100y.com.tw)



D
C
B
A

D
C
B
A



ALL SHEETS ARE THE SAME REVISION STATUS

NOTES:

1. MATERIAL: PURCHASED PART xxxxxx
2. FINISH: NONE
3. PART TO BE FREE OF BURRS, SHARP EDGES, SHAVINGS, GREASE, OIL, VENDOR MARKINGS AND ALL OTHER CONTAMINATION.

DIMENSIONS ARE IN MILLIMETERS UNLESS OTHERWISE SPECIFIED TOLERANCE ON ANGLE: ±3° .X ±.5 .X ±.1 .XX ±.1 INTERPRET DIMENSIONS & TOLERANCES PER ASME Y14.5M - 1994		This drawing is the property of BANNER ENGINEERING CORP. and is proprietary in general and in detail. Its contents shall not be revealed to outside parties without written consent of BANNER.	
THIRD ANGLE PROJECTION 		DRAWN BY R. LEONARD	DATE 8-20-13
		APPROVED BY J. STENGER	DATE 8-20-13
		APPROVED BY	DATE

BANNER ENGINEERING CORP. P.O. BOX 9414 MINNEAPOLIS, MN 55440		
TITLE <p style="text-align: center;">PFC-4 PLASTIC FIBER CUTTER</p>		
SIZE B	DRAWING NO. 87226	REV. A
SCALE 2:1	SHEET 1 OF 1	

8 7 6 5 4 3 2 1

PRO/E