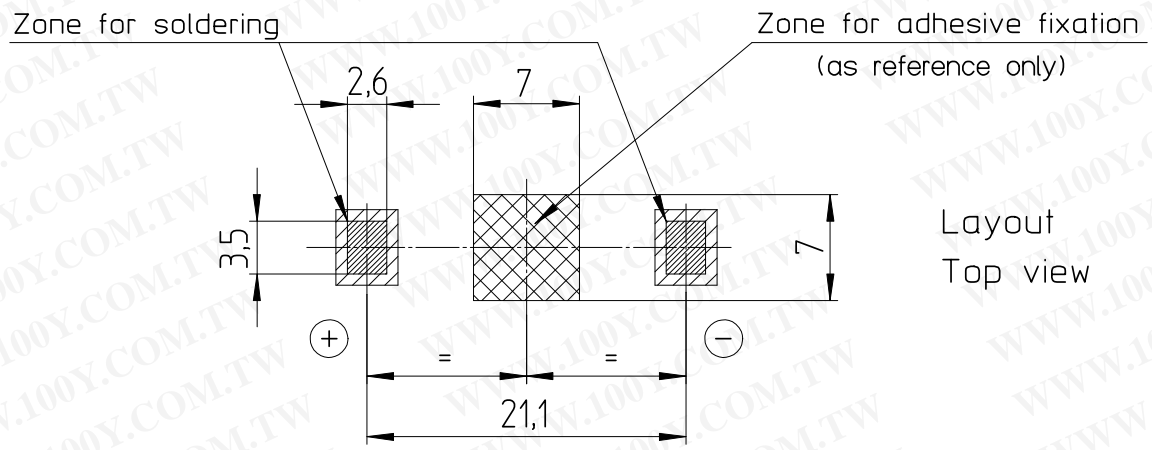
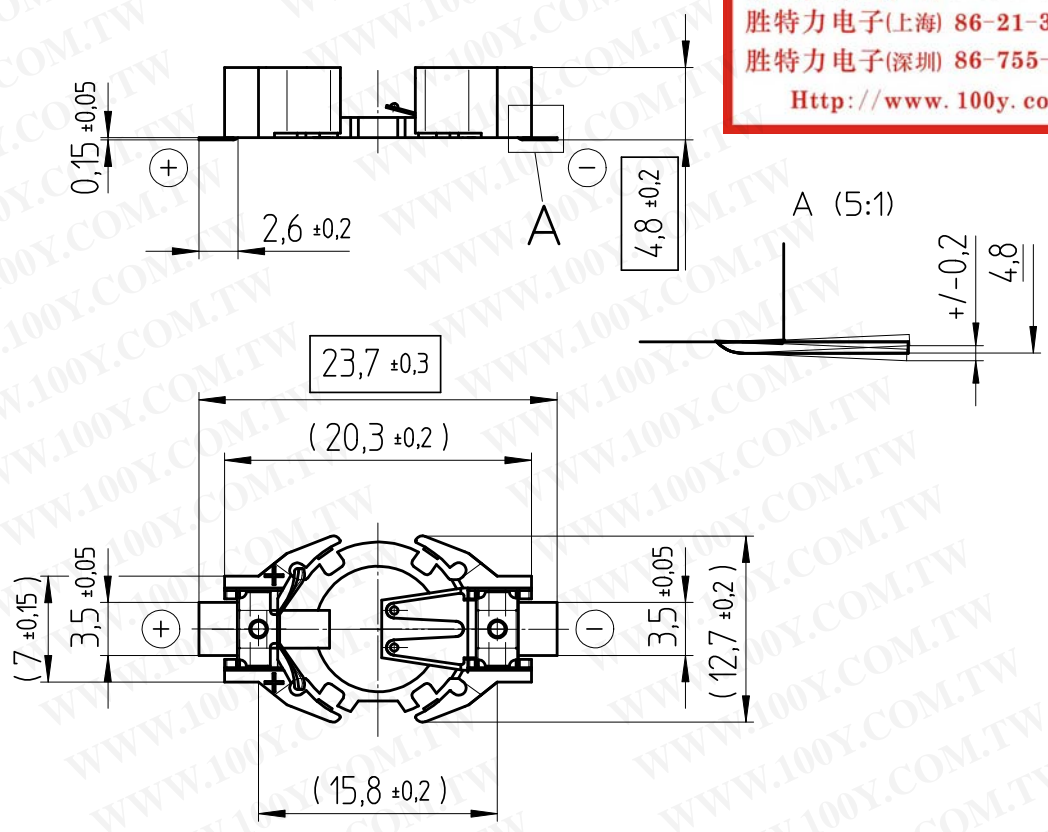


Art.-Number: 701115

勝特力材料 886-3-5753170  
 勝特力电子(上海) 86-21-34970699  
 勝特力电子(深圳) 86-755-83298787  
[Http://www.100y.com.tw](http://www.100y.com.tw)



Holder material : heat resistant, glass-fiber reinforced LCP  
 Battery contacts : spring stainless steel 301 nickel plated, thickness 10µm  
 Solder contacts : spring stainless steel 301 solder plated throughout 100% Sn, thickness 10µm

All framed values will be used for dimension checking !

Rev.	①	07.09.07	MCi	Rev.	○			Customer's Approval		
Rev.	○			Rev.	○			Date		
Rev.	○			Rev.	○			Signature		
Titel:							Scale	Drawn	25.01.05	SRi
SMTU1225-LF							2:1	Checked	07.09.07	BBö
								Approved	07.09.07	MHo
							CH-4452 Itingen		3.8759.4-1	
							Switzerland			

- Samples can deviate in the execution from the serie.

- Dimensions and tolerances can be specified only after the testing of the devices for the mass production de