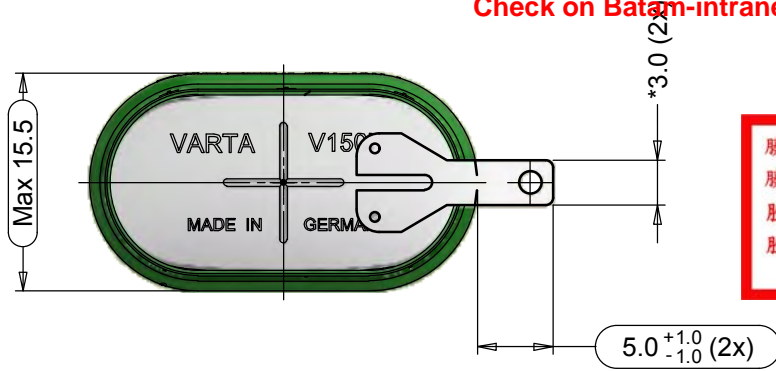
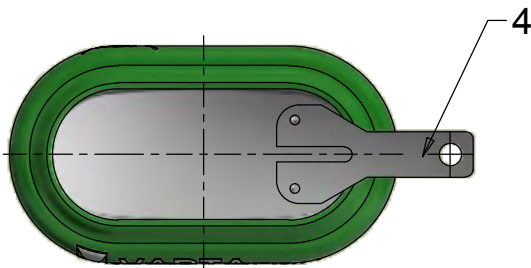
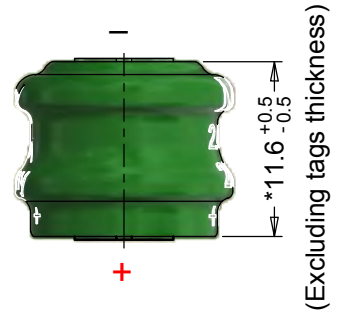
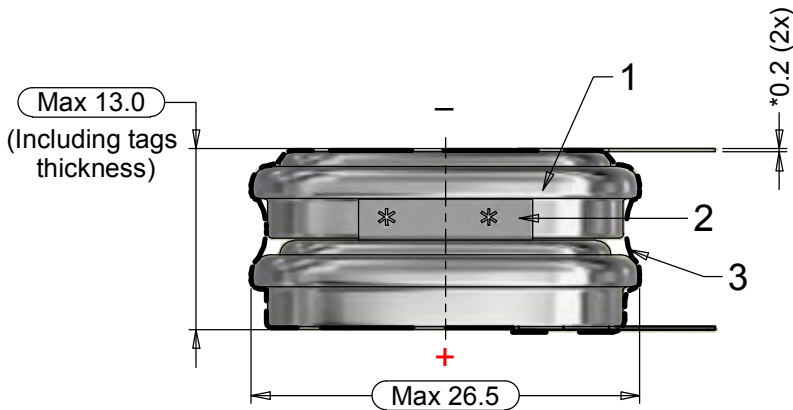


This is a controlled document.
Check on Batam-intranet or SAP system for latest update.

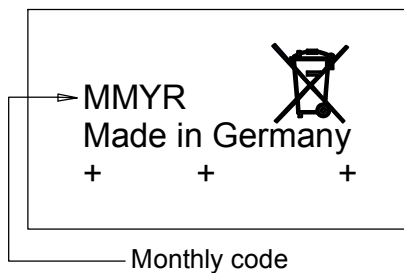
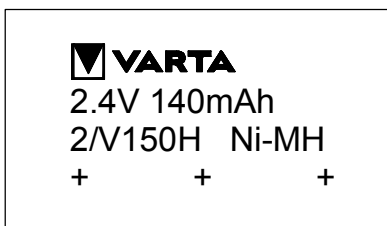


勝特力電材超市-龍山店 886-3-5773766
勝特力電材超市-光復店 886-3-5729570
勝特力電子(上海) 86-21-34970699
勝特力電子(深圳) 86-755-83298787
<http://www.100y.com.tw>



Front Artwork

Rear Artwork



Note : 1) *Dimensions fo reference only
2) Dimensions to be considered for measurement

Approx, wt. : 13 g

No	AO No	Revision	Date	Name
1	22-R135	Updated drawing to 3D, updated new VARTA logo on printed sleeve and on title block.	2022-08-29	Tholib S
0	-	Initial released (refer to drawing #071900)	2002-03-06	Ratna

Projection :	Material : Refer to part list no: 073443	Description : 2/V150H SK S ST with sleeve & solder tags
Dimension in mm	Prepared : 2002-03-06 Name : Ratna	Dwg. No : 073443 4 0 1
Tolerance : As specified	Checked : 2022-08-29 Name : Ian	VKB Order No : 55615 302 060
Scale : 2 : 1	Approved : 2022-08-30 Name : Sunil S	

Rights reserved to make technical changes, as a result of further development, without notice. This drawing is the property of VARTA Microbattery and must not be copied or disclosed to a third party without the written consent of VARTA Microbattery.

