

勝特力材料 886-3-5753170  
 勝特力电子(上海) 86-21-34970699  
 勝特力电子(深圳) 86-755-83298787  
 Http://www.100y.com.tw



**HR-3UTG-4BP-SP**  
**eneloop 低自放電三號鎳氫充電電池**  
 容量：2000mAh



**HR-4UTG-4BP-SP**  
**eneloop 低自放電四號鎳氫充電電池**  
 容量：800mAh

- 四顆裝
- 電壓：1.2V
- 超低自放電：充飽電後放置半年可維 90% 以上電力，放置一年後仍可保持 85% 以上電量，徹底改善傳統鎳氫電池缺點。
- 重複使用 1000 回：低電池損耗，經濟又環保。
- 立即使用：拆封後無須充電即可立即使用，隨時給您飽滿的電力。
- 低溫耐候：即使在 -10 度低溫惡劣的天候中，仍可正常供電，適合專業攝影使用。
- 超低記憶效應：隨用隨充，擺脫電池記憶效應，使用更方便。
- 泛用性高：適用各種小家電、手電筒、電子血壓計、電動牙刷、刮鬍刀等。

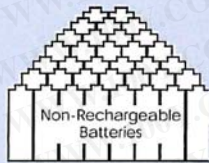
**All of these amazing features have now been combined in eneloop!**

**REUSABLE**

Since **eneloop** can be used 1000 times, the cost per use works out to just 10 cents. Once the battery-life expires, it can be recycled in an environmentally-friendly way.



Cost per use is only 10 cents!



Reduce the number of used non-rechargeable batteries.

**CAN BE STORED FOR A LONG TIME**

Charging **eneloop** right after purchase is not necessary since it retains 90% of its charge, even after 6 months. **eneloop** can be used right out of the pack, and also makes a great battery for emergency use.



**eneloop In-Storage Energy Loss**



**ALMOST FIVE TIMES MORE POWERFUL**

Take nearly five times more digital pictures.

**Comparison of Digital Camera Shots**



**SUPERIOR PERFORMANCE, EVEN IN LOW TEMPERATURES**

Even in low temperatures, at ski resorts or in winter climates, **eneloop** displays superior power characteristics for even more enjoyment than before.

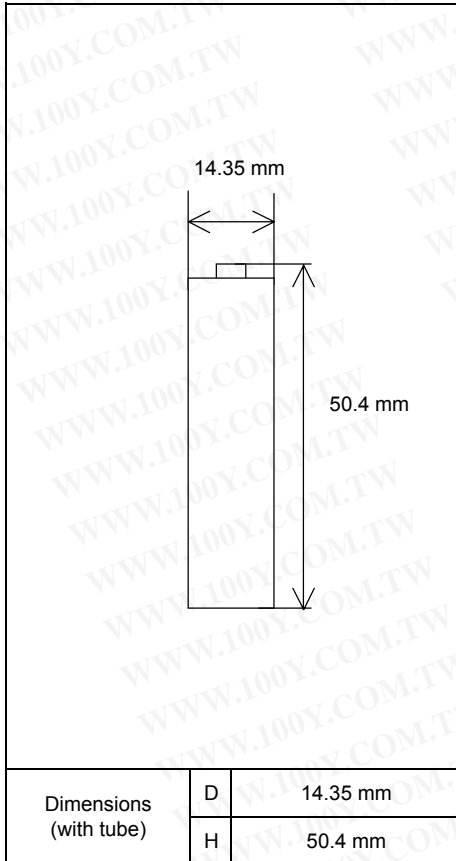


**CAN BE USED FOR WIDE RANGE OF EQUIPMENT**

**eneloop** can be used for a wide variety of electronic equipment, from remote controls to digital cameras.

eneloop Recommended Use		eneloop	
	eneloop	Non-Rechargeable Batteries	
	eneloop	Non-Rechargeable Batteries	
digital camera	○	○	○
electronic flash	○	○	○
shaver	○	○	○
electric toothbrush	○	○	○
LCD TV	○	○	○
radio-controlled car	○	○	○
portable game	○	○	○
flashlight	○	○	○
walkie-talkie	○	○	○
portable audio	○	○	○
portable radio	○	○	○
remote control	○	○	○
clock	○	○	○

### Specifications

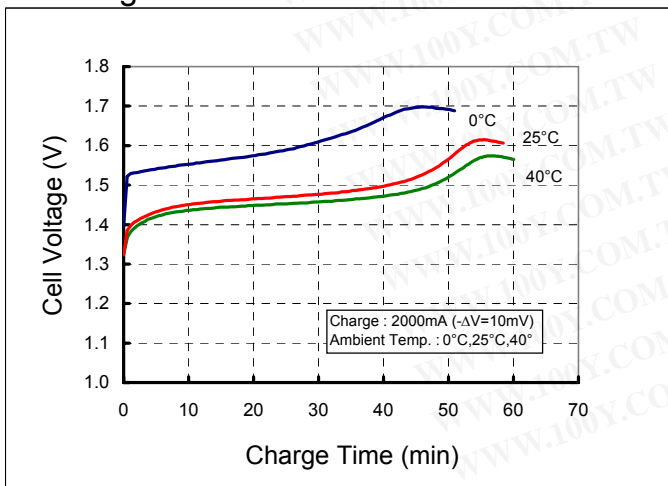


Type : Nickel-Metal Hydride Battery		Size : AA Consumer Type
Capacity <sup>1)</sup>	Typical	2000mAh
	Minimum	1900mAh
Nominal Voltage		1.2V
Charging Current x Time	Fast Charge <sup>2)</sup>	2000mA × 1.1h
Ambient Temp.	Charge Condition	Fast Charge <sup>2)</sup>
	Discharge Condition	0°C - 40°C
	Storage Condition	0°C - 50°C
Storage Condition	Less than 90days	-20°C - 40°C
	Less than 1year	-20°C - 30°C
Internal Impedance <sup>3)</sup> (after discharge to E.V.=1.0V)		Approx. 25mΩ (at 1000Hz)
Weight <sup>4)</sup>		Approx.27g
Size <sup>4)</sup> : (Diameter) x (Height)		14.35(D) x 50.4(H) mm

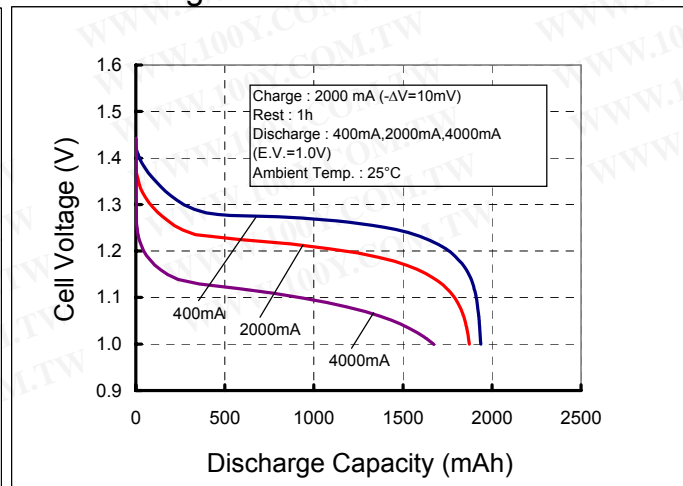
- 1)Single cell capacity under the following condition.  
Charge : 200mA×16h, Discharge : 400mA(E.V.=1.0V) at 25°C
- 2)Use recommended charging system.
- 3)After a few charge and discharge cycles under the above 1) condition.
- 4)With tube.

### Typical Characteristics

#### Charge

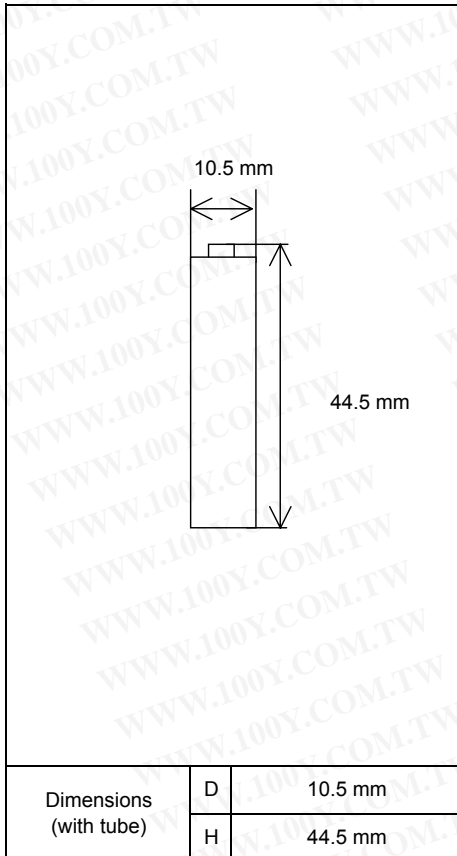


#### Discharge



2007/08\*

### Specifications

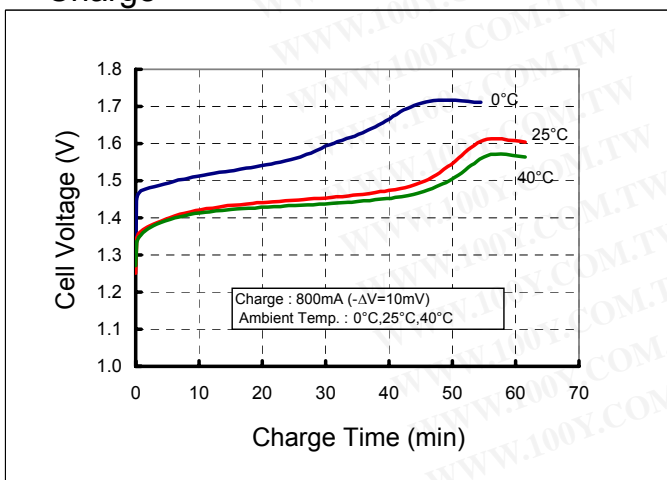


Type : Nickel-Metal Hydride Battery		Size : AAA Consumer Type
Capacity <sup>1)</sup>	Typical	800mAh
	Minimum	750mAh
Nominal Voltage		1.2V
Charging Current x Time	Fast Charge <sup>2)</sup>	800 mA x about 1.1h
Ambient Temp.	Charge Condition	Fast Charge <sup>2)</sup>
	Discharge Condition	
	Storage Condition	
	Less than 90days	-20°C - 40°C
	Less than 1year	-20°C - 30°C
Internal Impedance <sup>3)</sup> (after discharge to E.V.=1.0V)		Approx. 40mΩ (at 1000Hz)
Weight <sup>4)</sup>		Approx. 13 g
Size <sup>4)</sup> : (Diameter) x (Height)		10.5(D) x 44.5(H) mm

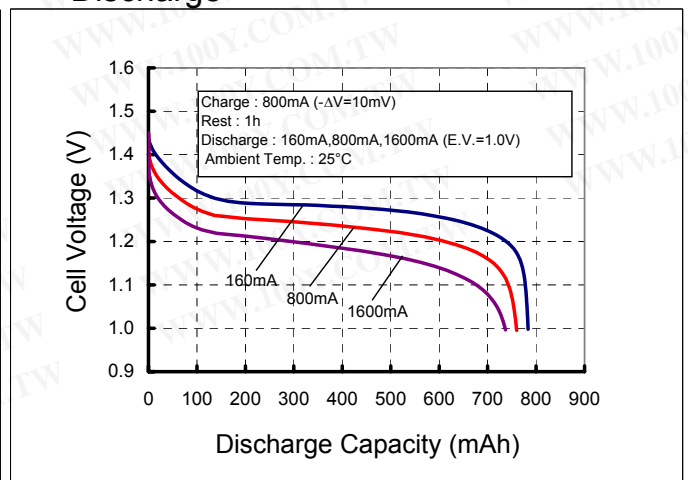
- 1) Single cell capacity under the following condition.  
Charge : 80mA×16h, Discharge : 160mA(E.V.=1.0V) at 20°C
- 2) Use recommended charging system.
- 3) After a few charge and discharge cycles under the above 1) condition.
- 4) With tube.

### Typical Characteristics

#### Charge



#### Discharge



2007/08