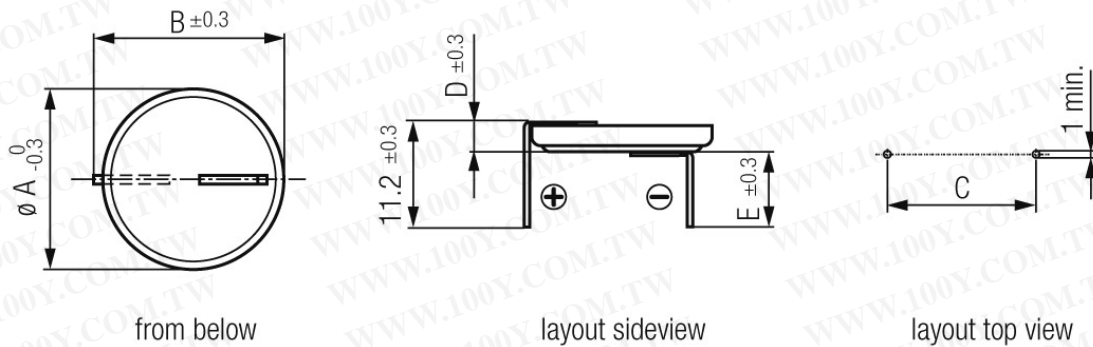


勝特力材料 886-3-5753170  
 勝特力电子(上海) 86-21-54151736  
 勝特力电子(深圳) 86-755-83298787  
[Http://www.100y.com.tw](http://www.100y.com.tw)

# ISOTAN TABS

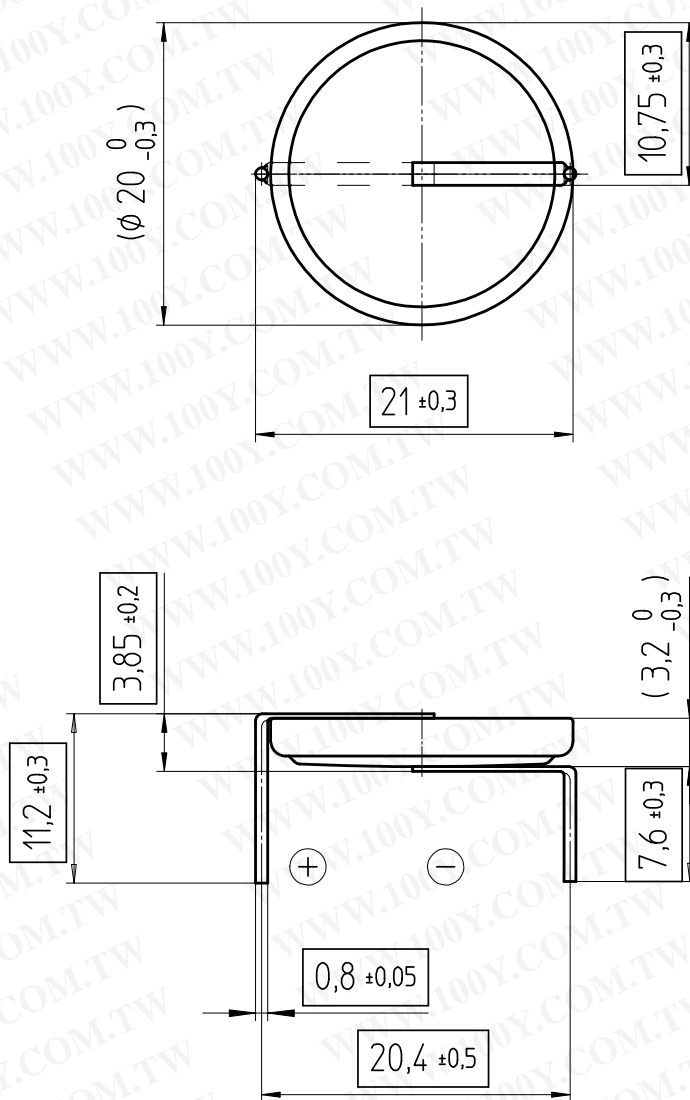
## Tabbed 3V Lithium Batteries for P.C. Board Mounting



| RENATA Part name | RENATA Part number | Nominal capacity (mAh) | Weight (g) | Maximum dimensions (mm) |      |       |      |     |
|------------------|--------------------|------------------------|------------|-------------------------|------|-------|------|-----|
|                  |                    |                        |            | A                       | B    | C     | D    | E   |
| CR1225AH         | 700772             | 48                     | 1.1        | 12.50                   | 13.3 | 11.0  | 3.10 | 7.6 |
| CR1632AH1        | 700534             | 125                    | 2.0        | 16.00                   | 17.0 | 15.2  | 3.80 | 7.6 |
| CR2025AH MFR     | 701720             | 165                    | 2.7        | 20.00                   | 21.0 | 15.2  | 3.10 | 7.6 |
| CR2025AH         | 700310             | 170                    | 2.5        | 20.00                   | 21.0 | 15.2  | 3.10 | 7.6 |
| CR2032AH MFR     | 701721             | 225                    | 3.0        | 20.00                   | 21.0 | 15.2  | 3.85 | 7.6 |
| CR2032AH         | 700771             | 235                    | 3.0        | 20.00                   | 21.0 | 15.2  | 3.85 | 7.6 |
| CR2032AH0 MFR    | 701722             | 225                    | 3.0        | 20.00                   | 21.0 | 10.35 | 3.85 | 7.6 |
| CR2032AH0        | 700324             | 235                    | 3.0        | 20.00                   | 21.0 | 10.35 | 3.85 | 7.6 |
| CR2032AH1 MFR    | 701723             | 225                    | 3.0        | 20.00                   | 21.0 | 20.4  | 3.85 | 7.6 |
| CR2032AH1        | 700325             | 235                    | 3.0        | 20.00                   | 21.0 | 20.4  | 3.85 | 7.6 |
| CR2430AH         | 700360             | 285                    | 4.3        | 24.50                   | 25.3 | 20.4  | 3.60 | 7.6 |
| CR2450NAH        | 700378             | 540                    | 6.1        | 24.50                   | 25.3 | 20.4  | 5.60 | 5.6 |
| CR2477NAH        | 700393             | 950                    | 8.3        | 24.50                   | 25.3 | 20.4  | 8.30 | 3.0 |


\* Packaging: Industrial Bulk (IB-Trays)

勝特力材料 886-3-5753170  
 勝特力电子(上海) 86-21-54151736  
 勝特力电子(深圳) 86-755-83298787  
[Http://www.100y.com.tw](http://www.100y.com.tw)



Tab material: Isotan (54%Cu,44%Ni,Mn)

All framed values will be used for dimension checking !

|  |   |  |  |      |   |  |  |                                |          |          |                  |  |
|--|---|--|--|------|---|--|--|--------------------------------|----------|----------|------------------|--|
| Rev.   | ○ |  |  | Rev. | ○ |  |  | Customer's Approval            |          |          |                  |  |
| Rev.   | ○ |  |  | Rev. | ○ |  |  | Date                           |          |          |                  |  |
| Rev.   | ○ |  |  | Rev. | ○ |  |  | Signature                      |          |          |                  |  |
| Titel:<br><b>CR2032AH1</b>   |   |  |  |      |   |  |  | Scale<br>2:1                   | Drawn    | 11.05.05 | MCi              |  |
|  |   |  |  |      |   |  |  |                                | Checked  | 11.05.05 | FKo              |  |
|  |   |  |  |      |   |  |  |                                | Approved |          |                  |  |
| <b>renata</b> <br>batteries |   |  |  |      |   |  |  | CH-4452 Itingen<br>Switzerland |          |          | <b>3.8814.4-</b> |  |