

384

SR736SW (SR41)
Watch Battery OEM
Swiss Made

勝特力材料 886-3-5753170
 勝特力电子(上海) 86-21-34970699
 勝特力电子(深圳) 86-755-83298787
[Http://www.100y.com.tw](http://www.100y.com.tw)

Technical Data Sheet

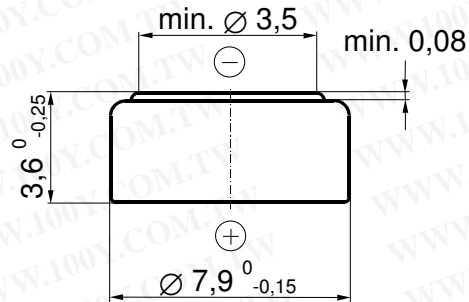
Specifications

Chemical system	Zinc / Monovalent Silver Oxide, low drain
Nominal Voltage	1,55 V
Capacity	45 mAh, Discharge over 23,7 kΩ at 20°C to 1,2 V
Operating Temperature	0°C – 60°C
Self Discharge	Less than 5% per year at 20°C
Weight	~0,65 g

Dimensions

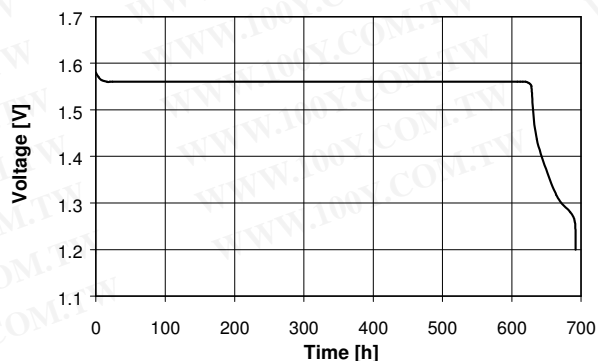
(according IEC 60086-3)

Diameter	7,90 mm (0,311")
Height	3,60 mm (0,142")



Discharge Curve

Constant Load	23,7 kΩ
Starting Drain	65,8 μA
Temperature	20°C



Information and contents in this data sheet are for reference purpose only. They do not constitute any warranty or representation and are subject to change without notice. For most current information and further details, please contact your Renata representative.