

ZA10

PR70

Hearing Aid Battery

Technical Data Sheet

勝特力材料 886-3-5753170
 勝特力电子(上海) 86-21-34970699
 勝特力电子(深圳) 86-755-83298787
[Http://www.100y.com.tw](http://www.100y.com.tw)

Specifications

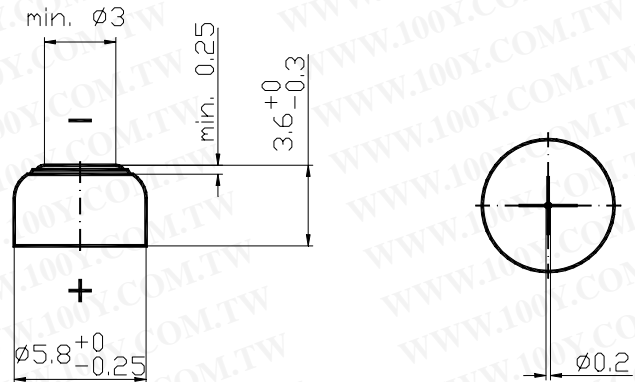
| | |
|-----------------------|---|
| Chemical system | Zinc / Air |
| Nominal Voltage | 1,4 V |
| Capacity | 80 mAh, Discharge over 3,010 k Ω 12 hours per day at 20°C to 0,9 V |
| Operating Temperature | 0°C – 50°C |
| Self Discharge | Less than 5% per year at 20°C with label applied |
| Weight | ~0,30 g |

**These batteries need air when they are used.
 Battery compartment must allow free access of air.**

Dimensions

(according IEC 60086-2)

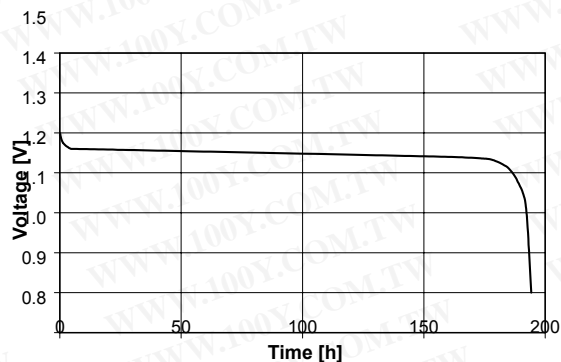
| | |
|----------|-----------------|
| Diameter | 5,8 mm (0,228") |
| Height | 3,6 mm (0,142") |



Discharge Curve

12 hours per day at 20°C, 7 days/week, 50% rh

| | |
|-----------------------|------------------|
| Constant Load | 3,010 k Ω |
| Average current Drain | 0,41 mA |



Rev. ZA10.09 06/02