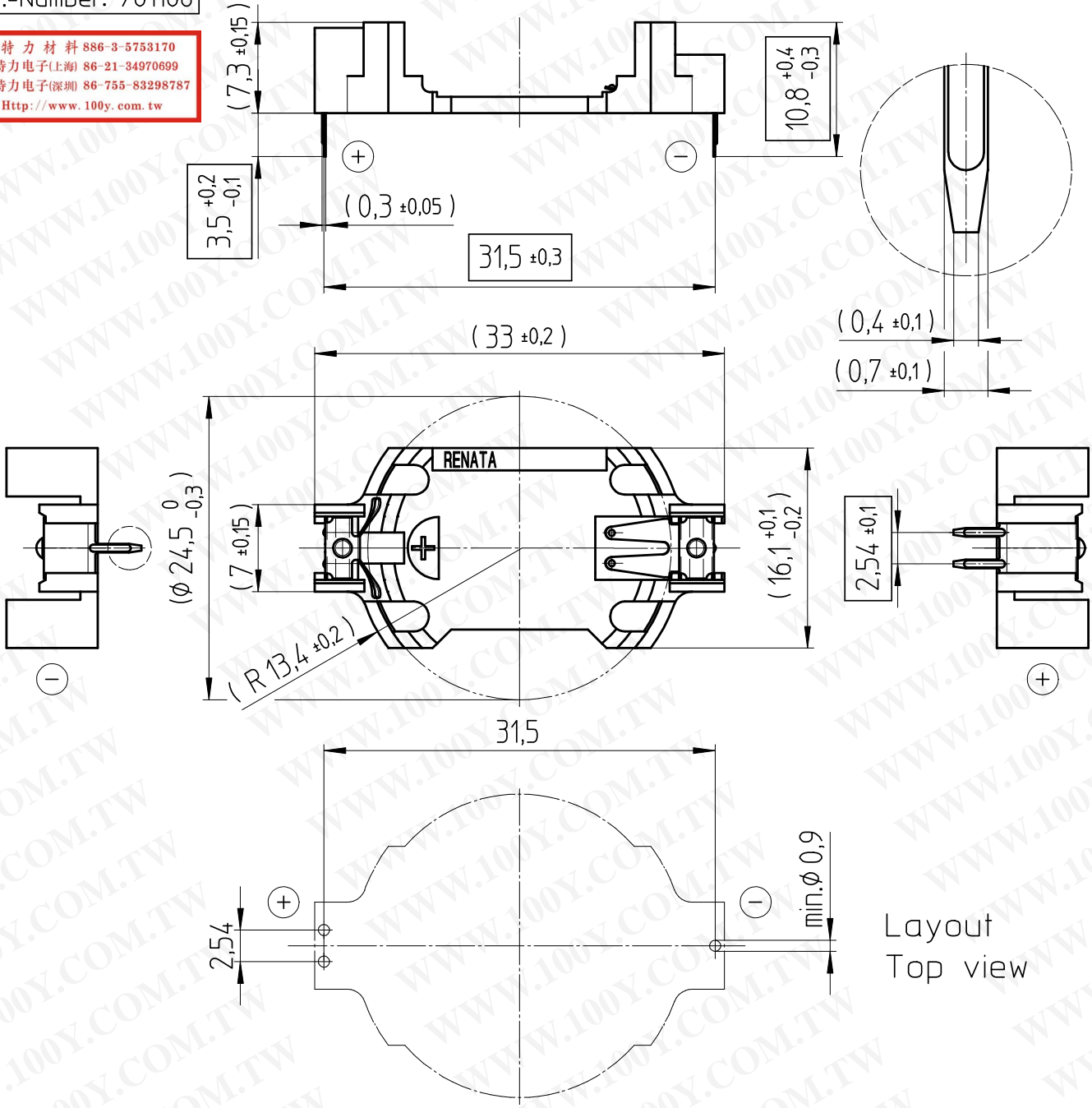


Art.-Number: 701108

勝特力材料 886-3-5753170
 勝特力电子(上海) 86-21-34970699
 勝特力电子(深圳) 86-755-83298787
 Http://www.100y.com.tw



- Samples can deviate in the execution from the serie.

- Dimensions and tolerances can be specified only after the testing of the devices for the mass production definitely

Holder material : heat resistant, glass-fiber reinforced LCP
 Battery contacts : spring stainless steel 301 nickel plated, thickness 10µm
 Solder contacts : spring stainless steel 301 solder plated throughout 100% Sn, thickness 10µm

All framed values will be used for dimension checking !

Rev.	①	10.09.07	MCI	Rev.	○				Customer's Approval		
Rev.	○			Rev.	○				Date		
Rev.	○			Rev.	○				Signature		
Titel:								Scale	Drawn	21.01.05	SRi
HU2450N-LF								2:1	Checked	10.09.07	BBö
								Approved			
				CH-4452 Itingen Switzerland				3.8753.4-1			