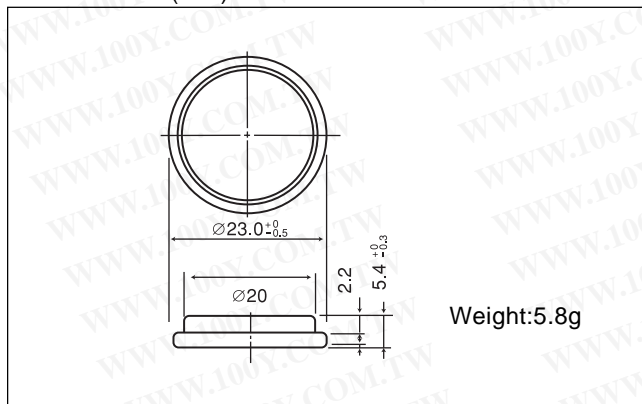


Manganese Dioxide Lithium Coin Batteries: Individual Specifications

CR2354

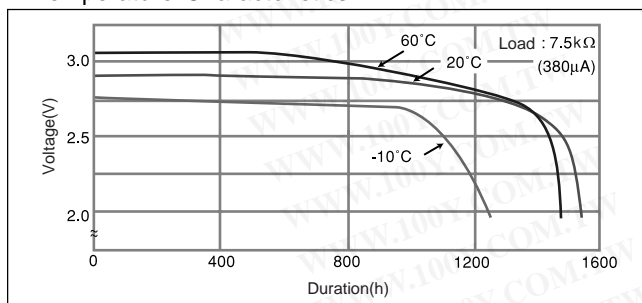
□ Dimensions(mm)



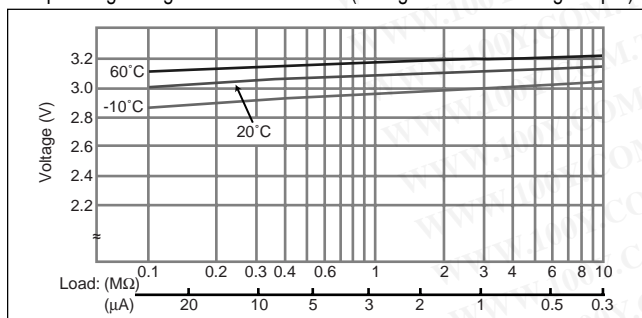
□ Specification

Nominal voltage (V)	3
Nominal capacity (mAh)	560
Continuous standard load (mA)	0.2
Operating temperature (C)	-30 ~ +60

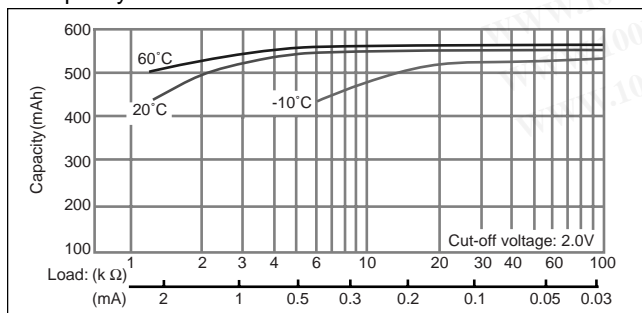
□ Temperature Characteristics



□ Operating voltage vs. load resistance (voltage at 50% discharge depth)

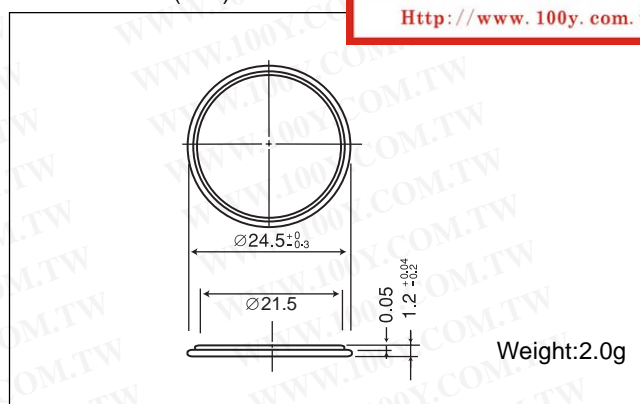


□ Capacity vs. load resistance



CR2412

□ Dimensions(mm)

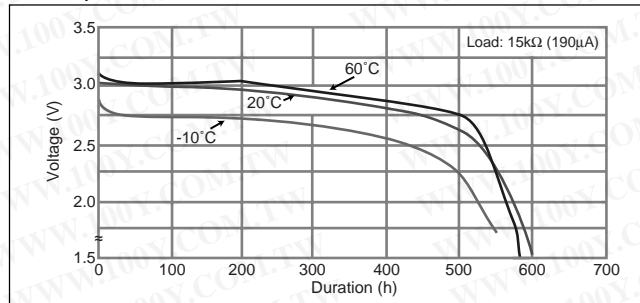


勝特力材料 886-3-5753170
 勝特力电子(上海) 86-21-34970699
 勝特力电子(深圳) 86-755-83298787
[Http://www.100y.com.tw](http://www.100y.com.tw)

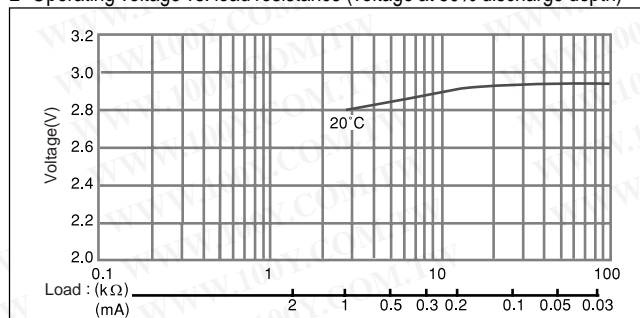
□ Specification

Nominal voltage (V)	3
Nominal capacity (mAh)	100
Continuous standard load (mA)	0.2
Operating temperature (C)	-30 ~ +60

□ Temperature Characteristics



□ Operating voltage vs. load resistance (voltage at 50% discharge depth)



□ Capacity vs. load resistance

