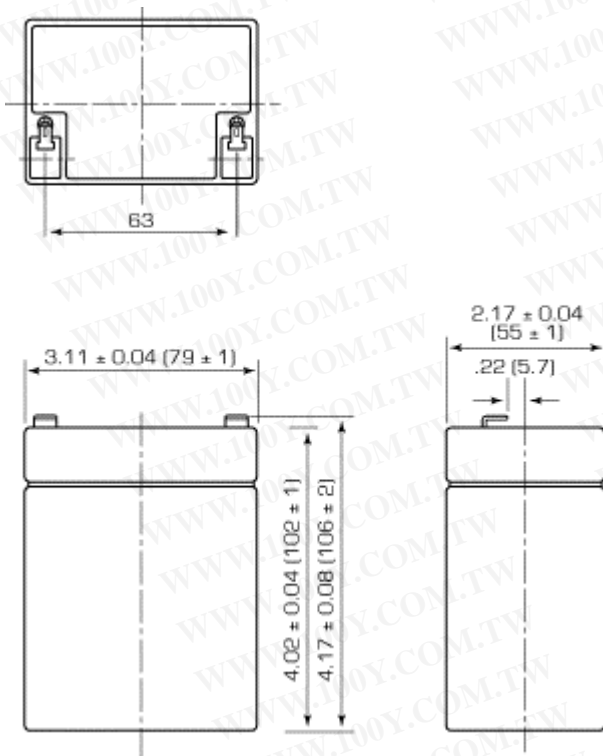


## PE12V2.7



### Dimensions



## Rechargeable Sealed Lead Acid Battery

### Specifications

<b>1</b>	<b>Nominal Voltage</b>	12V
<b>2</b>	<b>Nominal Capacity</b>	0.05C (0.135A to 10.50V) 2.70 AHR 0.1C (0.27A to 10.50V) 2.43 AHR 0.2C (0.54A to 10.20V) 2.106 AHR 1C (2.70A to 9.00V) 1.404 AHR
<b>3</b>	<b>Weight (Approx.)</b>	2.42 lbs. (1.10 kg)
<b>4</b>	<b>Internal Resistance of fully charged battery</b>	60 milliohms
<b>5</b>	<b>Energy Density (0.05C)</b>	0.97 Watt-hours/cubic inch (59.7 Watt-hours/ℓ)
<b>6</b>	<b>Specific Energy (0.05C)</b>	13.4 Watt-hours/pound (29.5 Watt-hours/ℓ)
<b>7</b>	<b>Maximum Discharge Current with standard terminals</b>	16.2 amperes
<b>8</b>	<b>Maximum Short Duration Discharge Current (less than 5 sec.)</b>	40.5 amperes
<b>9</b>	<b>Vibration Test</b>	(2000 cycles/minute, 0.10 inch excursion, 2 hours) No loss in capacity or performance
<b>10</b>	<b>Charge Retention (shelf life)</b>	% of nominal capacity at 77°F (25°C) 1 month 97% 3 months 91% 6 months 85%
<b>11</b>	<b>Operating Temperature Range</b>	Charge 32°F (0°C) to 104°F (40°C) Discharge -4°F (-20°C) to 122°F (50°C) Storage -4°F (-20°C) to 104°F (40°C)
<b>12</b>	<b>Case Material</b>	Synthetic resin (ABS)
<b>13</b>	<b>Standard Terminal</b>	F1: AMP Faston type 187

### CHARGING METHODS

#### CYCLIC USE:

Maximum Initial Charge Current: 1.75A

Charging Voltage: 14.4V-14.7V

Charge should be switched to float mode or disconnected when current drops to 70mA.

#### STANDBY USE:

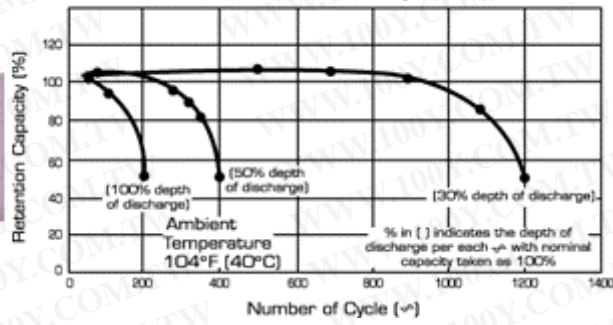
Maximum Initial Charge Current: 1.75A

Charge Voltage: 13.5V-13.8V

勝特力材料 886-3-5753170  
勝特力电子(上海) 86-21-34970699  
勝特力电子(深圳) 86-755-83298787  
[Http://www.100y.com.tw](http://www.100y.com.tw)

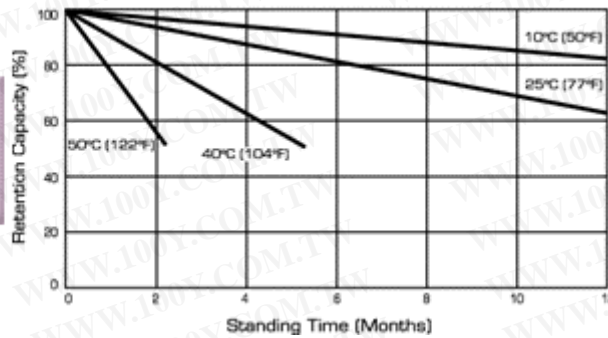
### Life Characteristics of Cyclic Use

Click here for larger image



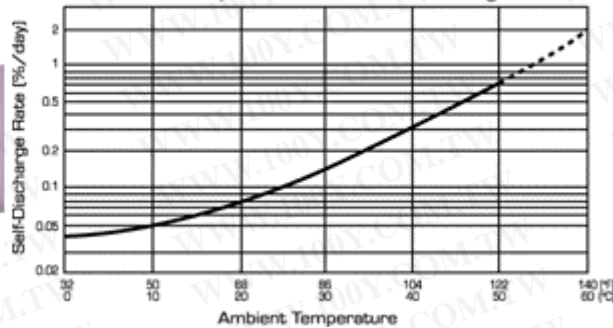
### Shelf Life Characteristics

Click here for larger image



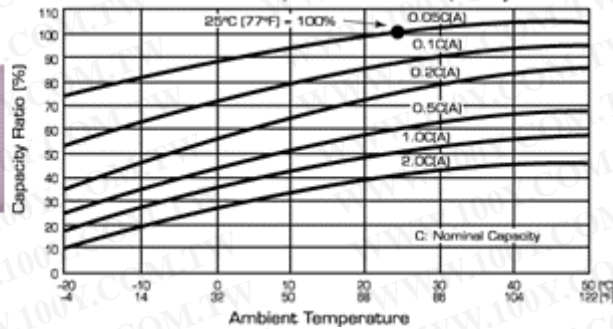
### Effect of Temperature on Self-Discharge Rate

Click here for larger image



### Effect on Temperature on Capacity

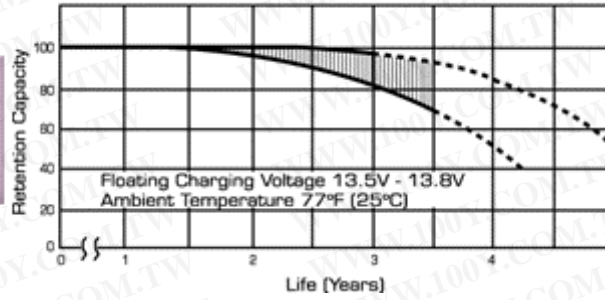
Click here for larger image



勝特力材料 886-3-5753170  
 勝特力电子(上海) 86-21-34970699  
 勝特力电子(深圳) 86-755-83298787  
[Http://www.100y.com.tw](http://www.100y.com.tw)

### Life Characteristics of Standby Use

Click here for larger image



勝特力材料 886-3-5753170  
勝特力电子(上海) 86-21-34970699  
勝特力电子(深圳) 86-755-83298787  
[Http://www.100y.com.tw](http://www.100y.com.tw)