

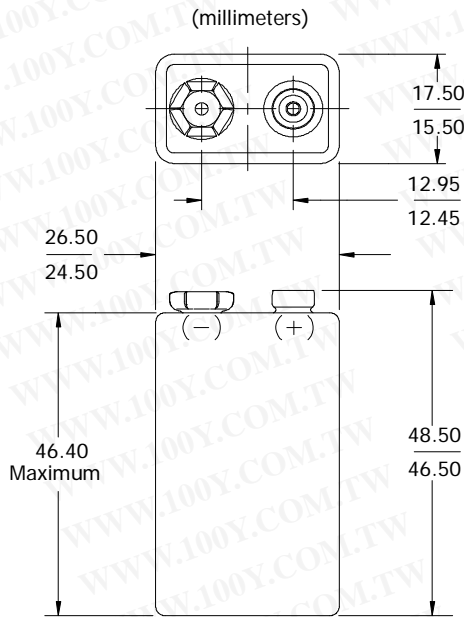
**Classic (6LR61)**



**Specifications**

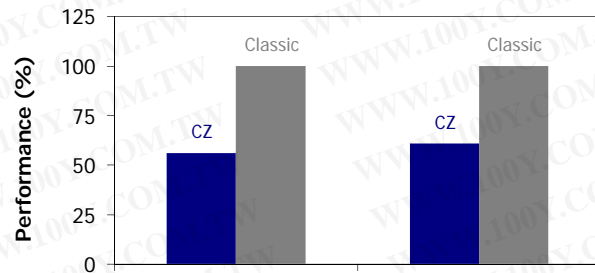
<b>Classification:</b>	Alkaline
<b>Chemical System:</b>	Zinc-Manganese Dioxide (Zn/MnO <sub>2</sub> ) No added mercury or cadmium
<b>Designation:</b>	IEC-6LR61
<b>Nominal Voltage:</b>	9.0 volts
<b>Operating Temp:</b>	-18°C to 55°C
<b>Typical Weight:</b>	46.0 grams
<b>Typical Volume:</b>	21.0 cubic centimeters
<b>Jacket:</b>	Metal
<b>Shelf Life:</b>	5 years at 21°C (80% of initial capacity)
<b>Terminal:</b>	Miniature Snap

**Industry Standard Dimensions**



**Performance Comparison**

Classic vs. Typical Carbon Zinc (9V) at 21°C

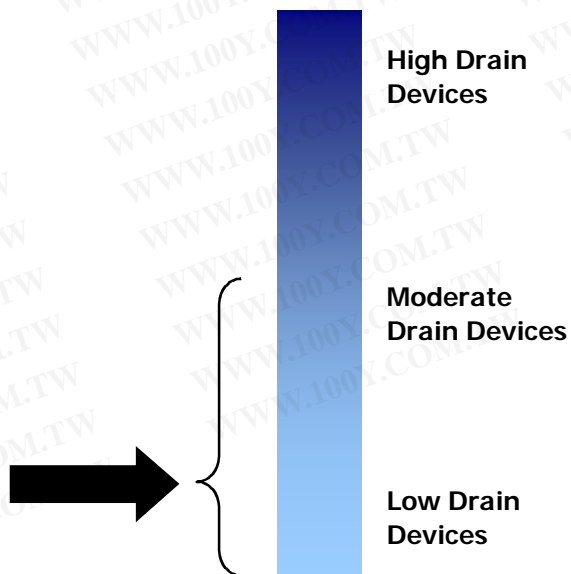


Industry Standard Testing Protocol

**Device Selection Guide:**

- Toy 
- Baby Monitor 
- Garage Opener 
- Clock Radio 
- Smoke Detector 

**Battery Selection Indicator**



**Important Notice**

This datasheet contains typical information specific to products manufactured at the time of its publication.  
 ©Energizer Holdings, Inc. - Contents herein do not constitute a warranty.