

3M™ Accessories - Grounding System, 3042



Wrist Strap Grounding System. Grounds two single conductor wrist straps and conveniently mounts beneath the edge of most work benches. Comes complete with 10 ft. (3.0 m) ground cord.

Characteristics

Color	Black
Height	1.00 Inch
Length	2.75 Inch
Width	1.25 Inch

勝特力材料 886-3-5753170
勝特力电子(上海) 86-21-34970699
勝特力电子(深圳) 86-755-83298787

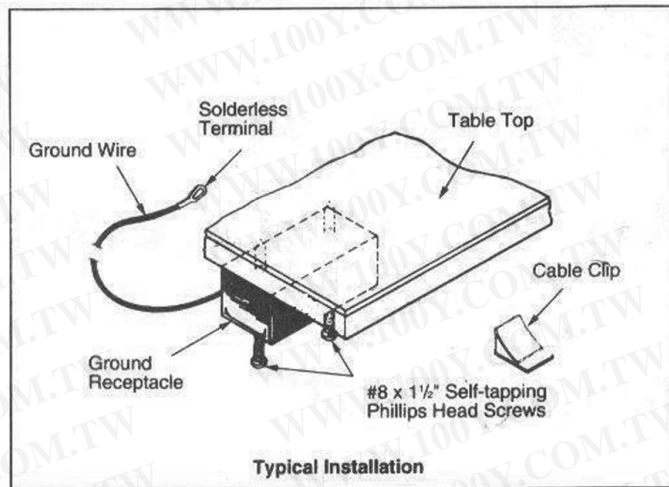
[Http://www.100y.com.tw](http://www.100y.com.tw)

勝特力材料 886-3-5753170
 勝特力电子(上海) 86-21-34970699
 勝特力电子(深圳) 86-755-83298787
[Http://www.100y.com.tw](http://www.100y.com.tw)

3042 Wrist Strap Grounding System

Grounding of two wrist straps using a common point to ground is possible with the 3042 system. It is easy to identify for this purpose, with a clearly visible ground symbol. Compact in size, it mounts to any flat surface where a wrist strap needs to be connected to a reliable ground. The kit may be mounted on new workstations or retrofitted onto any existing workstation.

Components of the kit include one static dissipative engineering grade plastic housing, one 10-foot grounding cord with multistud ring terminal, strain relief for the grounding cord, two banana jacks built into the housing, and two #8 galvanized, self-tapping Phillips screws.



Product No.	Description
3042	Wrist Strap Grounding System with two banana jacks and one 10 ft. (3.0m) grounding cord.

